

Ready to install Steel Fencing Systems

TS DISTRIBUTORS
System II
steel fencing



Three styles to choose from



Flush Style

Add peace of mind with this stylish fencing.



Overlap Style

Add security and a wrought iron look to any property boundary.



Security Style

Replace your existing chain link fence with this beautiful alternative.

TS DISTRIBUTORS
System II
steel fencing



Construction Highlights

- Highest quality 3 mil powder-coat finish.
- Seal-welded construction.
- 3 1/4" picket gap spacing.
- Fully assembled for fast installation.
- Standard sizes in stock for immediate shipment.
- 3/4" pickets and 1 1/2" rails.
- Heavy 16 gauge steel construction.
- Polyester powder-coat.
- Impact-resistant finish.
- Competitively priced.

TS DISTRIBUTORS

800.392.3655

www.tsdistributors.com

Ready to install Steel Fencing Systems

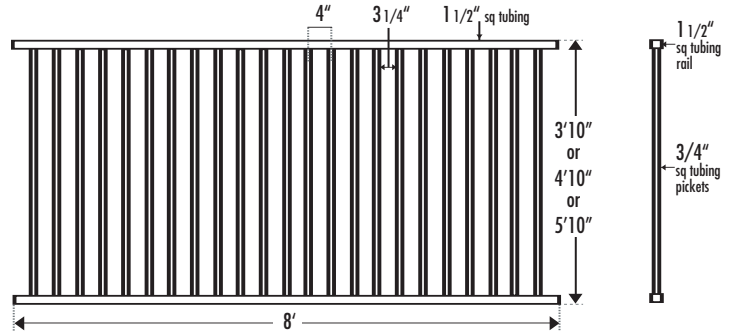
TS DISTRIBUTORS
System II
steel fencing

FLUSH STYLE



Part #	Fence height	Panel width	Picket size	Rail size	Picket spacing	Picket gap
X21148B	4'	8'	3/4"	1 1/2"	4" O.C.	3 1/4"
X21160B	5'	8'	3/4"	1 1/2"	4" O.C.	3 1/4"
X21172B	6'	8'	3/4"	1 1/2"	4" O.C.	3 1/4"

Manufactured in the USA to the highest standards to ensure long-lasting beauty and protection. Meets or exceeds US Consumer Product Safety Commission Safety Barrier Guidelines for Home Pools.



Construction: 3/4" 16 ga. steel tube pickets seal-welded to 1 1/2" top and bottom rails. The panel is then shot blasted and powder-coated.



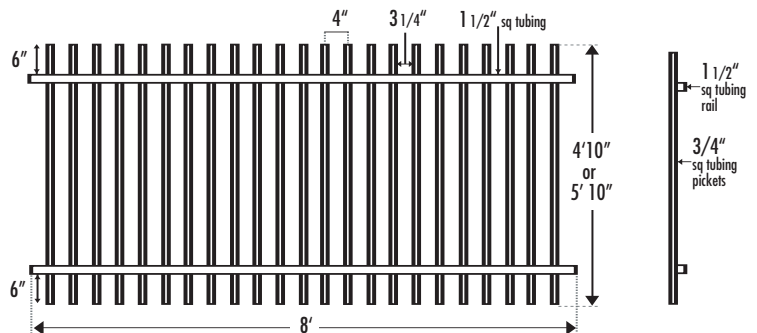
Final Finish: High gloss weld-through, black polyester powder-coat finish.

OVERLAP STYLE



Part #	Fence height	Panel width	Picket size	Rail size	Picket spacing	Picket gap
X23360B	5'	8'	3/4"	1 1/2"	4" O.C.	3 1/4"
X23372B	6'	8'	3/4"	1 1/2"	4" O.C.	3 1/4"

Feel secure and look great. High quality materials and construction make this fence ideal for many applications. The powder-coating benefits include long life and low maintenance.



Pickets should be capped or plugged. See back page for finial and plug details.

Powder Coated Cast Iron Finial or Plastic Finials



Plastic Square Tube Plugs and Caps

Tube Plug



Cap



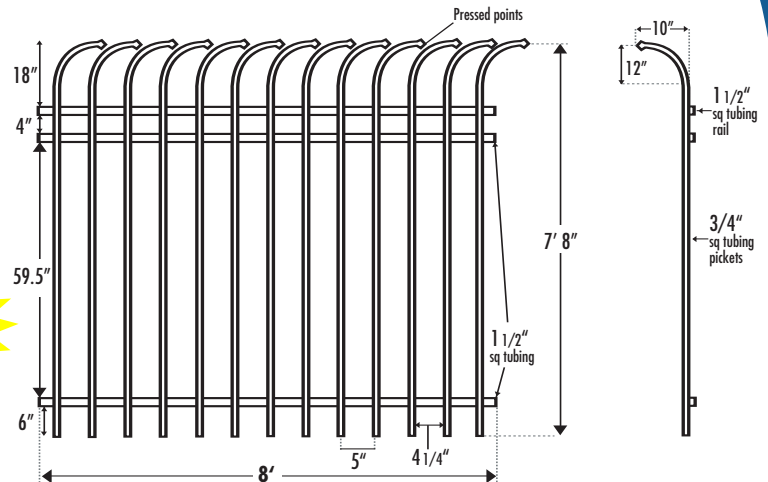
Ready to install Steel Fencing Systems

TS DISTRIBUTORS
System II
steel fencing

SECURITY STYLE



Security with the beauty of wrought iron. This anti-climb security fencing is an excellent alternative to the "prison" look of chain link and barbed wire. Quality three rail, seal-welded construction and durable powder-coat finish create a great looking barrier for maximum protection.



3 rail
for added strength.

Part #	Fence height	Panel width	Picket size	Rail size	Picket spacing	Picket gap
X24492B	7' 8"	8'	3/4"	1 1/2"	5" O.C.	4 1/4"



Construction: 3/4", 16 ga., 8 ft. steel tube is cold pressed and sheared into a spearpoint then bent to the proper angle. The pickets are then seal-welded to the 1 1/2" rails and then the panel is shot blasted and powder coated.



Final Finish: High gloss weld-through, black polyester powder-coat finish.

About the Manufacturing Process

Our fence panels are supplied with a durable polyester powder-coating. The panels can be welded to the posts or attached using our standard mounting hardware.



1. Bigger is Better: Start with the highest quality 16 gauge steel tube. Higher strength 3/4" tube is used for the pickets, instead of the smaller industry standard of 1/2" or 5/8" pickets. The rails are 1 1/2" as opposed to the usual 1" tube.



2. Seal-Weld Construction: All pickets are seal-welded to the rails which creates an air tight seal between the steel. Eliminating gaps and spaces which leave the steel exposed to the elements. There is no place for rust to start. This seal-welding also makes each joint twice as strong.

3. A Clean Start: Unlike other products that are chemically "cleaned", the metal surfaces of our panels are shot blasted to remove all corrosion and prep the surface to a **near white finish**. This leaves the steel ready to accept its new finish with an unbreakable bond.



4. Powder-Coated Perfection: Once the panels are blasted, they are immediately powder-coated with **3 mil thickness** specially formulated polyester powder-coat finish which is extremely durable, scratch and impact resistant.



5. The Final Product: Highest quality materials and workmanship make a durable beautiful fence that will last for years.

Powder-Coated Posts



Part #	Post size	Steel gauge	Post length
XP20657B	2"sq.	16 ga.	7'
XP20658B	2"sq.	16 ga.	8'
XP206510B	2"sq.	16 ga.	10'
XP20838B	2"sq.	14 ga.	8'
XP208310B	2"sq.	14 ga.	10'
XP30838B	3"sq.	14 ga.	8'
XP308310B	3"sq.	14 ga.	10'

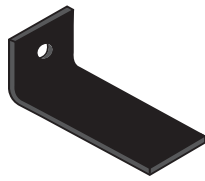


Powder-Coated Mounting Hardware



Straight Mounting Sleeve: For attaching the panels to the posts. 4 needed per panel

Part #	Clip size
XK7B	1 1/2"



Angle Bracket
For attaching panels at an angle.

Part #	Shoe size
XK6B	1 1/2"



Mounting Shoe: Powder-coated zinc shoes will last for ever. For attaching panels to other structures, such as a brick wall.

Part #	Shoe size
XK5B	1 1/2"

Fasteners



Torx Tamper-Resistant
(added security)



Hex-Head Tek Screw
(self drilling)

Part #	Size	Type
TX141	1/4" x 1"	Torx Security Screw
TX14112	1/4" x 1 1/2"	Torx Security Screw
RA14141	1/4" x 1"	Tek Screw Plated
RA14141SS	1/4" x 1"	Tek Screw Stainless Steel

Powder-Coated Cast Iron Finials

Part #	Description	Material
X9X34B	Ball Point	Cast Iron
X6493B	Tripoint	Cast Iron

Ball Point
Material Cast Iron or Plastic

Width 1 1/2"
Height 4 1/4"
For 3/4" picket



Plastic Finials

Black Color

Part #	Description	Material
PSM34	Ball Point	Plastic
PSM2534	Tripoint	Plastic

Tripoint
Material Cast Iron or Plastic

Width 2 1/4"
Height 4 3/8"
For 3/4" picket



Plastic Square Tube Plugs and Caps

High quality plastic plugs keep dirt and moisture out and protects against injury. Snug fit.



Tube Plug



Cap

Part #	Sq. Tube	Tube ga.	Color
Tube Plugs			
PP 34	3/4"	16 ga.	Black
PP 216	2"	16 ga.	Black
PP 214	2"	14 ga.	Black
Cap			
PS 807B	2"	any	Black

Powder-Coated Post Caps

Our powder-coated post caps not only look great they are also functional. They keep rain and rust from getting inside the post.



Cast Iron Ball Cap: Adds classic style to your posts.



Cast Iron Pyramid Cap: Traditional for any design.



Pressed Steel Cap: Inexpensive, but built to last.

Part #	Type	Size
X118B	Cast Iron Ball Cap	2"
X120B	Cast Iron Ball Cap	3"
X807B	Cast Iron Pyramid Cap	2"
X808B	Cast Iron Pyramid Cap	3"
X2B	Pressed Steel Cap	2"
X3B	Pressed Steel Cap	3"

Custom Colors Also Available
Walk and Driveway Gates Coming Soon



4404 Windfern
Houston, TX 77041

main 832.467.5400
fax 832.467.5454

email tsdsales@tsdistributors.com



800.392.3655 www.tsdistributors.com