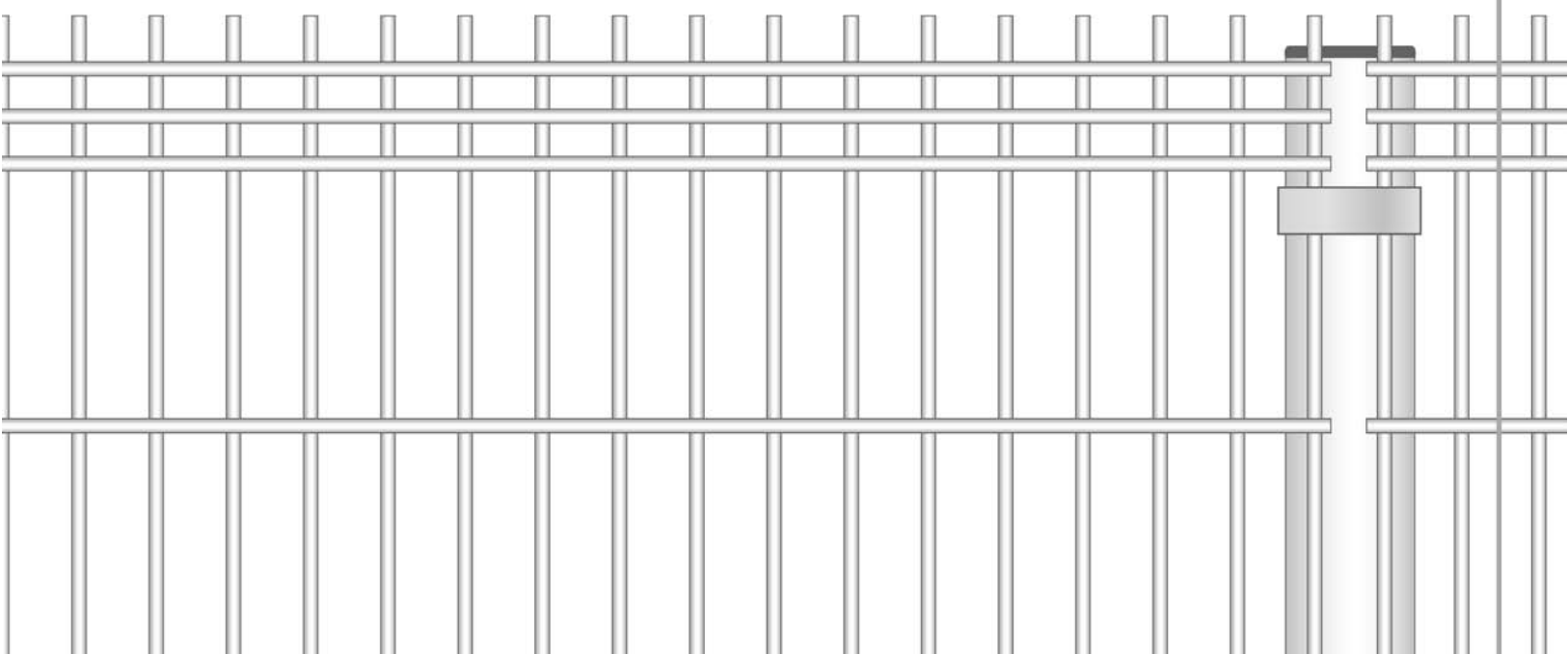




Designmaster™

FENCING SYSTEM



Leading the new fencing generation

> INSTALLATION MANUAL

Harmonizing with Nature



> INDEX

> COMPONENTS & TOOLS	2
> INSTALLATION INSTRUCTIONS FOR INSTALLATION ON LEVEL GROUND	3
> DOORS & GATES	7
> STEEL BRACKET	9

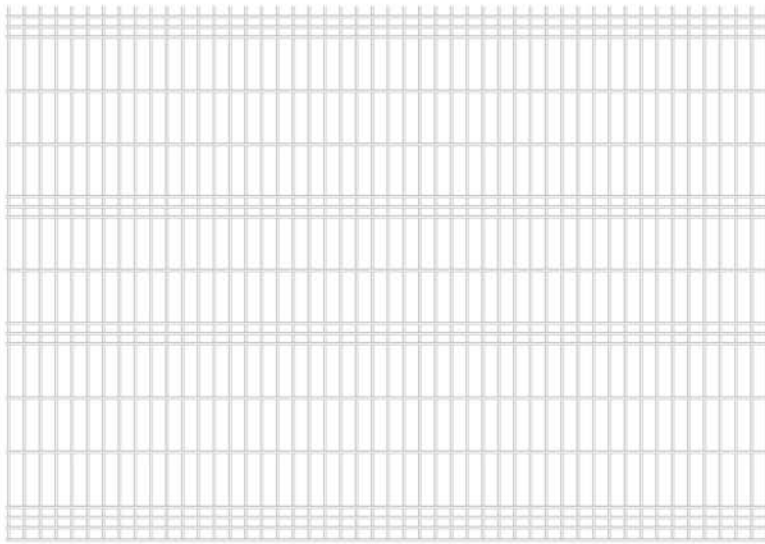


2

> COMPONENTS & TOOLS

Designmaster Fence is simple, easy to install, and does not require any sophisticated equipment or tools.

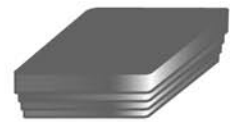
> DESIGNMASTER FENCE PANEL



> POST



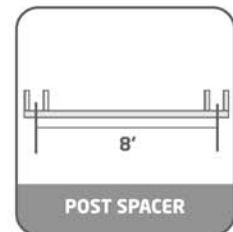
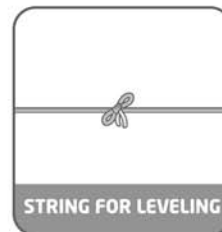
> POST CAP



> STEEL BRACKET



> INSTALLATION & SUPPORT TOOLS



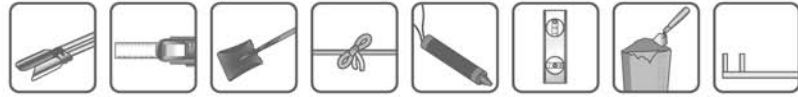
ASK YOUR SALES MANAGER
ABOUT THIS TOOL!

> INSTALLATION

INSTRUCTIONS FOR INSTALLATION ON LEVEL GROUND

3

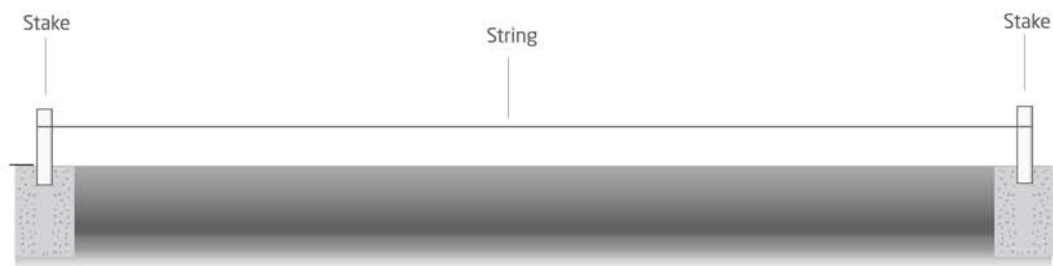
1. POST SETTING



Required tools for this step (page 2)

This is the most important step during installation.

- A. Tie the string for leveling and aligning the posts
- B. Keep the string level and tight in order to determine the slope of the areas.



C. Using a crayon, mark all posts to desired installation height. Example:

For:	Marking position from top
2' panel	25"
4' panel	49"
5' panel	62"
6' panel	73"
8' panel	98"

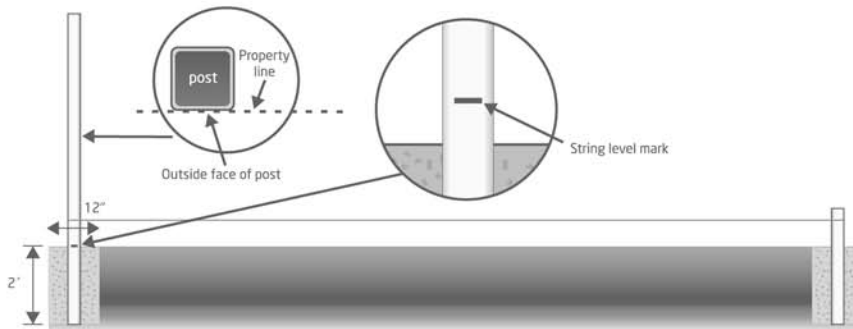
- D. Adjust the string to the lower position without touching the ground and level. This will be the panel's bottom position when installed.
- E. Dig the first hole at 2' deep by 12" diameter, and 3' deep for the 8' panel.
- F. Set the first post into the hole. Align using the crayon's mark and string.

4

> INSTALLATION

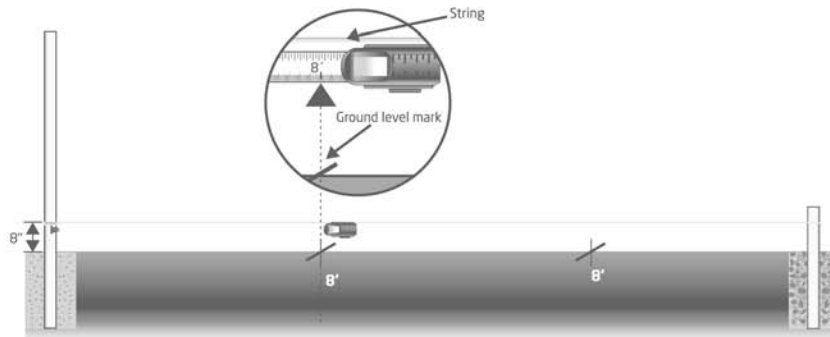
INSTRUCTIONS FOR INSTALLATION ON LEVEL GROUND

G. Fill the hole with concrete mix taking care to keep post's position.

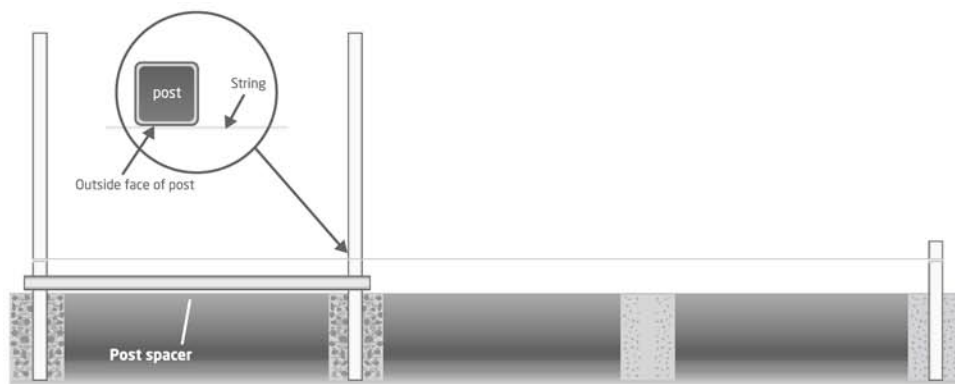


H. Mark the next post position on the ground at 8' distance from the center of the first post.

I. Dig the next hole the same size of the first hole.



J. Place the posts into the holes using the "post spacer" (see page 2) to maintain 8' separation. Level, find the crayon's mark, fill with concrete mix, and repeat the procedure.



> INSTALLATION

INSTRUCTIONS FOR INSTALLATION ON LEVEL GROUND

5

2. ATTACHING THE PANEL



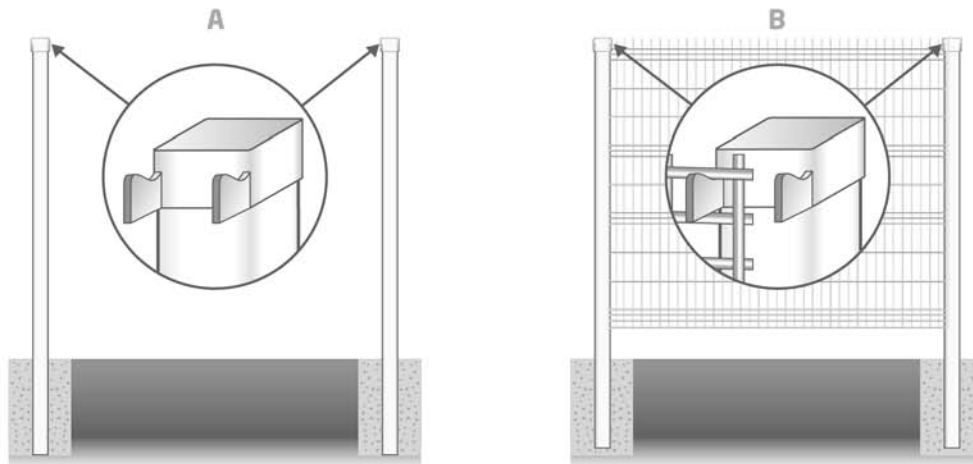
Required tools for this step (page 2)

CONCRETE MUST BE DRY BEFORE YOU CONTINUE WITH THIS STEP.

Note: It is not necessary to use "hanging caps" to install the panels, but using them will help panel installation with only one person.

A. Put a hanging cap on the first, second, and third posts, secure panels with the lock.

B. Hang two panels from the highest horizontal wire. Panels will be at the exact height to be attached.



C. Place the brackets around the first or last vertical wire. The number of brackets needed per post is according to the number of V-braces of the panel. Example:

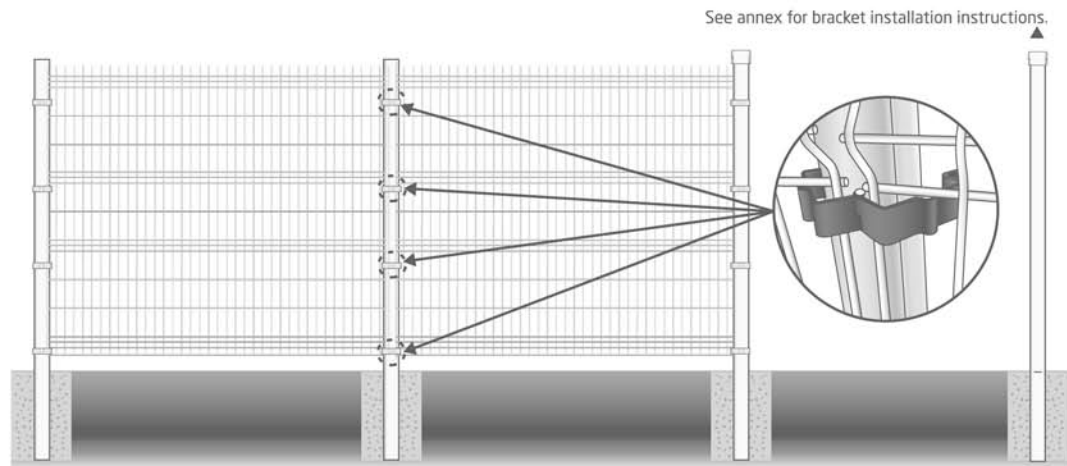
For:	# of brackets
2' panel	2
4' panel	2
5' panel	3
6' panel	4
8' panel	5

6

> INSTALLATION

INSTRUCTIONS FOR INSTALLATION ON LEVEL GROUND

Use one 1/4" x 1 1/4" galvanized screw and a bolt per bracket. For tightening, use a wrench 7/16".



D. Remove the hanging caps and repeat the procedure with the next posts.

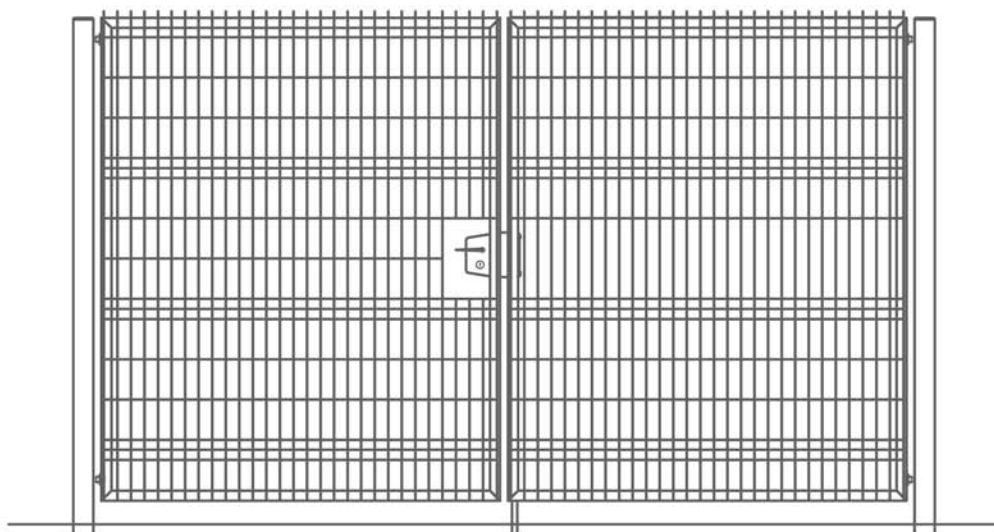
3. FINISHING

A. To prevent rust, finish as needed with touch up paint on scratches.

B. Verify that all posts and brackets have plastic cap on top.

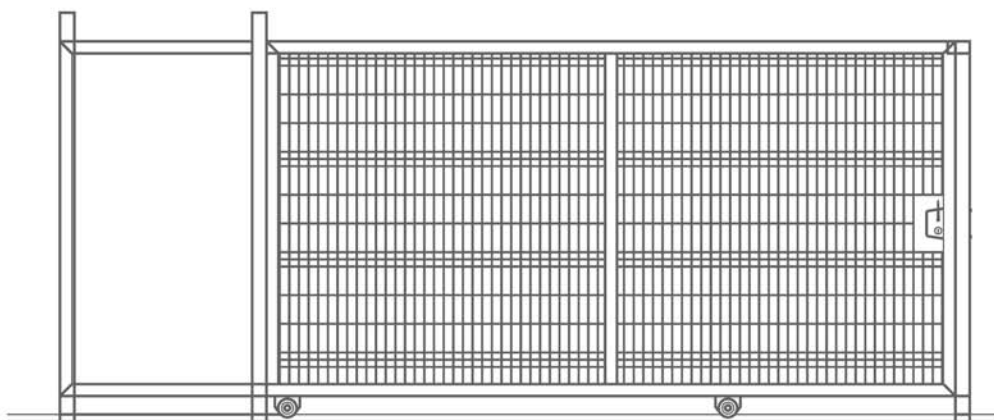
C. Remove all the hanging tools.

1. SWING GATE



SINGLE & DOUBLE

2. SLIDING GATE



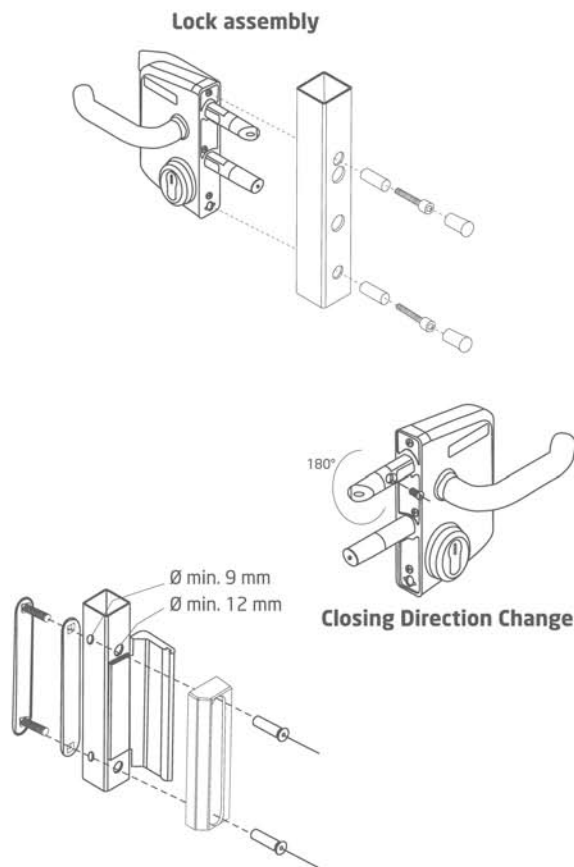
SINGLE & DOUBLE

Recommendations

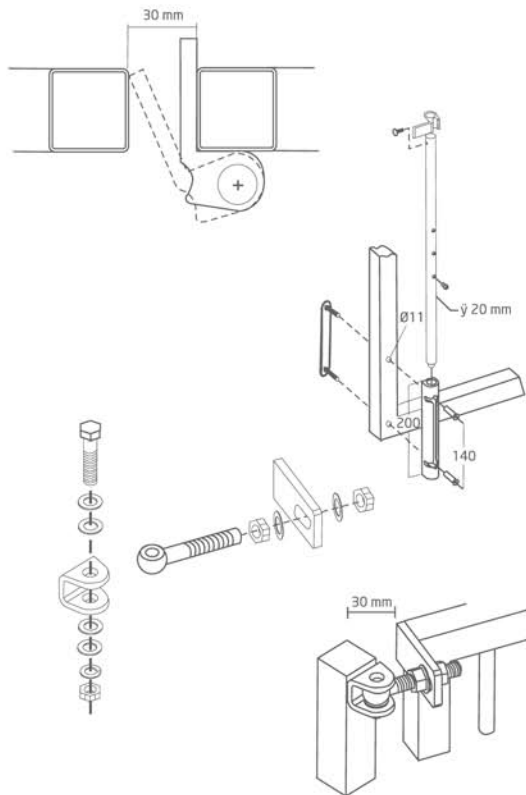
- A. The hinges and drop bolt must be installed inside the property.
- B. Leave 1" gap between frame and posts, and 1" between frames (double gate).
- C. Recommended to use wood block to let the concrete dry.
- D. Loaded post and closing post must be installed aligned and leveled.

3. LOCKS

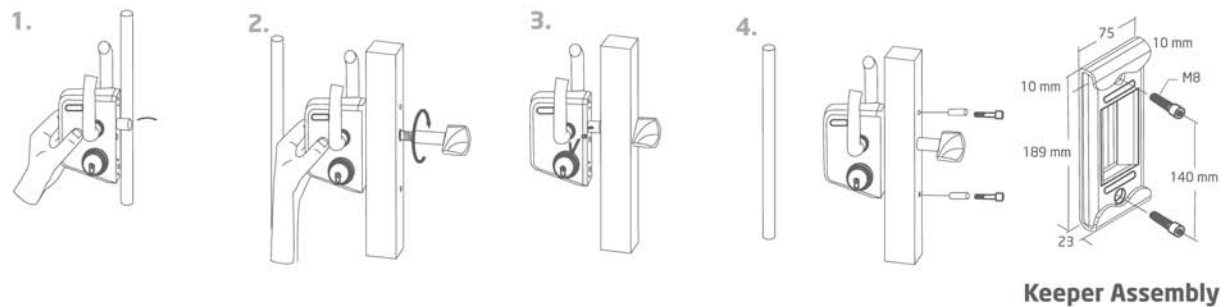
1. Swing Gate Lock & Keeper Assembly



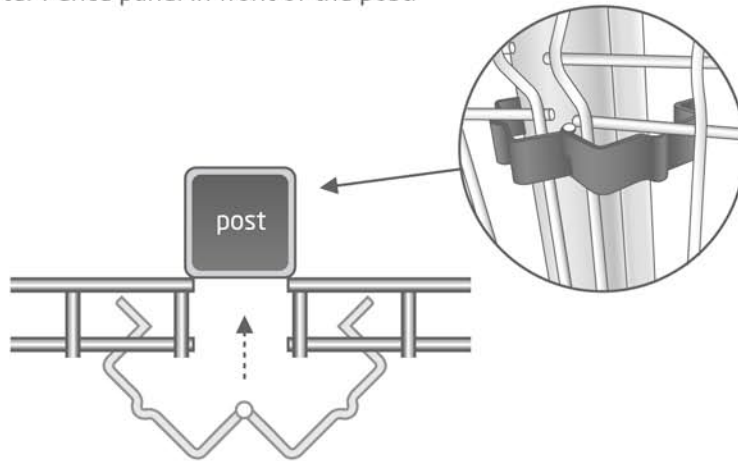
2. Swing Gate Hinge and Drop Bolt Assembly



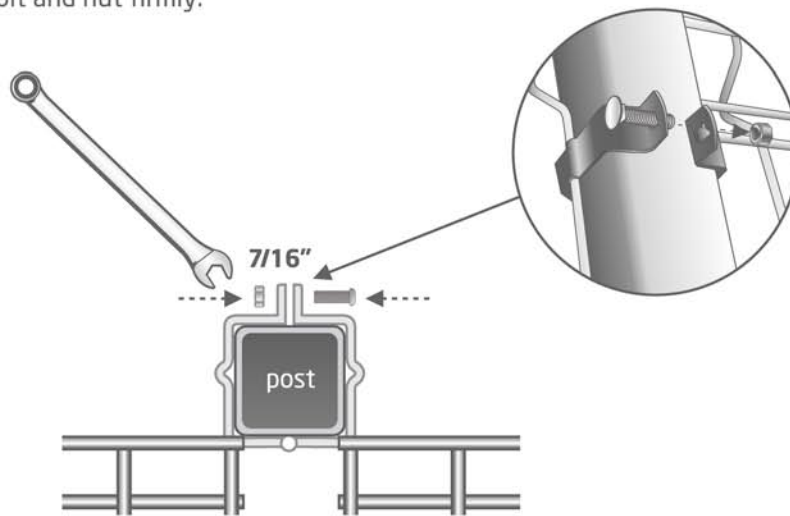
3. Sliding Gate Lock & Keeper Assembly



1. Place Designmaster Fence panel in front of the post.

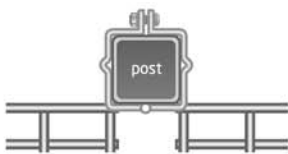


2. Screw the bolt and nut firmly.

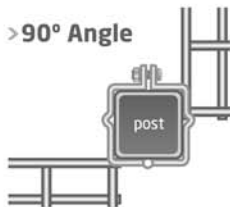


INSTALLATION OPTIONS

> From the front



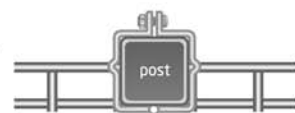
> 90° Angle



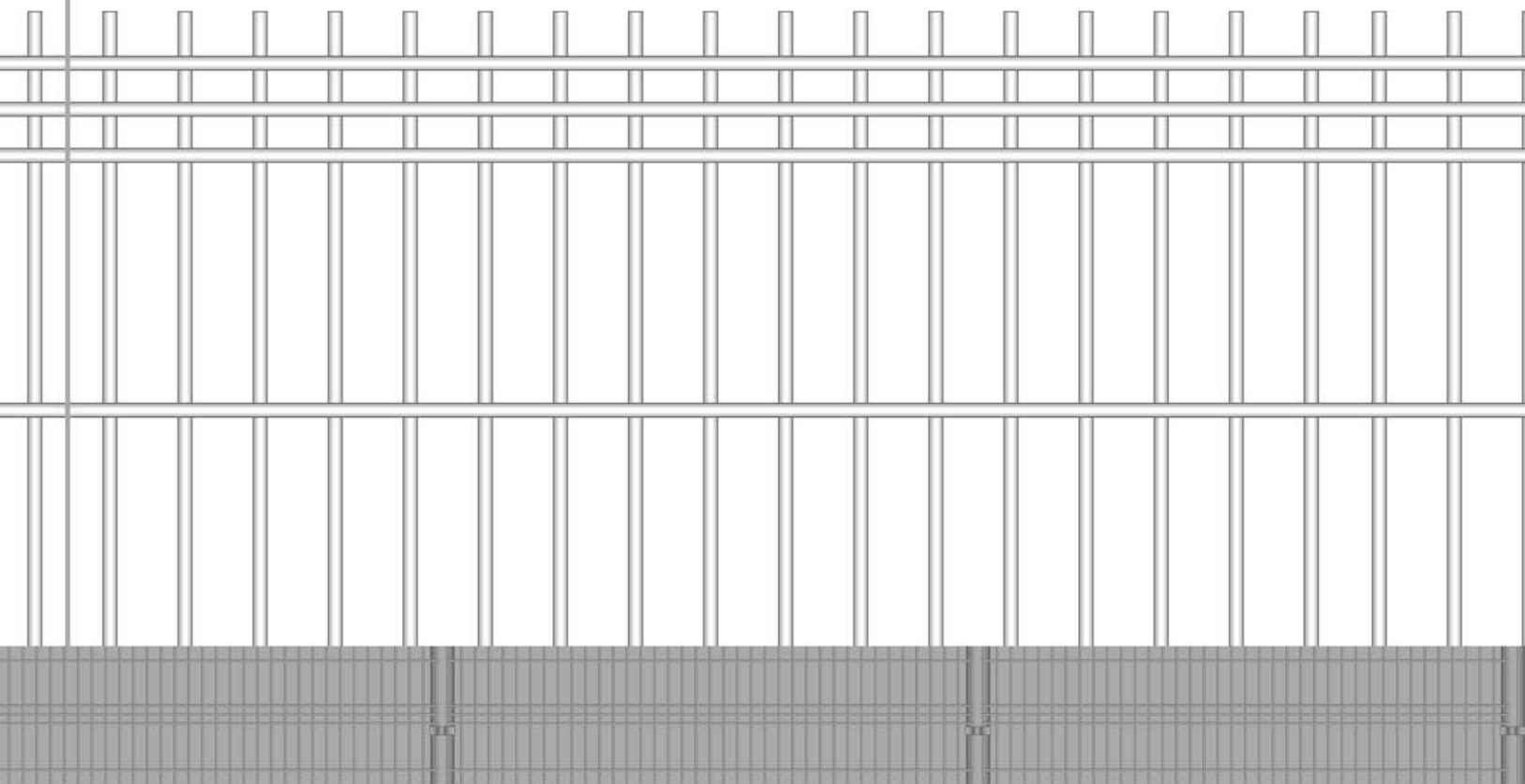
> Different angles



> From the center*



* Requires a different post separation.
For more information contact us.



MANUFACTURED BY



designmasterfence.com

Call toll free:

1 800 332.2376