

DeWALT Industrial Tool Co., 701 East Joppa Road, Baltimore, MD 21286 (MAY04 - 1) Form No. 154725-01
DW501, DW505, DW515 Copyright © 1997, 2002, 2004

The following are trademarks for one or more DeWALT power tools: the yellow and black color scheme; the "D" shaped air intake grill; the array of pyramids on the handgrip; the kit box configuration; and the array of lozenge-shaped humps on the surface of the tool.

Questions? See us on the World Wide Web at www.dewalt.com

**INSTRUCTION MANUAL
GUIDE D'UTILISATION
MANUAL DE INSTRUCCIONES**

INSTRUCTIVO DE OPERACIÓN, CENTROS DE SERVICIO Y PÓLIZA DE GARANTÍA. **ADVERTENCIA:** LÉASE ESTE INSTRUCTIVO ANTES DE USAR EL PRODUCTO.

DEWALT®

DW501/DW505/DW515

1/2" (13mm) and 5/8" (16mm) Heavy Duty Dual Speed Range Hammerdrills

Perceuse à percussion de 13 mm (1/2 po) et 16mm (5/8 po) à deux gammes de vitesses

Rotomartillo de 13 mm (1/2") y 16mm (5/8") para trabajo pesado con doble velocidad

IF YOU HAVE ANY QUESTIONS OR COMMENTS ABOUT THIS OR ANY DEWALT TOOL, CALL US TOLL FREE AT:
1-800-4-DEWALT (1-800-433-9258)

General Safety Rules

⚠ WARNING! READ AND UNDERSTAND ALL INSTRUCTIONS.
Failure to follow all instructions listed below may result in electric shock, fire and/or serious personal injury.


SAVE THESE INSTRUCTIONS

WORK AREA

- **Keep your work area clean and well lit.** Cluttered benches and dark areas invite accidents.
- **Do not operate power tools in explosive atmospheres, such as in the presence of flammable liquids, gases, or dust.** Power tools create sparks which may ignite the dust or fumes.
- **Keep bystanders, children, and visitors away while operating a power tool.** Distractions can cause you to lose control.

ELECTRICAL SAFETY

- **Grounded tools must be plugged into an outlet properly installed and grounded in accordance with all codes and ordinances. Never remove the grounding prong or modify the plug in any way. Do not use any adapter plugs. Check with a qualified electrician if you are in doubt as to whether the outlet is properly grounded.** If the tools should electrically malfunction or break down, grounding provides a low resistance path to carry electricity away from the user. **Applicable only to Class I (grounded) tools.**
- **Double insulated tools are equipped with a polarized plug (one blade is wider than the other.) This plug will fit in a polarized outlet only one way. If the plug does not fit fully in the outlet, reverse the plug. If it still does not fit, contact a qualified electrician to install a polarized outlet. Do not**

change the plug in any way. Double insulation  eliminates the need for the three wire grounded power cord and grounded power supply system. **Applicable only to Class II (double insulated) tools.**

- **Avoid body contact with grounded surfaces such as pipes, radiators, ranges and refrigerators.** There is an increased risk of electric shock if your body is grounded.
- **Don't expose power tools to rain or wet conditions.** Water entering a power tool will increase the risk of electric shock.
- **Do not abuse the cord. Never use the cord to carry the tools or pull the plug from an outlet. Keep cord away from heat, oil, sharp edges or moving parts. Replace damaged cords immediately.** Damaged cords increase the risk of electric shock.
- **When operating a power tool outside, use an outdoor extension cord marked "W-A" or "W."** These cords are rated for outdoor use and reduce the risk of electric shock. When using an extension cord, be sure to use one heavy enough to carry the current your product will draw. An undersized cord will cause a drop in line voltage resulting in loss of power and overheating. The following table shows the correct size to use depending on cord length and nameplate ampere rating. If in doubt, use the next heavier gage. The smaller the gage number, the heavier the cord.

Volts	Minimum Gage for Cord Sets			
	Total Length of Cord in Feet			
120V	0-25	26-50	51-100	101-150
240V	0-50	51-100	101-200	201-300
Ampere Rating		AWG		
More Than	Not more Than			
0	- 6	18	16	16 14
6	- 10	18	16	14 12
10	- 12	16	16	14 12
12	- 16	14	12	Not Recommended

PERSONAL SAFETY

- **Stay alert, watch what you are doing and use common sense when operating a power tool. Do not use tool while tired or under the influence of drugs, alcohol, or medication.** A moment of inattention while operating power tools may result in serious personal injury.
- **Dress properly. Do not wear loose clothing or jewelry. Contain long hair. Keep your hair, clothing, and gloves away from moving parts.** Loose clothing, jewelry, or long hair can be caught in moving parts. Air vents often cover moving parts and should also be avoided.
- **Avoid accidental starting. Be sure switch is off before plugging in.** Carrying tools with your finger on the switch or plugging in tools that have the switch on invites accidents.
- **Remove adjusting keys or switches before turning the tool on.** A wrench or key that is left attached to a rotating part of the tool may result in personal injury.
- **Do not overreach. Keep proper footing and balance at all times.** Proper footing and balance enables better control of the tool in unexpected situations.
- **Use safety equipment. Always wear eye protection.** Dust mask, non-skid safety shoes, hard hat, or hearing protection must be used for appropriate conditions.

TOOL USE AND CARE

- **Use clamps or other practical way to secure and support the workpiece to a stable platform.** Holding the work by hand or against your body is unstable and may lead to a loss of control.
- **Do not force tool. Use the correct tool for your application.** The correct tool will do the job better and safer and the rate for which it is designed.
- **Do not use tool if switch does not turn it on or off.** Any tool that cannot be controlled with the switch is dangerous and must be repaired.
- **Disconnect the plug from the power source before making any adjustments, changing accessories, or storing the tool.**

Such preventative safety measures reduce the risk of starting the tool accidentally.

- **Store idle tools out of reach of children and other untrained persons.** Tools are dangerous in the hands of untrained users.
- **Maintain tools with care. Keep cutting tools sharp and clean.** Properly maintained tools, with sharp cutting edges are less likely to bind and are easier to control.
- **Check for misalignment or binding of moving parts, breakage of parts, and any other condition that may affect the tools operation. If damaged, have the tool serviced before using.** Many accidents are caused by poorly maintained tools.
- **Use only accessories that are recommended by the manufacturer for your model.** Accessories that may be suitable for one tool, may become hazardous when used on another tool.

SERVICE

- **Tool service must be performed only by qualified repair personnel.** Service or maintenance performed by unqualified personnel could result in a risk of injury.
- **When servicing a tool, use only identical replacement parts. Follow instructions in the Maintenance section of this manual.** Use of unauthorized parts or failure to follow Maintenance Instructions may create a risk of electric shock or injury.

Additional Safety Rules for Hammer Drills

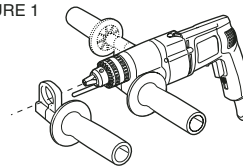
- **Hold tool by insulated gripping surfaces when performing an operation where the cutting tool may contact hidden wiring or its own cord.** Contact with a "live" wire will make exposed metal parts of the tool "live" and shock the operator.
- **Wear safety goggles or other eye protection.** Hammering and drilling operations cause chips to fly. Flying particles can cause permanent eye damage.

- **Wear ear protectors when hammering for extended periods of time.** Temporary hearing loss or serious ear drum damage may result from high sound levels generated by hammer drilling.
- **Always use the side handle supplied with the tool.** Keep a firm grip on the tool at all times. Do not attempt to operate this tool without holding it with both hands.
- **Do not overreach while operating the tool.** Maintain a balanced working stance at all times. When necessary, use only properly positioned, safe, platforms and scaffolding. WORK SAFE.
- **Hammer bits and tools get hot during operation.** Wear gloves when touching them.
- **⚠ CAUTION: DO NOT TOUCH ANY METAL PARTS OF THE TOOL when drilling or driving into walls, floors or wherever live electrical wires may be encountered!** Hold the tool only by insulated grasping surfaces to prevent electric shock if you drill or drive into a live wire.

⚠ WARNING: Some dust created by power sanding, sawing, grinding, drilling, and other construction activities contains chemicals known to cause cancer, birth defects or other reproductive harm. Some examples of these chemicals are:

- lead from lead-based paints,
 - crystalline silica from bricks and cement and other masonry products, and
 - arsenic and chromium from chemically-treated lumber (CCA).
- Your risk from these exposures varies, depending on how often you do this type of work. To reduce your exposure to these chemicals: work in a well ventilated area, and work with approved safety equipment, such as those dust masks that are specially designed to filter out microscopic particles.
- **Avoid prolonged contact with dust from power sanding, sawing, grinding, drilling, and other construction activities. Wear protective clothing and wash exposed areas with soap and water.** Allowing dust to get into your mouth, eyes, or lay on the skin may promote absorption of harmful chemicals.

FIGURE 1



⚠ CAUTION: Wear appropriate hearing protection during use. Under some conditions and duration of use, noise from this product may contribute to hearing loss.

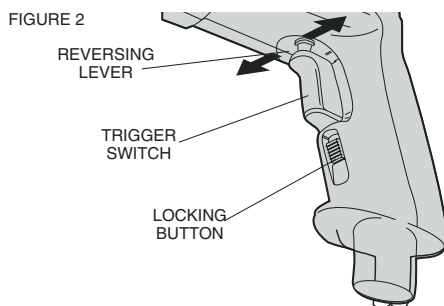
- The label on your tool may include the following symbols.

Vvolts
Aamperes
Hzhertz
Wwatts
minminutes
~alternating current
===direct current
n ₀no load speed
□Class II Construction
.../minrevolutions or reciprocation per minute
BPMbeats per minute

Side Handle

⚠ CAUTION: Always use side handle when provided and hold hammerdrill with both hands.

A side handle is supplied with this hammerdrill. It clamps to the front of the gear case as shown in Figure 1 and can be rotated 360° to permit right or left hand use.



Switch

To start hammerdrill, depress the trigger switch (Figure 2). To stop hammerdrill, release the switch. To lock the trigger switch in the ON position for continuous operation, depress the trigger switch and push up the **locking button**. The tool will continue to run. To turn the tool OFF, from a locked ON condition, squeeze and release the trigger once. Before using the tool (each time), be sure that the locking button release mechanism is working freely.

Do not lock the switch ON when drilling by hand so that you can instantly release the trigger switch if the bit binds in the hole. The locking button is for use only when the hammerdrill is mounted in a drill press stand or other wise held stationary. Be sure to release the locking mechanism before disconnecting the plug from the power supply. Failure to do so will cause the hammerdrill to start immediately the next time it is plugged in. Damage or injury could result.

The **variable speed trigger switch** permits speed control. The farther the trigger switch is depressed, the higher the speed of the hammerdrill.

NOTE: Use lower speeds for starting holes without a centerpunch, drilling in metal, plastics or ceramics, or driving screws. Higher speeds are better for drilling in wood and composition board and for using abrasive and polishing accessories.

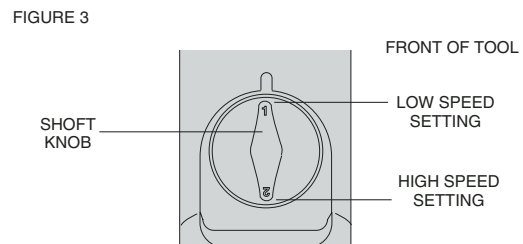
The **reversing lever** is used to reverse the hammerdrill for backing out screws or jammed bits. It is located above the trigger, shown in Figure 2. To reverse the hammerdrill, turn it OFF and push the reversing lever to the left (when viewed from the chuck end). To position the lever for forward operation, turn the hammerdrill OFF and push the lever to the right.

High/Low Speed Operation

The two speed gear drive in the dual range hammer drill permits effective operation over an extended range of applications with greater selection of accessories.

For **LOW SPEED** operation, the shift knob (see Figure 3) located on the underside of the hammerdrill should be rotated so the "low speed" graphic is toward the front of the tool.

For **HIGH SPEED** operation, should be rotated so the "high speed" graphic is toward the front of the tool.



The gear train has been designed for shifting only when the unit is off. It may be necessary however, to rotate the chuck slightly by hand to align the gears while turning the shift knob. **DO NOT ATTEMPT TO CHANGE SPEEDS** by turning the shift knob when the tool is running. Doing so will damage the gear train.

Hammer/Drill Selector

To switch the tool from the drilling mode to the hammering mode (or vice-versa) rotate the dial on the applicable symbol shown in Figure 4. For straight drilling, align the drill bit symbol toward the chuck. For hammering, align the hammer symbol with the chuck, as shown in the figure. **NOTE:** The selector must be in either drill, or hammer/drill mode at all times. There are no operable positions between the two.

Chuck

To insert bit, open chuck jaws by turning collar with fingers and insert shank of bit about 3/4" (19mm) into chuck. Tighten chuck collar by hand. Place chuck key in each of the three holes and tighten in clockwise direction. It's important to tighten chuck with all three holes. **To release bit,** turn chuck key counterclockwise in just one hole, then loosen the chuck by hand.

Operation

DRILLING

1. Always unplug the drill when attaching or changing bits or accessories.
2. Use sharp drill bits only. For WOOD, use the low speed setting and twist drill bits, spade bits, power auger bits, or hole saws. For METAL, use the low speed setting and steel twist drill bits or hole saws. For MASONRY, such as brick, cement, cinder block, etc., use carbide-tipped bits rated for percussion drilling. Use low speed for bits greater than 3/8".
3. Be sure the material to be drilled is anchored or clamped firmly. If drilling thin material, use a wood "back-up" block to prevent damage to the material.

4. Always apply pressure in a straight line with the bit. Use enough pressure to keep drill biting, but do not push hard enough to stall the motor or deflect the bit.
5. Hold tool firmly to control the twisting action of the drill.
6. **IF DRILL STALLS,** it is usually because it is being overloaded or improperly used. **RELEASE TRIGGER IMMEDIATELY,** remove drill bit from work, and determine cause of stalling. **DO NOT CLICK TRIGGER OFF AND ON IN AN ATTEMPT TO START A STALLED DRILL — THIS CAN DAMAGE THE DRILL.**
7. To minimize stalling or breaking through the material, reduce pressure on drill and ease the bit through the last fractional part of the hole.
8. Keep the motor running when pulling the bit back out of a drilled hole. This will help prevent jamming.
9. With variable speed drills there is no need to center punch the point to be drilled. Use a slow speed to start the hole and accelerate by squeezing the trigger harder when the hole is deep enough to drill without the bit skipping out.

DRILLING IN METAL

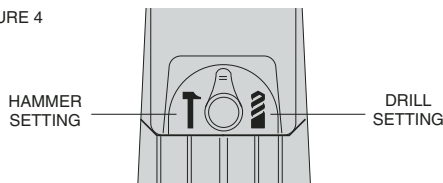
USE ONLY in the "low speed" gear range. Start drilling with slow speed and increase to full power while applying firm pressure on the tool. A smooth even flow of metal chips indicates the proper drilling rate. Use a cutting lubricant when drilling metals. The exceptions are cast iron and brass which should be drilled dry. The cutting lubricants that work best are sulphurized cutting oil or lard oil; bacon-grease will also serve the purpose.

NOTE: Large (5/16" to 1/2") holes in steel can be made easier if a pilot hole (5/32" to 3/16") is drilled first.

DRILLING IN WOOD

USE ONLY in the "low speed" gear range. Start drilling with slow speed and increase to full power while applying firm pressure on the tool. Holes in wood can be made with the same twist drills used

FIGURE 4



for metal. These bits may overheat unless pulled out frequently to clear chips from the flutes. Work that is apt to splinter should be backed up with a block of wood.

DRILLING IN MASONRY

When drilling in masonry, use carbide tipped bits rated for percussion drilling and be certain that the bit is sharp. For holes up to 3/8" diameter use the "high speed" gear range. For holes larger than 3/8", use the the "low speed" gear range. Ensure that the hammer mode is selected. Use a constant and firm force on the tool to drill most effectively. A smooth, even flow of dust indicates the proper drilling rate.

Depth Rod

To adjust the depth rod, loosen the handle and move rod so that the distance between the end of the rod and the end of the bit equals the desired drilling depth. When drilling with depth rod, stop when end of rod reaches surface of material.

Maintenance

CLEANING & LUBRICATION

Use only mild soap and damp cloth to clean the tool. Never let any liquid get inside the tool; never immerse any part of the tool into a liquid.

Self-lubricating bearings are used in the tool and periodic relubrication is not required. In the unlikely event that service is ever needed, take your tool to an authorized service location.

Accessories

Recommended accessories for use with your tool are available at extra cost from your distributor or local service center.

CAUTION: The use of any non-recommended accessory may be hazardous.

MAXIMUM RECOMMENDED CAPACITIES

	DW505	DW515
CHUCK CAPACITY	1/2"	5/8"
R.P.M.	0-1,100 0-2,700	0-900 - 0-2,200
BITS, METAL DRILLING	3/8" - Low speed	3/4" Low speed
WOOD, FLAT BORING	1 1/2" - Low speed	1-1/2" Low speed
BITS, MASONRY DRILLING	3/4" Soft materials	5/8" Soft Materials
	Low speed	Low speed
	1/2" Concrete	5/8" Concrete
	Low speed	Low speed
HOLE SAWS	2-1/8" - Low speed	4" Low speed

Important

To assure product SAFETY and RELIABILITY, repairs, maintenance and adjustment (including brush inspection and replacement) should be performed by authorized service centers or other qualified service organizations, always using identical replacement parts.

Three Year Limited Warranty

DeWALT will repair, without charge, any defects due to faulty materials or workmanship for three years from the date of purchase. This warranty does not cover part failure due to normal wear or tool abuse. For further detail of warranty coverage and warranty repair

information, visit www.dewalt.com or call 1-800-4-DEWALT (1-800-433-9258). This warranty does not apply to accessories or damage caused where repairs have been made or attempted by others. This warranty gives you specific legal rights and you may have other rights which vary in certain states or provinces.

In addition to the warranty, DeWALT tools are covered by our:

1 YEAR FREE SERVICE

DeWALT will maintain the tool and replace worn parts caused by normal use, for free, any time during the first year after purchase.

90 DAY MONEY BACK GUARANTEE

If you are not completely satisfied with the performance of your DeWALT Power Tool, Laser, or Nailer for any reason, you can return it within 90 days from the date of purchase with a receipt for a full refund – no questions asked.

FREE WARNING LABEL REPLACEMENT: If your warning labels become illegible or are missing, call 1-800-4-DEWALT for a free replacement.

POUR TOUT RENSEIGNEMENT SUPPLÉMENTAIRE SUR CET OUTIL OU TOUT AUTRE OUTIL DEWALT, COMPOSER SANS FRAIS LE NUMÉRO : 1 800 4-DEWALT (1 800 433-9258)

RÈGLES DE SÉCURITÉ GÉNÉRALES


⚠ AVERTISSEMENT! Vous devez lire et comprendre toutes les instructions. Le non-respect, même partiel, des instructions ci-après entraîne un risque de choc électrique, d'incendie et/ou de blessures graves.

CONSERVEZ CES INSTRUCTIONS.

AIRE DE TRAVAIL

- **Veillez à ce que l'aire de travail soit propre et bien éclairée.** Le désordre et le manque de lumière favorisent les accidents.
- **N'utilisez pas d'outils électriques dans une atmosphère explosive, par exemple en présence de liquides, de gaz ou de poussières inflammables.** Les outils électriques créent des étincelles qui pourraient enflammer les poussières ou les vapeurs.
- **Tenez à distance les curieux, les enfants et les visiteurs pendant que vous travaillez avec un outil électrique.** Ils pourraient vous distraire et vous faire faire une fausse manœuvre.

SÉCURITÉ ÉLECTRIQUE

- **Les outils à double isolation sont équipés d'une fiche polarisée (une des lames est plus large que l'autre), qui ne peut se brancher que d'une seule façon dans une prise polarisée. Ne modifiez pas la fiche de l'outil.** La double isolation  élimine le besoin d'un cordon d'alimentation à trois fils avec mise à la terre ainsi que d'une prise de courant mise à la terre. Valable seulement pour les outils de classe I (mis à la terre).
- **Évitez tout contact corporel avec des surfaces mises à la terre (tuyauterie, radiateurs, cuisinières, réfrigérateurs,**

etc.). Le risque de choc électrique est plus grand si votre corps est en contact avec la terre. **Valable seulement pour les outils de classe II (à double isolation).**

- **N'exposez pas les outils électriques à la pluie ou à l'eau.** La présence d'eau dans un outil électrique augmente le risque de choc électrique.
- **Ne maltraitez pas le cordon. Ne transportez pas l'outil par son cordon et ne débranchez pas la fiche en tirant sur le cordon. N'exposez pas le cordon à la chaleur, à des huiles, à des arêtes vives ou à des pièces en mouvement. Remplacez immédiatement un cordon endommagé.** Un cordon endommagé augmente le risque de choc électrique.
- **Lorsque vous utilisez un outil électrique à l'extérieur, employez un prolongateur pour l'extérieur marqué «W-A» ou «W».** Ces cordons sont faits pour être utilisés à l'extérieur et réduisent le risque de choc électrique. S'assurer que le cordon de rallonge est en bon état. Lorsqu'on se sert d'un cordon de rallonge, s'assurer qu'il est de calibre approprié pour la tension nécessaire au fonctionnement de l'outil. L'utilisation d'un cordon de calibre inférieur occasionne une baisse de tension entraînant une perte de puissance et la surchauffe. Le tableau suivant indique le calibre approprié selon la longueur du cordon et les mentions de la plaque signalétique de l'outil. En cas de doute, utiliser un cordon de calibre supérieur. Le chiffre indiquant le calibre est inversement proportionnel au calibre du cordon.

Calibre minimal des cordons de rallonge

Tension	Longueur totale du cordon en pieds			
	0-25	26-50	51-100	101-150
120 V				
240 V	0-50	51-100	101-200	201-300
Intensité (A)	Calibre moyen de fil (AWG)			
	Au moins	Au plus		
0	6	18	16	14
6	10	18	16	12
10	12	16	14	12
12	16	14	12	Non recommandé

SÉCURITÉ DES PERSONNES

- **Restez alerte, concentrez-vous sur votre travail et faites preuve de jugement. N'utilisez pas un outil électrique si vous êtes fatigué ou sous l'influence de drogues, d'alcool ou de médicaments.** Un instant d'inattention suffit pour entraîner des blessures graves.
- **Habillez-vous convenablement. Ne portez ni vêtements flottants ni bijoux. Confinez les cheveux longs. N'approchez jamais les cheveux, les vêtements ou les gants des pièces en mouvement.** Des vêtements flottants, des bijoux ou des cheveux longs risquent d'être happés par des pièces en mouvement.
- **Méfiez-vous d'un démarrage accidentel. Avant de brancher l'outil, assurez-vous que son interrupteur est sur ARRÊT.** Le fait de transporter un outil avec le doigt sur la détente ou de brancher un outil dont l'interrupteur est en position MARCHÉ peut mener tout droit à un accident.
- **Enlevez les clés de réglage ou de serrage avant de démarrer l'outil.** Une clé laissée dans une pièce tournante de l'outil peut provoquer des blessures.
- **Ne vous penchez pas trop en avant. Maintenez un bon appui et restez en équilibre en tout temps.** Une bonne stabilité vous permet de mieux réagir à une situation inattendue.
- **Utilisez des accessoires de sécurité. Portez toujours des lunettes ou une visière.** Selon les conditions, portez aussi un masque antipoussière, des bottes de sécurité antidérapantes, un casque protecteur et/ou un appareil antibruit.

UTILISATION ET ENTRETIEN DES OUTILS

- **Immobilisez le matériau sur une surface stable au moyen de brides ou de toute autre façon adéquate.** Le fait de tenir la pièce avec la main ou contre votre corps offre une stabilité insuffisante et peut amener un dérapage de l'outil.
- **Ne forcez pas l'outil. Utilisez l'outil approprié à la tâche.** L'outil correct fonctionne mieux et de façon plus sécuritaire. Respectez aussi la vitesse de travail qui lui est propre.

- **N'utilisez pas un outil si son interrupteur est bloqué.** Un outil que vous ne pouvez pas commander par son interrupteur est dangereux et doit être réparé.
- **Débranchez la fiche de l'outil avant d'effectuer un réglage, de changer d'accessoire ou de ranger l'outil.** De telles mesures préventives de sécurité réduisent le risque de démarrage accidentel de l'outil.
- **Rangez les outils hors de la portée des enfants et d'autres personnes inexpérimentées.** Les outils sont dangereux dans les mains d'utilisateurs novices.
- **Prenez soin de bien entretenir les outils. Les outils de coupe doivent être toujours bien affûtés et propres.** Des outils bien entretenus, dont les arêtes sont bien tranchantes, sont moins susceptibles de coincer et plus faciles à diriger.
- **Soyez attentif à tout désalignement ou coincement des pièces en mouvement, à tout bris ou à toute autre condition préjudiciable au bon fonctionnement de l'outil. Si vous constatez qu'un outil est endommagé, faites-le réparer avant de vous en servir.** De nombreux accidents sont causés par des outils en mauvais état.
- **N'utilisez que des accessoires que le fabricant recommande pour votre modèle d'outil.** Certains accessoires peuvent convenir à un outil, mais être dangereux avec autre.

RÉPARATION

- **La réparation des outils électriques doit être confiée à un réparateur qualifié.** L'entretien ou la réparation d'un outil électrique par un amateur peut avoir des conséquences graves.
- **Pour la réparation d'un outil, n'employez que des pièces de rechange d'origine. Suivez les directives données à la section «Réparation» de ce manuel.** L'emploi de pièces non autorisées ou le non-respect des instructions d'entretien peut créer un risque de choc électrique ou de blessures.
- **Tenez l'outil par ses surfaces de prise isolées pendant toute opération où l'outil de coupe pourrait venir en contact avec un câblage dissimulé ou avec son propre cordon.** En cas de

contact avec un conducteur sous tension, les pièces métalliques à découvert de l'outil transmettraient un choc électrique à l'utilisateur.

Mesures de sécurité additionnelles

- **Saisir les surfaces isolées de l'outil lorsqu'on s'en sert là où il pourrait y avoir des fils sous tension et lorsqu'il pourrait entrer en contact avec son propre fil.** En cas de contact avec un fil sous tension, les composantes métalliques à découvert de l'outil deviendraient sous tension et l'utilisateur subirait des secousses électriques.
- **S'assurer que les poignées sont propres, libres de toute tache d'huile et de graisse.** Il est conseillé de porter des gants en caoutchouc afin d'optimiser la maîtrise de l'outil.
- **Lorsqu'on perce ou on visse dans les murs, les planchers ou tout autre endroit où peuvent se trouver des fils sous tension, NE PAS TOUCHER À TOUT COMPOSANT MÉTALLIQUE DE L'OUTIL.** Ne le saisir que par ses surfaces de prise en plastique afin de se protéger des secousses électriques que provoqueraient le contact du foret ou de la lame avec un fil sous tension.

⚠ AVERTISSEMENT : Certains outils, tels que les sableuses électriques, les scies, les meules, les perceuses ou certains autres outils de construction, peuvent soulever de la poussière contenant des produits chimiques susceptibles d'entraîner le cancer, des malformations congénitales ou pouvant être nocifs pour le système reproductif. Parmi ces produits chimiques, on retrouve :

- le plomb dans les peintures à base de plomb;
- la silice cristalline dans les briques et le ciment et autres produits de maçonnerie;
- l'arsenic et le chrome dans le bois de sciage ayant subi un traitement chimique (CCA).

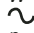


Le risque associé à de telles expositions peut varier selon la fréquence avec laquelle on effectue ces travaux. Pour réduire l'exposition à de tels produits, il faut travailler dans un endroit bien ventilé et utiliser l'équipement de sécurité approprié tel un masque

anti-poussières spécialement conçu pour filtrer les particules microscopiques.

- **Éviter tout contact prolongé avec la poussière soulevée par cet outil ou autres outils électriques. Porter des vêtements de protection et nettoyer les parties exposées du corps avec de l'eau savonneuse.** S'assurer de bien se protéger afin d'éviter d'absorber par la bouche, les yeux ou la peau des produits chimiques nocifs.

⚠ MISE EN GARDE : porter un dispositif de protection personnel anti-bruit approprié durant l'utilisation. Sous certaines conditions et pendant toute la durée de l'utilisation, le bruit émanant de ce produit pourrait contribuer à la perte d'audition.

- L'étiquette de l'outil peut comporter les symboles suivants.

V	volts	A	ampères
Hz	hertz	W	watts
min	minutes		courant alternatif
====	courant continu	n ₀	sous vide
	construction de	.../min	tours ou courses
	classe II		à la minute
	borne de mise à la terre		

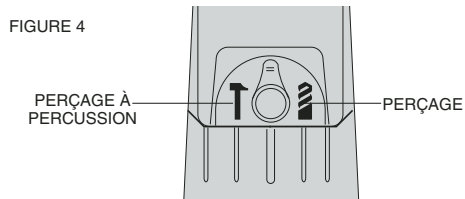
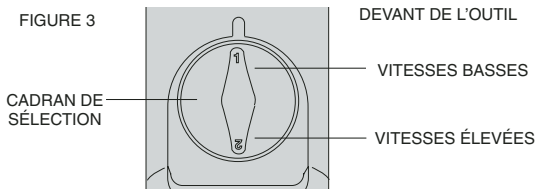
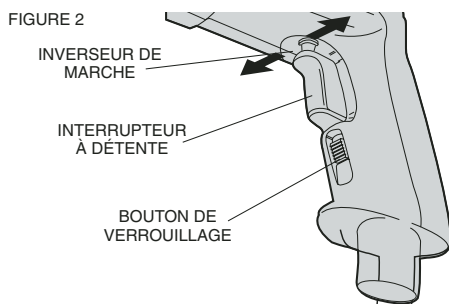
Poignée latérale

⚠ MISE EN GARDE : Toujours utiliser la poignée latérale le cas échéant et saisir la perceuse à percussion des deux mains.

La perceuse à percussion comporte une poignée latérale. Celle-ci se fixe au boîtier d'engrenages à l'avant de l'outil (fig. 1) et on peut la faire tourner sur 360° de façon à être utile autant aux gauchers qu'aux droitiers.

Interrupteur

Enfoncer l'interrupteur à détente pour mettre l'outil en marche (fig. 2). Pour l'arrêter, il suffit de relâcher l'interrupteur. Pour assurer le fonctionnement continu de l'outil, il suffit d'enfoncer la détente et de pousser le **bouton de verrouillage** vers le haut. L'outil continue



alors de fonctionner. Pour arrêter l'outil lorsqu'il est en mode de fonctionnement continu, enfoncer l'interrupteur à fond et le relâcher. Toujours s'assurer que le bouton de verrouillage fonctionne bien avant d'utiliser l'outil (chaque fois).

Ne pas verrouiller l'interrupteur lorsqu'on effectue des travaux de perçage manuels de manière à relâcher instantanément l'interrupteur si le foret reste coincé. Il faut seulement utiliser le bouton de verrouillage lorsque la perceuse est installée sur un établi ou fixée de toute autre façon. Veiller à ce que le bouton de verrouillage soit dégagé avant de débrancher l'outil, sinon celui-ci se remettra immédiatement en marche la prochaine fois qu'on s'en servira et cela présente des risques de dommages et de blessures.

Le **régulateur de vitesse** permet de contrôler la vitesse de l'outil. Plus on enfonce l'interrupteur à détente, plus l'outil fonctionne rapidement.

NOTE : Afin de maximiser la durée de l'outil, se servir des basses vitesses uniquement pour l'amorçage de trous sans utiliser un poinçon au préalable, pour percer les métaux, les plastiques et la céramique ou pour enfoncer des vis. Les vitesses élevées conviennent mieux au perçage du bois et des panneaux ainsi que pour utiliser des accessoires de ponçage et de polissage.

L'**inverseur de marche** sert à sortir les vis ou les forets bloqués. Il se trouve au-dessus de l'interrupteur à détente, comme le montre la figure 2. Pour actionner la marche arrière, il faut mettre l'outil hors tension et faire glisser l'inverseur de marche vers la gauche (lorsqu'on regarde le mandrin). Remettre l'inverseur à la marche avant en arrêtant d'abord l'outil et en faisant glisser l'inverseur vers la droite.

Fonctionnement à vitesses basses ou élevées

Les deux gammes de vitesses de la perceuse à percussion procurent un fonctionnement efficace pour une gamme complète d'utilisations avec un grand choix d'accessoires.

Pour utiliser les VITESSES BASSES, faire tourner le cadran de sélection (fig. 3) qui se trouve sous la perceuse à percussion de sorte que le symbole des vitesses basses se trouve à l'avant de l'outil.

Pour utiliser les VITESSES ÉLEVÉES, faire tourner le cadran de sélection de sorte que le symbole des vitesses élevées se trouve à l'avant de l'outil.

On peut seulement modifier la position des engrenages lorsque l'outil est hors tension. Il peut toutefois être nécessaire de faire tourner le mandrin légèrement à la main afin d'aligner les engrenages lorsqu'on fait tourner le cadran de sélection. **NE PAS TENTER DE MODIFIER LE RÉGIME DE L'OUTIL** en actionnant le cadran de sélection lorsque l'outil fonctionne au risque d'endommager les engrenages.

Sélecteur du mode de fonctionnement

Pour passer du mode de perçage à celui de perçage à percussion (ou vice versa), faire tourner le cadran qui se trouve sur le dessus de l'outil (fig. 4) en choisissant le symbole approprié. Pour percer, aligner le symbole du foret sur le mandrin. Pour percer à percussion, aligner celui du marteau sur le mandrin (voir la figure).

NOTE : Le sélecteur doit être dans l'une ou l'autre de ces positions en tout temps. Il n'y a aucun mode de fonctionnement entre ces deux positions.

Mandrin

Pour insérer un foret, ouvrir les mâchoires du mandrin en faisant tourner la bague à la main et y insérer environ 3/4 po de l'arbre du foret. Resserrer la bague du mandrin à la main. Placer la clé du mandrin dans chacun des trois trous et serrer dans le sens horaire. Il est essentiel de bien serrer les trois trous du mandrin afin de prévenir le glissement du foret. **Pour dégager le foret**, il suffit de faire tourner la clé du mandrin dans le sens antihoraire dans l'un des trous, puis de desserrer le mandrin à la main.

Fonctionnement

PERÇAGE

1. Toujours débrancher l'outil lorsqu'on en change les forets ou les accessoires.
2. N'utiliser que des forets bien affûtés. Pour le BOIS : utiliser les vitesses basses et des forets hélicoïdaux, à langue d'aspic, de tarière ou des emporte-pièce; pour le MÉTAL : utiliser les vitesses basses et des forets hélicoïdaux en acier de coupe rapide ou des emporte-pièce; pour la MAÇONNERIE (brique, ciment et béton, etc.) : forets au carbure pour le perçage à percussion. Utiliser les vitesses basses pour les forets de plus de 3/8 po de diamètre.
3. Veiller à ce que la pièce à percer soit solidement retenue ou fixée en place. Afin d'éviter les avaries aux matériaux minces, les adosser à un bloc de bois épais.
4. Toujours exercer la pression en ligne directe avec le foret. N'user que de la force qu'il faut pour que le foret continue de percer; éviter de trop forcer, ce qui pourrait faire caler le moteur ou dévier le foret.
5. Saisir fermement la perceuse afin de contrer l'effet de torsion de l'outil en marche.
6. **LA PERCEUSE S'ÉTOUFFE** habituellement lorsqu'elle est surchargée ou utilisée de façon inappropriée. **RELÂCHER IMMÉDIATEMENT L'INTERRUPTEUR À DÉTENTE**, retirer le foret du matériau et déterminer la cause du blocage. **ÉVITER DE METTRE EN MARCHÉ ET HORS CIRCUIT L'OUTIL À L'AIDE DE L'INTERRUPTEUR À DÉTENTE DANS LE BUT DE FAIRE DÉMARRER LA PERCEUSE BLOQUÉE, CELA POURRAIT L'ENDOMMAGER.**
7. Afin de minimiser l'étouffement du moteur ou le défoncement de la pièce, réduire la pression et faire avancer plus doucement le foret vers la fin de sa course.

8. Laisser le moteur en marche lorsqu'on retire le foret d'un trou afin d'éviter qu'il se coince.
9. Il n'est pas nécessaire de pratiquer un creux de guidage avec les perceuses à régulateur de vitesse. Utiliser plutôt une basse vitesse pour commencer le trou, puis accélérer en enfonçant plus profondément l'interrupteur à détente lorsque le foret est suffisamment inséré dans la pièce.

PERÇAGE DANS LE MÉTAL

UTILISER SEULEMENT à la gamme de vitesses basses. Commencer à percer à basse vitesse et augmenter jusqu'à la pleine puissance tout en exerçant une pression ferme sur l'outil. Une production uniforme de copeaux métalliques à débit moyen indique un perçage convenable. Utiliser de l'huile de coupe pour percer dans les métaux, sauf la fonte et le laiton qui se percent à sec. L'huile de coupe la plus efficace est l'huile sulfurisée ou l'huile de lard; la graisse de bacon est parfois suffisante.

NOTE : Il peut être plus facile de percer de gros trous dans l'acier (de 5/16 po à 1/2 po) lorsqu'on perce un trou de guidage (de 5/32 po à 3/16 po) au préalable.

PERÇAGE DANS LE BOIS

UTILISER SEULEMENT à la gamme de vitesses basses. Commencer à percer à basse vitesse et augmenter jusqu'à la pleine puissance tout en exerçant une pression ferme sur l'outil. Les forets hélicoïdaux à métal peuvent servir à percer le bois, mais il faut les retirer souvent du trou pour chasser les copeaux et rognures des goujures afin d'éviter qu'ils ne surchauffent. Pour percer de gros trous, utiliser les forets à bois d'une perceuse électrique. Adosser les matériaux friables à un bloc de bois quelconque.

PERÇAGE DANS LA MAÇONNERIE

Lorsqu'on perce de la maçonnerie, utiliser des forets à pointe de carbure conçus pour le perçage à percussion et s'assurer qu'ils sont bien affûtés. Pour percer des trous d'un diamètre maximal de 3/8 po,

utiliser la gamme de vitesses élevées. Pour percer des trous d'un diamètre de plus de 3/8 po, utiliser la gamme de vitesses basses. Ne pas oublier de choisir le mode de fonctionnement à percussion. Exercer une pression constante et ferme sur l'outil afin d'en optimiser le rendement. Une production uniforme de poussière à débit moyen indique un perçage convenable.

Jauge de profondeur

Afin de régler la jauge de profondeur, desserrer la poignée et déplacer la jauge de sorte que la distance entre son extrémité et le bout du foret égale la profondeur voulue. Lors du perçage avec la jauge de profondeur, arrêter de percer lorsque l'extrémité de la jauge atteint la surface du matériau percé.

Entretien

NETTOYAGE ET LUBRIFICATION

Nettoyer l'outil seulement à l'aide d'un savon doux et d'un linge humide. Ne laisser aucun liquide s'infiltrer dans l'outil et ne jamais immerger l'outil.

L'outil est muni de roulements autolubrifiés qui ne nécessitent aucune lubrification périodique. Dans l'éventualité peu probable où l'outil nécessiterait de l'entretien, le confier au personnel d'un centre de service autorisé.

Accessoires

Les accessoires recommandés pour l'outil sont vendus séparément chez les détaillants ou au centre de service autorisé de la région.

▲ MISE EN GARDE : L'utilisation de tout accessoire non recommandé peut être dangereuse.

CAPACITÉS MAXIMALES RECOMMANDÉES

	DW505	DW515
CAPACITÉ DU MANDRIN	17mm (5/8 po)	13 mm (1/2 po)
RÉGIME (trs/min)	De 0 à 1 100 De 0 à 2 700	De 0 à 900 De 0 à 2 200
FORETS À MÉTAUX	10 mm (3/8 po) Basses vitesses	10mm (3/8 po) Basses vitesses
FORETS À BOIS	38 mm (1 1/2 po) Basses vitesses	38mm (1 1/2 po) Basses vitesses
FORETS À MAÇONNERIE	Matériaux tendres 22mm (7/8 po) (3/4 po) – Basses vitesses	de 19 mm Basses vitesses
	Béton de 13 mm (1/2 po) Basses vitesses	Béton de 16 mm (5/8 po) Basses vitesses
EMPORTE-PIÈCE	53 mm (2 1/8 po) Basses vitesses	100mm (4 po) Basses vitesses

Important

Pour assurer la SÉCURITÉ D'EMPLOI et la FIABILITÉ de l'outil, n'en confier la réparation, l'entretien et les rajustements (y compris l'inspection et le remplacement des balais) qu'au personnel d'un centre de service DeWALT ou d'un atelier d'entretien autorisé n'utilisant que des pièces de rechange identiques.

Garantie limitée de trois ans

DeWALT réparera, sans frais, tout produit défectueux causé par un défaut de matériel ou de fabrication pour une période de trois ans à compter de la date d'achat. La présente garantie ne couvre pas les pièces dont la défectuosité a été causée par une usure normale ou l'usage abusif de l'outil. Pour obtenir de plus amples renseignements sur les pièces ou les réparations couvertes par la présente garantie,

visiter le site www.dewalt.com ou composer le 1 800 433-9258 (1 800 4-DeWALT). Cette garantie ne s'applique pas aux accessoires et ne vise pas les dommages causés par des réparations effectuées par un tiers. Cette garantie confère des droits légaux particuliers à l'acheteur, mais celui-ci pourrait aussi bénéficier d'autres droits variant d'un état ou d'une province à l'autre.

En plus de la présente garantie, les outils DeWALT sont couverts par notre :

CONTRAT D'ENTRETIEN GRATUIT D'UN AN

DeWALT entretiendra l'outil et remplacera les pièces usées au cours d'une utilisation normale et ce, gratuitement, pendant une période d'un an à compter de la date d'achat, et la

GARANTIE DE REMBOURSEMENT DE 90 JOURS

Si l'acheteur n'est pas entièrement satisfait, pour quelque raison que ce soit, du rendement de l'outil électrique, du laser ou de la cloueuse DeWALT, celui-ci peut le retourner, accompagné d'un reçu, dans les 90 jours à compter de la date d'achat, pour obtenir un remboursement intégral, sans aucun problème.

REMPLACEMENT GRATUIT DE L'ÉTIQUETTE : Si vos étiquettes d'avertissement deviennent illisibles ou sont manquantes, composez le 1-800-4-DeWALT pour obtenir une étiquette de remplacement gratuite. En outre, les produits DeWALT sont couverts par la garantie suivante.

Reglas generales de seguridad

⚠ ¡ADVERTENCIA! Lea y comprenda todas las instrucciones. No hacerlo puede originar riesgos de choque eléctrico, incendio y lesiones personales de gravedad.

CONSERVE ESTAS INSTRUCCIONES

AREA DE TRABAJO

- **Conserve su área de trabajo limpia y bien iluminada.** Las bancas amontonadas y las zonas oscuras propician los accidentes.
- **No opere herramientas eléctricas en atmósferas explosivas, como en presencia de líquidos, gases o polvos inflamables.** Las herramientas eléctricas producen chispas que pueden originar la ignición de los polvos o los vapores.
- **Conserve a observadores, niños y visitantes alejados mientras opera una herramienta eléctrica.** Las distracciones pueden ocasionar que pierda el control.

SEGURIDAD ELECTRICA

Las herramientas con tierra deben conectarse a una toma de corriente instalada y aterrizada correctamente de conformidad con todos los códigos y regulaciones locales. Nunca elimine la pata de conexión a tierra ni modifique la clavija en ninguna manera. No utilice clavijas adaptadoras. Consulte con un electricista calificado si tiene dudas acerca de la conexión correcta a tierra de su toma de corriente. En el caso que su herramienta tenga una falla eléctrica, el aterrizaje proporciona una vía de baja resistencia para llevar la electricidad lejos del operador. Aplicable únicamente a herramientas Clase I (aterrizadas)

- **Las herramientas con doble aislamiento están equipadas con una clavija polarizada (con una pata más ancha que la otra.) Esta clavija se acoplará únicamente en una toma de corriente polarizada de una manera. Si la clavija no se acopla al contacto, inviértala. Si aún así no se ajusta, comuníquese con un electricista calificado para que le**

instalen una toma de corriente polarizada apropiada. El doble aislamiento elimina la necesidad de cables con tres hilos y sistemas de alimentación con conexión a tierra. Aplicable a herramientas Clase II (con doble aislamiento).

- **No exponga las herramientas eléctricas a la lluvia o a condiciones de mucha humedad.** El agua que se introduce en las herramientas aumenta el riesgo de descargas eléctricas.
- **No maltrate el cable. Nunca tome el cable para transportar una herramienta ni para desconectarla de la toma de corriente. Consérvelo alejado de calor aceite, bordes afilados o piezas móviles. Cambie inmediatamente los cables dañados.** Los cables dañados aumentan el riesgo de choque eléctrico.
- **Cuando opere una herramienta eléctrica a la intemperie, utilice una extensión marcada "W-A" o "W".** Estas extensiones están clasificadas para uso a la intemperie y para reducir el riesgo de choques eléctricos.
- **Cuando utilice una extensión, asegúrese de emplear una con el calibre suficiente para soportar la corriente necesaria para su herramienta.** Una extensión con calibre inadecuado causará una caída en el voltaje de la línea resultando en pérdida de potencia y sobrecalentamiento. La tabla siguiente muestra el calibre correcto para usarse, relativo a la longitud de la extensión y el amperaje mencionado en la placa de identificación. Si tiene dudas, utilice el calibre siguiente. Mientras más pequeño sea el número del calibre, mayor será su capacidad.

Calibre mínimo para cordones de extensión		Longitud total del cordón en metros			
Volts		0-7,6	7,6-15,2	15,2-30,4	30,4-45,7
120V					
240V		0-15,2	15,2-30,4	30,4-60,9	60,9-91,4
AMPERAJE					
Más de	No más de	Calibre del cordón AWG			
0	- 6	18	16	16	14
6	- 10	18	16	14	12
10	- 12	16	16	14	12
12	- 16-	14	12	No recomendado	

SEGURIDAD PERSONAL

- **Esté alerta concéntrese en lo que está haciendo. Recorra al sentido común cuando opere una herramienta eléctrica.** No opere ninguna herramienta si se encuentra fatigado o bajo la influencia de drogas, alcohol o medicamentos. Un momento de desatención mientras se operan herramientas eléctricas puede ocasionar lesiones graves.
- **Vístase de manera adecuada. No tenga puestas ropas o artículos de joyería flojos. Cubra su cabello si lo tiene largo. Conserve su cabello, sus ropas y guantes alejados de las piezas móviles.** Las piezas de vestir flojas, las joyas y el cabello largo pueden resultar atrapados por las piezas móviles.
- **Evite el encendido accidental. Asegúrese que el interruptor esté en posición de apagado antes de conectar.** Sostener una herramienta con el dedo en el interruptor o conectarla sin fijarse si el interruptor está en posición de encendido propicia los accidentes.
- **Retire las llaves de ajuste antes de encender la herramienta.** Una llave que se deja en una pieza giratoria puede ocasionar lesiones personales.
- **No se sobreextienda. Conserve siempre los pies bien apoyados, al igual que el equilibrio.** La posición correcta de los pies y el equilibrio permiten controlar mejor la herramienta en situaciones inesperadas.
- **Utilice equipo de seguridad. Siempre utilice protección en los ojos.** Se deben utilizar mascarillas contra polvo, zapatos antiderrapantes, casco o protectores para los oídos para tener las condiciones apropiadas.

USO Y CUIDADOS DE LA HERRAMIENTA

- **Conserve los mangos secos, limpios y libres de aceite y grasa.** Es recomendable utilizar guantes de goma, esto le permitirá controlar mejor la herramienta.
- **Utilice prensas u otros medios prácticos para asegurar y apoyar la pieza de trabajo en una plataforma estable.** Sujetar las piezas con la mano o contra su cuerpo es inestable y puede originar la pérdida de control.

- **No utilice la herramienta si el interruptor no enciende y apaga.** Cualquier herramienta que no pueda controlarse por medio del interruptor es peligrosa y debe reemplazarse.
- **Desconecte la clavija de la toma de corriente antes de hacer cualquier ajuste, cambio de accesorios o de guardar la herramienta.** Tales medidas de seguridad preventivas reducirán el riesgo de que la herramienta se encienda accidentalmente.
- **Guarde las herramientas fuera del alcance de los niños y de otras personas no capacitadas.** Las herramientas son peligrosas en manos de personas no capacitadas.
- **Cuide sus herramientas. Conserve las herramientas de corte afiladas y limpias.** Las herramientas que reciben un mantenimiento adecuado, con piezas de corte afiladas, difícilmente se atascan y son más fáciles de controlar.
- **Verifique la alineación de las piezas móviles, busque fracturas en las piezas y cualesquiera otras condiciones que puedan afectar la operación de las herramientas. Si está dañada, lleve su herramienta a servicio antes de usarla de nuevo.** Muchos accidentes se deben a herramientas con mantenimiento pobre.
- **Solamente use accesorios que el fabricante recomiende para su modelo de herramienta.** Los accesorios que estén diseñados para una herramienta, pueden volverse peligrosos cuando se emplean con otra.

SERVICIO

- **El servicio a las herramientas lo debe efectuar únicamente personal calificado.** El servicio o mantenimiento realizado por personal no calificado puede originar riesgos de lesiones.
- **Cuando efectúe servicio a una herramienta, utilice únicamente refacciones idénticas. Siga las instrucciones de la sección de Mantenimiento de este manual.** El empleo de piezas no autorizadas o no seguir las instrucciones de mantenimiento puede originar riesgos de choque eléctrico o lesiones.
- **Tome la herramienta por las superficies aislantes de sujeción cuando realice una operación en que la**

herramienta de corte pueda hacer contacto con cables ocultos o con su propia extensión. El contacto con un cable "vivo" hará que las partes metálicas de la herramienta queden "vivas" y descarguen hacia el operador.

Reglas adicionales de seguridad

- **Tome la herramienta por las superficies aislantes de sujeción cuando realice una operación en que la herramienta de corte pueda hacer contacto con cables ocultos o con su propia extensión. El contacto con un cable "vivo" hará que las partes metálicas de la herramienta queden "vivas" y descarguen hacia el operador.**
- **Conserve los mangos secos, limpios, libres de aceite y grasa. Se recomienda el uso de guantes de goma. Esto le permitirá controlar mejor la herramienta.**
- **NO TOQUE NINGUNA PARTE METÁLICA DE LA HERRAMIENTA cuando perfore o atornille en muros, pisos o dondequiera que pueda encontrar cables eléctricos vivos. Tome la herramienta solamente por las superficies de sujeción aislantes para evitar el choque eléctrico en caso que perfore o atornille un cable eléctrico vivo.**

⚠ ADVERTENCIA : Parte del polvo creado al lijar, aserruchar, moler o perforar con máquina, así como al realizar otras actividades de la construcción, contiene sustancias químicas que se sabe producen cáncer, defectos congénitos u otras afecciones reproductivas. Algunos ejemplos de esas sustancias químicas son:

- plomo de pinturas a base de plomo,
- sílice cristalizada de ladrillos y cemento y otros productos de albañilería, y

• arsénico y cromo de la madera químicamente tratada (CCA).
El riesgo al contacto con estas sustancias varía, según la frecuencia en que se haga este tipo de trabajo. Para reducir la exposición a esas sustancias químicas: trabaje en un área bien ventilada, y trabaje con equipos de seguridad aprobados, tales como máscaras contra el polvo especialmente diseñadas para filtrar las partículas microscópicas.

- **Evite el contacto prolongado con polvos originados por lijar, aserrar, esmerilar, taladrar y otras actividades constructivas. Vista ropas protectoras y lave las áreas expuestas con agua y jabón. Permitir que el polvo se introduzca en su boca, ojos, o dejarlo sobre la piel promueve la absorción de químicos dañinos.**

⚠ PRECAUCION: utilice la protección auditiva apropiada durante el uso. Bajo ciertas condiciones de duración de uso, el ruido producido por este producto puede contribuir a la pérdida auditiva.

- La etiqueta de su herramienta puede incluir los siguientes símbolos.

V	volts	A	amperes
Hz	hertz	W	watts
min	minutos	~	corriente alterna
====	corriente directa	nº	velocidad sin carga
☐	construcción	.../min	revoluciones o
	Clase II		reciprocaciones por
⊕	terminales de		minuto
	conexión a tierra	BPM	golpes por minuto

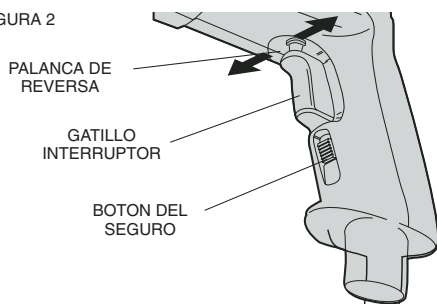
Mango lateral

⚠ PRECAUCION: Utilice el mango lateral siempre que se le proporcione y sujete el rotomartillo con ambas manos. Se suministra un mango lateral con este rotomartillo. Se sujeta al frente de la caja de engranes como se muestra en la figura 1 y se puede girar 360° para permitir el uso a mano izquierda.

Interruptor

Para encender el rotomartillo, oprima el gatillo interruptor (figura 2). Para detener el rotomartillo, suelte el gatillo. Para dejar fijo el interruptor en la posición de encendido ("ON") para operación continua, oprímalo y presione el **botón del seguro**. La herramienta

FIGURA 2



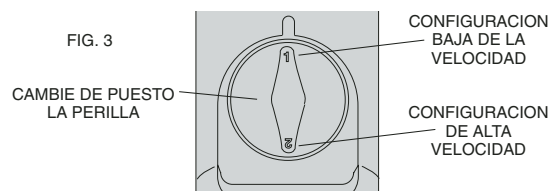
continuará en funcionamiento. Para APAGAR la herramienta desde la posición de operación continua, oprima y suelte el gatillo una vez. Antes de usar la herramienta (cada vez), asegúrese de que el mecanismo de liberación del seguro funciona libremente.

No asegure el interruptor en posición de ENCENDIDO cuando taladre a mano para poder soltar el gatillo en caso que la broca se atasque en el orificio. El botón de trabado se debe utilizar solamente cuando el taladro se encuentra montado en una base de columna de alguna otra manera. Asegúrese de montar el mecanismo de seguridad antes de desconectar la clavija de la toma de corriente. No hacerlo propiciará que el taladro se encienda en el momento de volver a conectarlo, con el peligro consecuente de daños o lesiones.

El **interruptor de gatillo de velocidad variable** permite controlar la velocidad. Cuanto más a fondo se oprima el gatillo, más elevada será la velocidad del rotomartillo.

NOTA: Utilice velocidades bajas para perforar sin haber marcado el "punto" de centro, taladrar en metal o plásticos, atornillar y perforar cerámica. Las altas velocidades son mejores para barrenar

FRENTE DE LA HERRAMIENTA



madera y aglomerados de ésta, y cuando se van a utilizar los accesorios abrasivos y de pulido.

La **palanca de reversa** se utiliza para invertir la marcha del rotomartillo sacar las brocas atascadas en barrenos muy apretados y para destornillar. Se encuentra situada por arriba del interruptor de gatillo como se observa en la figura 2. Para activar el motor en reversa, apague el rotomartillo y mueva la palanca hacia la izquierda (mirándola desde el portabrocas). Para operar la unidad hacia adelante APAGUE el rotomartillo y cambie la posición de la palanca hacia la derecha.

Operación a velocidad Alta/Baja

El engranaje de dos velocidades del rotomartillo de doble acción permite una buena operación en gran variedad de aplicaciones, a la vez que una capacidad muy aumentada para utilizar diversos accesorios.

Para la operación en BAJA VELOCIDAD, debe girar la perilla de cambios (fig. 3) de modo que el gráfico de baja velocidad quede orientado hacia el frente de la herramienta.

Para la operación en ALTA VELOCIDAD, la perilla de cambios debe girarse para que el gráfico correspondiente quede orientado hacia el frente de la herramienta.

El tren de engranajes se ha diseñado para efectuar los cambios sólo cuando está apagada la unidad. Sin embargo, quizá sea necesario

girar ligeramente el broquero a mano para alinear los engranajes mientras se da vuelta a la perilla de cambios. **NO INTENTE CAMBIAR VELOCIDADES** girando la perilla de cambios si la herramienta se encuentra activada. Hacer lo contrario dañará el tren de engranajes.

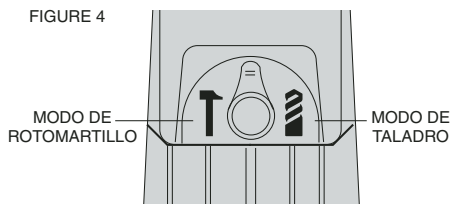
Selector de modo Rotomartillo/Taladro

Para cambiar la herramienta de modo de taladro a modo de rotomartillo (o viceversa) gire la perilla que se encuentra en la parte superior de la unidad, ilustrada en la figura 4, hasta la posición que desee. Para taladrado simple, apunte el gráfico de la broca hacia el broquero. Para utilizar la unidad en modo de rotomartillo, apunte el gráfico del martillo hacia el broquero, como se muestra en la figura.

NOTA: El selector deberá estar siempre en alguna de las dos posiciones siempre. No hay posiciones de operación entre ambas.

Broquero

Para insertar la broca, abra las mordazas del broquero haciendo girar el collar con los dedos, e inserte el vástago de la broca a una profundidad aproximada de 19 mm (3/4") en el interior del broquero. Apriete el collar con la mano. A continuación coloque la llave en cada uno de los tres orificios, y apriete cada vez en el sentido de las manecillas del reloj. Es importante que apriete las mordazas sobre la broca en los tres orificios.



Para quitar la broca, gire el broquero con la llave en sentido contrario a las manecillas del reloj valiéndose de solamente uno de los orificios. Afloje a continuación el broquero con la mano.

Operación

TALADRADO

1. Siempre desconecte el taladro cuando instale o cambie brocas o accesorios.
2. Utilice exclusivamente brocas afiladas. PARA MADERA utilice la posición de velocidad baja y brocas helicoidales, brocas de horquilla, brocas de poder o brocas sierra. PARA METAL utilice la posición de velocidad baja y brocas helicoidales de alta velocidad o brocas sierra. PARA MAMPOSTERÍA utilice brocas con punta de carburo de tungsteno. Utilice la posición de velocidad baja con brocas mayores a 3/8".
3. Asegúrese que el material que va a barrenar esté firmemente anclado o asegurado. Si perforará material delgado, utilice un trozo de madera como "respaldo" para evitar dañarlo.
4. Aplique presión al taladro en línea recta con la broca. Haga suficiente presión para que la broca siga perforando pero no tanta para que el motor se atasque o la broca se desvíe.
5. Sujete el taladro firmemente para controlar la fuerza de torsión de la broca.
6. **SI EL TALADRO SE ATASCA,** esto se deberá probablemente a que está sobrecargado, o a que se usa de manera incorrecta. **SUELTE EL GATILLO DE INMEDIATO** y determine la causa del atascamiento. Retire la broca de la pieza de trabajo y comience de nuevo. **NO APRIETE EL GATILLO PARA HACER PRUEBAS DE ENCENDIDO Y APAGADO CUANDO LA BROCA ESTA ATORADA, ESTO PUEDE DAÑAR EL TALADRO.**
7. Para reducir el peligro de que se atasque el taladro, reduzca la presión y deje ir suavemente la broca hacia el final del barreno.

8. Conserve el motor trabajando al retirar la broca del interior del barreno, de esta manera evitará que se atasque.

9. Con los taladros con velocidad con velocidad variable no hay necesidad de hacer una marca de centro. utilice una velocidad baja para comenzar el barreno y acelere al oprimir el gatillo con mayor fuerza cuando el orificio tenga la profundidad suficiente para evitar que la broca se salga.

TALADRADO EN METAL

SOLAMENTE USE EL TALADRO en “velocidad baja”. Inicie la perforación a baja velocidad y vaya aumentándola a la potencia completa mientras aplica presión firme en la herramienta. El flujo uniforme y suave de rebabas indica que se taladra a la velocidad adecuada. Emplee un lubricante para corte cuando taladre en metales. Las excepciones son hierro el colado y el latón, que deben barrenarse en seco. Los lubricantes que mejor funcionan son el aceite sulfúrico y la manteca.

NOTA: Los barrenos grandes (5/6” a 1/2”) en acero se pueden hacer con mayor facilidad si se barrena un orificio piloto (5/32” a 3/16”) primero.

TALADRADO EN MADERA

SOLAMENTE USE EL TALADRO en “velocidad baja”. Inicie la perforación a baja velocidad y vaya aumentándola a la potencia completa mientras aplica presión firme en la herramienta. Se puede perforar madera con las mismas brocas helicoidales que se utilizan para metal. Estas deben estar afiladas y deben sacarse frecuentemente para limpiarlas de virutas. Los trabajos susceptibles de astillarse deben respaldarse con un bloque de madera.

TALADRADO EN MAMPOSTERIA

Cuando taladre en mampostería, utilice brocas con punta de carburo de tungsteno, clasificadas para percusión, y asegúrese que la punta tenga filo. Para barrenos hasta de 9,5 mm (3/8”) de diámetro, utilice el engrane de velocidad alta. Para barrenos mayores, emplee el engrane de velocidad baja. Asegúrese de haber seleccionado el

modo de rotomartillo. Utilice fuerza constante y firme en la herramienta para taladrar con mayor efectividad. El flujo uniforme de polvo indica que la velocidad de perforación es adecuada.

Varilla de profundidad

Para ajustar la varilla de profundidad, afloje el mango, coloque la varilla de manera que la longitud proyectada de la broca por delante del extremo de la varilla sea igual a la profundidad deseada para el barreno. Cuando utilice la varilla de profundidad, deténgase cuando el extremo de la varilla alcance la superficie del material.

Mantenimiento

LIMPIEZA Y LUBRICACION

Solamente utilice jabón suave y agua para limpiar la herramienta. Nunca permita que ningún líquido se introduzca en la herramienta; nunca sumerja ninguna parte de la herramienta en ningún líquido.

Se han empleado balero autolubrificantes en la herramienta y por tanto no requieren lubricación periódica. En el remoto caso que su herramienta llegue a requerir servicio, llévela a un centro de servicio autorizado.

Accesorios

Los accesorios recomendados para esta herramienta están a su disposición con costo extra con su distribuidor local o en los centros de servicio.

▲ PRECAUCION: El empleo de cualquier otro accesorio puede ser peligroso.

CAPACIDADES MAXIMAS RECOMENDADAS

	DW505	DW515
CAPACIDAD DEL BROQUERO	12,7 mm (1/2")	17mm (5/8")
R.P.M.	0-1.100 0-2.700	0-900 - 0-2200
BROCAS PARA METAL	9,5 mm (3/8") Baja velocidad	9,5mm (3/8")– Baja velocidad
BROCAS PARA MADERA	38 mm (1 1/2") Baja velocidad	38mm (1 1/2") Baja velocidad

BROCAS PARA MAMPOSTERIA	19mm (3/4")	17mm (5/8")
	Materiales suaves	Materiales suaves
	Baja velocidad	Baja velocidad
	12,7 mm (1/2")	Concreto 17mm (5/8")
BROCAS SIERRA	Baja velocidad	Baja velocidad
	Hasta 53,9 mm (2 1/8") – Baja velocidad	100mm (4"0) Baja velocidad

Importante

Para garantizar la SEGURIDAD y la CONFIABILIDAD del producto, deberán hacerse reparaciones, mantenimiento y ajustes (incluyendo revisión y cambio de los carbones) por centros autorizados de servicio u otras organizaciones calificadas que empleen siempre refacciones idénticas

PARA REPARACIÓN Y SERVICIO DE SUS HERRAMIENTAS ELÉCTRICAS, FAVOR DE DIRIGIRSE AL CENTRO DE SERVICIO MAS CERCANO

CULIACAN, SIN Av. Nicolás Bravo #1063 Sur - Col. Industrial Bravo	(667) 7 12 42 11
GUADALAJARA, JAL Av. La Paz #1779 - Col. Americana Sector Juarez	(33) 3825 6978
MEXICO, D.F. Eje Central Lázaro Cardenas No. 18 Local D, Col. Obrera	(55) 5588 9377
MERIDA, YUC Calle 63 #459-A - Col. Centro	(999) 928 5038
MONTERREY, N.L. Av. Francisco I. Madero No.831 - Col. Centro	(81) 8375 2313
PUEBLA, PUE 17 Norte #205 - Col. Centro	(222) 246 3714
QUERETARO, QRO Av. Madero 139 Pte. - Col. Centro	(442) 214 1660

SAN LUIS POTOSI, SLP
Av. Universidad 1525 - Col. San Luis (444) 814 2383

TORREON, COAH
Blvd. Independencia, 96 Pte. - Col. Centro (871) 716 5265

VERACRUZ, VER
Prolongación Díaz Mirón #4280 - Col. Remes (229) 921 7016

VILLAHERMOSA, TAB
Constitución 516-A - Col. Centro (993) 312 5111

PARA OTRAS LOCALIDADES LLAME AL: (55) 5326 7100

Accesorios

Dispone usted de los accesorios para su herramienta por un cargo adicional con su distribuidor local autorizado Se incluye una lista completa de los centros de servicio con su herramienta..Si necesita ayuda para encontrar cualquier accesorio, por favor comuníquese con DeWALT Industrial Tool Co., 701 East Joppa Road, Baltimore, MD 21286 o llame al teléfono 1-800-732-4441.

Garantía limitada por tres años

DeWALT reparará, sin cargo, cualquier falla que surja de defectos en el material o la fabricación del producto, por hasta tres años a contar de la fecha de compra. Esta garantía no cubre fallas de las piezas causadas por su desgaste normal o abuso a la herramienta. Para mayores detalles sobre la cobertura de la garantía e información acerca de reparaciones realizadas bajo garantía, visítenos en www.dewalt.com o llámenos al 1 800 433-9258 (1-800-4-DeWALT). Esta garantía no aplica a accesorios o a daños causados por reparaciones realizadas o intentadas por terceros. Esta garantía le otorga derechos legales específicos, además de los cuales puede tener otros dependiendo del estado o provincia en que se encuentre.

Además de la garantía, las herramientas DeWALT están cubiertas por:

1 AÑO DE SERVICIO GRATUITO

DeWALT mantendrá la herramienta y reemplazará las piezas gastadas por su uso normal, sin cobro, en cualquier momento durante un año a contar de la fecha de compra.

GARANTÍA DE REEMBOLSO DE SU DINERO POR 90 DÍAS

Si no está completamente satisfecho con el desempeño de su máquina herramienta, láser o clavadora DeWALT, cualquiera sea el motivo, podrá devolverlo hasta 90 días de la fecha de compra con su recibo y obtener el reembolso completo de su dinero – sin necesidad de responder a ninguna pregunta.

REEMPLAZO DE LAS ETIQUETAS DE ADVERTENCIA GRATUITO: Si sus etiquetas de advertencia se tornan ilegibles o se pierden, llame al 1-800-4-DeWALT para que se las reemplacen sin cost.

Especificaciones	DW505	DW515
Tensión de alimentación	120 V CA	120 V CA
Frecuencia de operación:	50/60 Hz	50/60 Hz
Consumo de corriente:	7,2 A	8,2 A

IMPORTADOR: DeWALT S.A. DE C.V.
BOSQUES DE CIDROS ACCESO RADIATAS NO. 42
COL. BOSQUES DE LAS LOMAS, 3A. SECCIÓN, CP 05120
DELEGACIÓN CUAJIMALPA, MÉXICO, D.F.
TEL. 5 326 7100
R.F.C.: BDE810626-1W7

Para servicio y ventas consulte
"HERRAMIENTAS ELECTRICAS"
en la sección amarilla.

