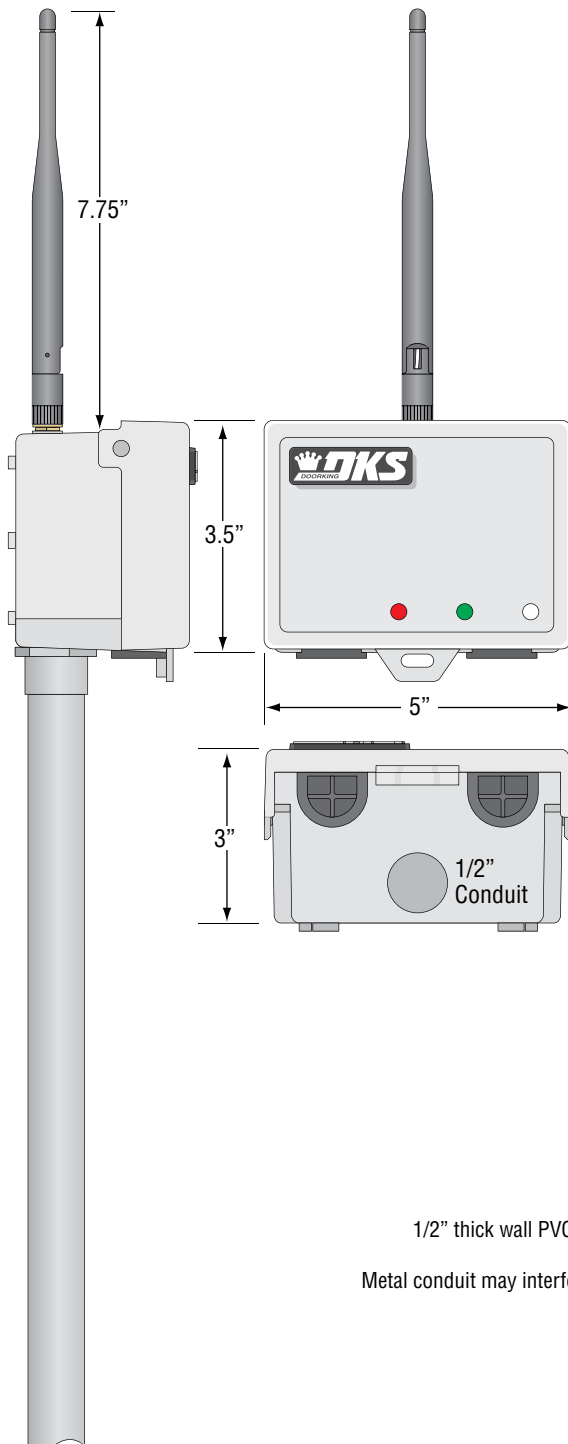


WIRELESS REPEATER KIT

DoorKing Part Number
2364-080

The wireless repeater kit extends the wireless communication range between an access control system and wireless tracker expansion board or just between wireless tracker expansion boards. It gets installed between the wireless systems that are too far or obstructed from each other to reliably communicate with each other. It will repeat a signal sent to it and relay that signal to the next wireless system. Multiple repeaters can be used in the same communication line of tracker expansion boards. The approximate signal range is 500 ft direct-line-of-sight with no signal interference.

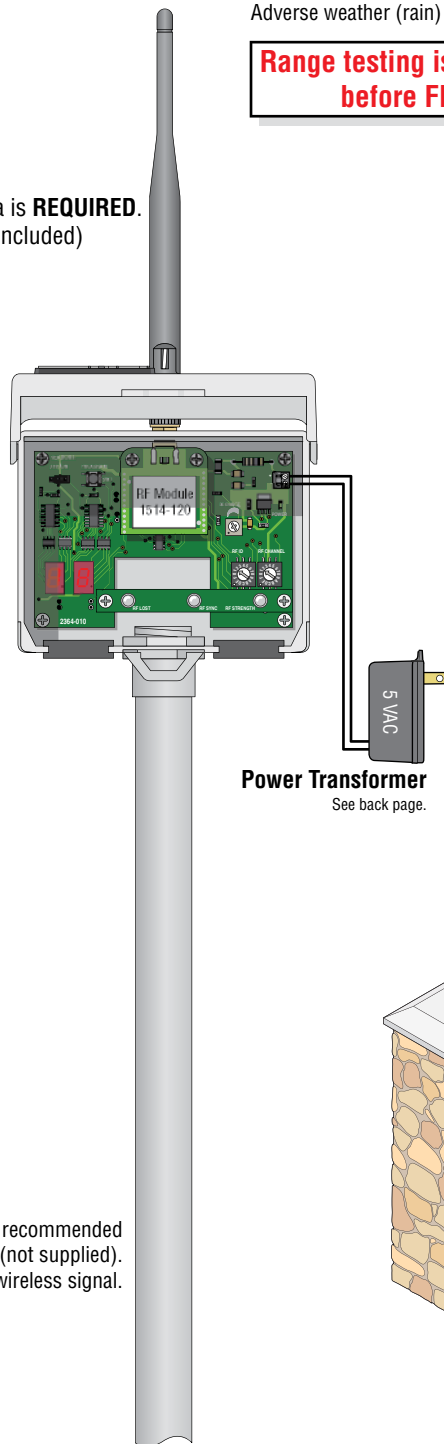
Installation



Antenna is **REQUIRED**.
(Included)

Important Antenna Note: Antenna range **WILL VARY GREATLY** depending on individual setup (Antenna height above the ground, background signal interference, physical obstructions (trees, buildings etc.)). Adverse weather (rain) **CAN** also affect antenna range.

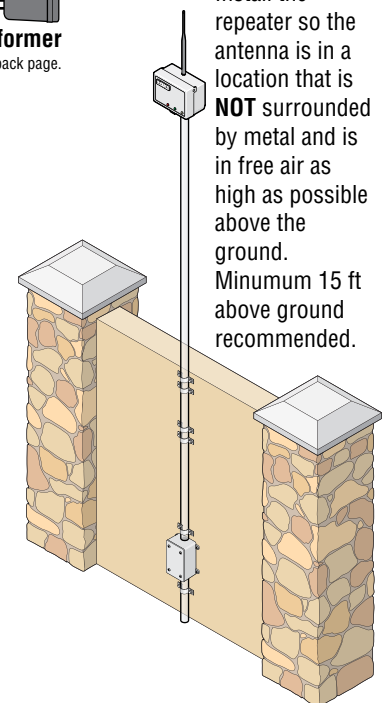
Range testing is HIGHLY recommended before FINAL installation.



Power Transformer
See back page.

IMPORTANT: Install the repeater so the antenna is in a location that is **NOT** surrounded by metal and is in free air as high as possible above the ground. Minimum 15 ft above ground recommended.

1/2" thick wall PVC conduit recommended (not supplied).
Metal conduit may interfere with wireless signal.



Repeater Board Reference

See “**Wireless System Layout and Start-Up Procedure**” for system layout limitations, checking and adjusting RF range of the repeater.

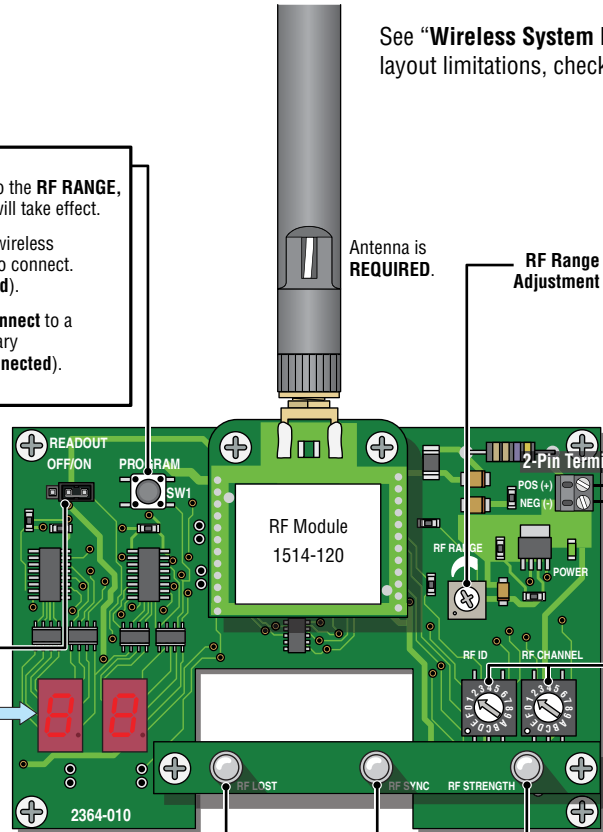
Program Button:

- Press after adjustment has been made to the **RF RANGE**, **RF ID** or **RF CHANNEL** before changes will take effect.
- Press and hold for 3 sec. to **connect** to wireless baseboard, may take up to 20 seconds to connect. (**RF SYNC** LED will blink when **connected**).
- Press and hold **again** for 3 sec. to **disconnect** to a connected wireless baseboard if necessary (**RF LOST** LED will turn ON when **disconnected**).

LED Display

Jumper set on **RIGHT** side turns display **ON**. (factory set) **MUST** be **ON** to show RF range and strength.

Jumper set on **LEFT** side turns display **OFF**. (50% board power savings when **OFF**)



Antenna is **REQUIRED**.

RF Range Adjustment



Set to max (full clockwise) for most applications. This may need to be dialed back to limit the range when using multiple repeaters.



Power transformer is **REQUIRED** and is wired to the 2-pin terminal, wire polarity matters.

Power Transformer
18 GA. Wire 100 ft max
16 GA. Wire 200 ft max

RF ID	RF Channel
Important	
MUST be set to SAME ID number and channel number as the wireless baseboard and tracker expansion board(s).	

RF LOST:
ON - NO communication with a wireless board.

RF SYNC:
Blinking - Communicating with a wireless board.
OFF - No signal with a wireless board.

RF Strength LED:
Updated every time a **RF SYNC** signal is received.
Green - Strong signal - **Normal**
Yellow - Marginal signal - May lose communication.
Red - Poor signal - Unreliable

Important Notice

Due to the nature of wireless communications, transmission and reception of data can never be guaranteed. Data may be delayed, corrupted (i.e., have errors) or be totally lost. Although significant delays or losses of data are rare when wireless devices are used in a normal manner with a well-constructed network, DoorKing wireless products should not be used in situations where failure to transmit or receive data could result in damage of any kind to the user or any other party, including but not limited to personal injury, death, or loss of property. DoorKing, Inc. accepts no responsibility for damages of any kind resulting from delays or errors in data transmitted or received using DoorKing wireless products, or for failure of DoorKing wireless products to transmit or receive such data.

Safety and Hazards

Do not operate DoorKing wireless products in areas where cellular modems are not advised without proper device certifications. These areas include environments where cellular radio can interfere such as explosive atmospheres, medical equipment, or any other equipment which may be susceptible to any form of radio interference. DoorKing wireless products can transmit signals that could interfere with this equipment. Do not operate DoorKing wireless products in any aircraft, whether the aircraft is on the ground or in flight. In aircraft, DoorKing wireless products **MUST BE POWERED OFF**. When operating, DoorKing wireless products can transmit signals that could interfere with various onboard systems.

Note: Some airlines may permit the use of cellular phones while the aircraft is on the ground and the door is open. DoorKing wireless products may be used at this time.

The driver or operator of any vehicle should not operate DoorKing wireless products while in control of a moving vehicle. Doing so will detract from the driver or operator's control and operation of that vehicle. In some states and provinces, operating such communications devices while in control of a vehicle is an offence.

