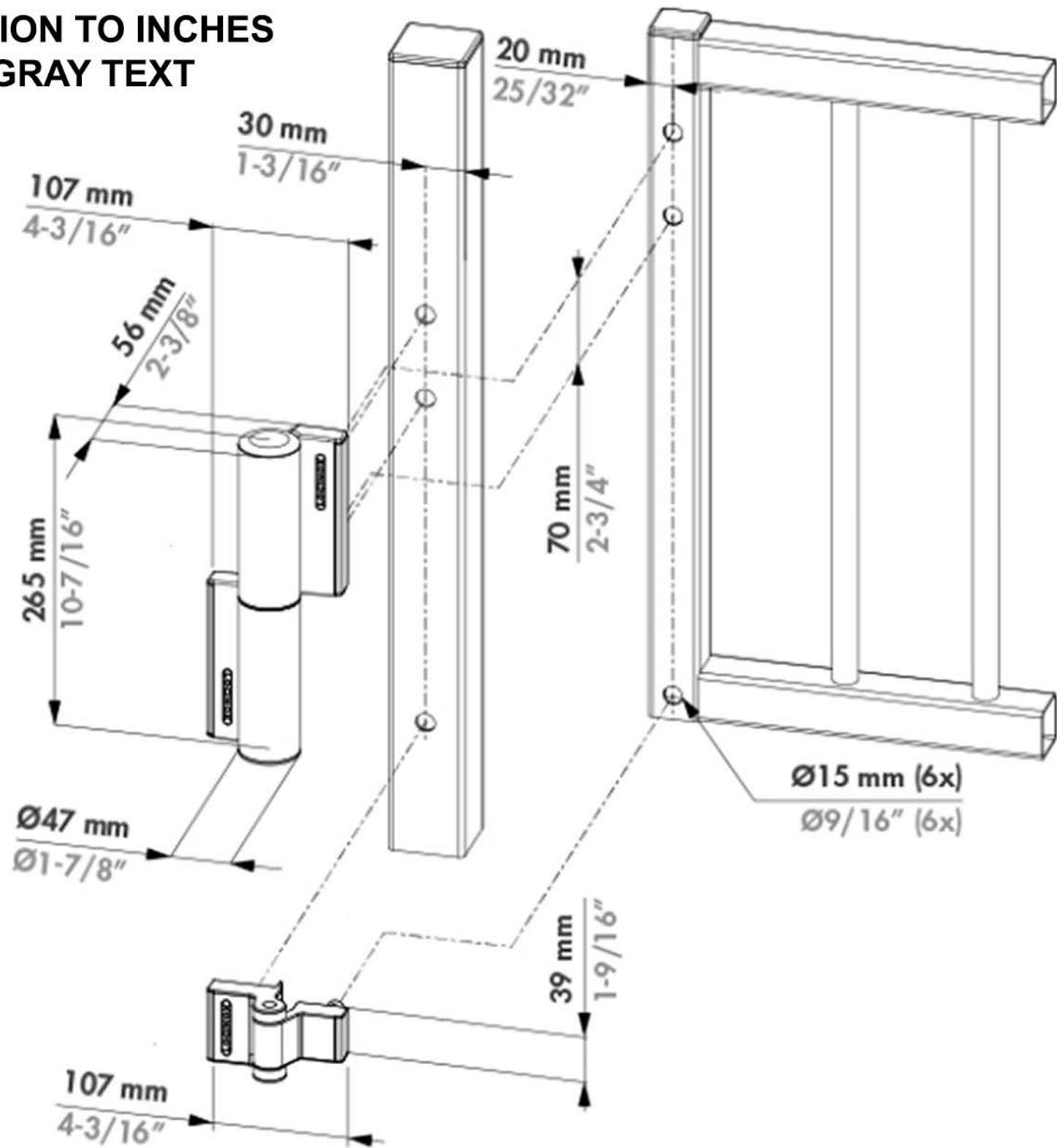


**CONVERSION TO INCHES
IS IN GRAY TEXT**



NEW Compact hinge and gate closer in one
TIGER (Patented)

Hydraulic selfclosing, double bearing hinge with an 180° opening angle that easily closes gates up to 100 kg. Closing speed and final snap can be adjusted after installation. Fast and easy fixing with Quick-Fix. Combination with Puma (non-selfclosing) hinge. Conform with Rospa regulations. Available May 2016.



- Automatic closure with adjustable closing speed and final snap
- Aluminium powdercoated PUMA hinge included
- Powdercoated aluminium casing
- Fast and easy fixing: Quick-Fix
- Aesthetic design
- Vandal proof
- 180° opening
- For left and right turning gates
- For gates up to 100 kg (max 0,9 m wide)
- Tested at 500.000 movements
- Tested to -30° C

Color options

ZILV 9005



Order code

- TIGER - Hydraulic gate closer and puma hinge for gates up to 100 kg

