

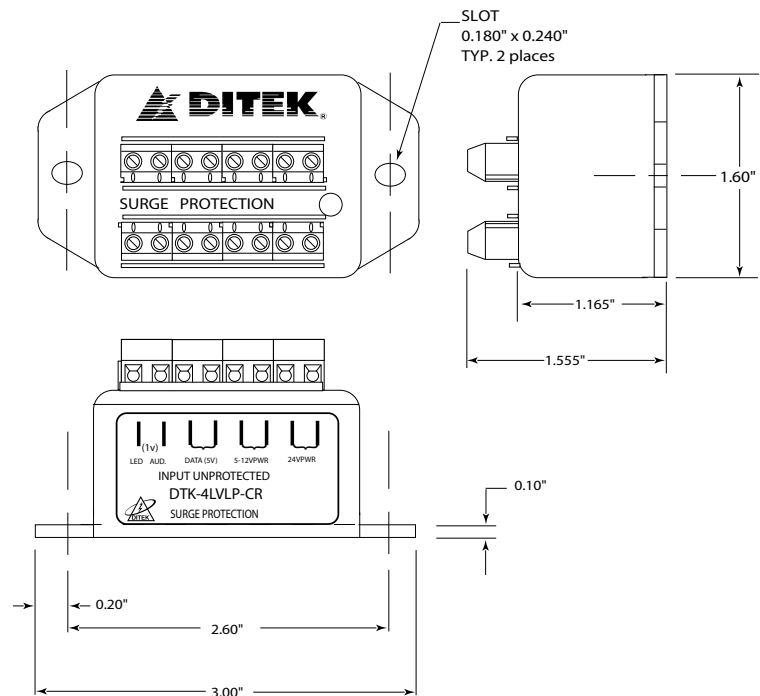
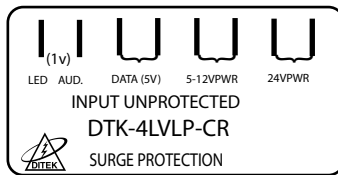
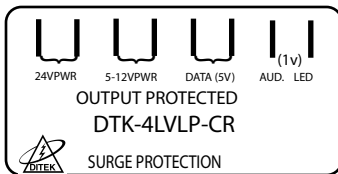
# DTK-4LVLP-CR

## LOW VOLTAGE CARD READER CIRCUIT PROTECTION

# INSTALLATION INSTRUCTIONS

NOTE: THIS DEVICE IS INTENDED FOR INDOOR USE ON ISOLATED LOOP CIRCUITS, DATA, OR LOW VOLTAGE TELECOMMUNICATION CIRCUITS.

1. BEFORE BEGINNING INSTALLATION, MAKE SURE THE POWER IS OFF.
2. THIS DEVICE MUST BE CONNECTED IN SERIES BETWEEN THE FIELD WIRING AND THE EQUIPMENT TO BE PROTECTED.
3. SECURELY MOUNT THE BASE CLOSE TO THE CIRCUIT BEING PROTECTED USING THE DOUBLE SIDED TAPE (SUPPLIED), OR TWO #8 SCREWS (NOT SUPPLIED).
4. MAKE SURE THE WIRE DISTANCE FROM THE SURGE PROTECTOR TO PROTECTED EQUIPMENT IS GREATER THAN THE WIRE DISTANCE FROM THE SURGE PROTECTOR TO GROUND.
5. USE ONE COMMON GROUND PER SYSTEM TO ELIMINATE THE POSSIBILITY OF A DIFFERENCE IN GROUND POTENTIALS.
6. FOLLOW THE DIAGRAMS ON THE UNIT AND CONNECT THE WIRES ACCORDINGLY.
7. AFTER ALL CONNECTIONS HAVE BEEN MADE AND NO HAZARDS EXIST, RESTORE POWER.
8. IF YOU HAVE ANY QUESTIONS CALL TECHNICAL SUPPORT AT: 1-888-472-6100.



Diversified Technology Group, Inc.

1720 Starkey Road Largo, Florida 33771  
Tel. 727-812-5000 Fax 727-812-5026

TITLE: INSTALLATION INSTRUCTIONS DTK-4LVLP-CR

MATERIAL:

APPROVED BY:

FINISH:

DRAWN BY:

DATE:

REVISED:

DWG NO.

PART NO.

REV.

RWM

8-23-01

6-5-02

INT-100025-001

191405

2