



OM-234 016F

2010-04

Processes



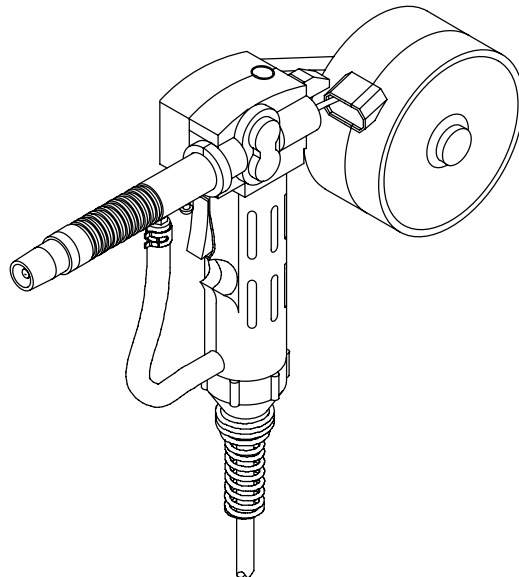
MIG (GMAW) Welding

Description



Wire Feeder Spool Gun

Spoolmate 100 Series



Visit our website at

www.MillerWelds.com

OWNER'S MANUAL

File: Wire Feeder



From Miller to You

Thank you and congratulations on choosing Miller. Now you can get the job done and get it done right. We know you don't have time to do it any other way.

That's why when Niels Miller first started building arc welders in 1929, he made sure his products offered long-lasting value and superior quality. Like you, his customers couldn't afford anything less. Miller products had to be more than the best they could be. They had to be the best you could buy.

Today, the people that build and sell Miller products continue the tradition. They're just as committed to providing equipment and service that meets the high standards of quality and value established in 1929.

This Owner's Manual is designed to help you get the most out of your Miller products. Please take time to read the Safety precautions. They will help you protect yourself against potential hazards on the worksite.

We've made installation and operation quick and easy. With Miller you can count on years of reliable service with proper maintenance. And if for some reason the unit needs repair, there's a Troubleshooting section that will help you figure out what the problem is. The parts list will then help you to decide the exact part you may need to fix the problem. Warranty and service information for your particular model are also provided.



Miller is the first welding equipment manufacturer in the U.S.A. to be registered to the ISO 9001 Quality System Standard.

Miller Electric manufactures a full line of welders and welding related equipment. For information on other quality Miller products, contact your local Miller distributor to receive the latest full line catalog or individual specification sheets. **To locate your nearest distributor or service agency call 1-800-4-A-Miller, or visit us at www.MillerWelds.com on the web.**



Working as hard as you do – every power source from Miller is backed by the most hassle-free warranty in the business.



TABLE OF CONTENTS


SECTION 1 – SAFETY PRECAUTIONS - READ BEFORE USING	1
1-1. Symbol Usage	1
1-2. Arc Welding Hazards	1
1-3. Additional Symbols For Installation, Operation, And Maintenance	3
1-4. California Proposition 65 Warnings	4
1-5. Principal Safety Standards	4
1-6. EMF Information	4
SECTION 2 – CONSIGNES DE SÉCURITÉ – LIRE AVANT UTILISATION	5
2-1. Symboles utilisés	5
2-2. Dangers relatifs au soudage à l'arc	5
2-3. Dangers supplémentaires en relation avec l'installation, le fonctionnement et la maintenance	7
2-4. Proposition californienne 65 Avertissements	8
2-5. Principales normes de sécurité	9
2-6. Informations relatives aux CEM	9
SECTION 3 – INSTALLATION	11
3-1. Specifications	11
3-2. Removing MIG Gun From Welding Power Source	11
3-3. Connecting Spool Gun To Millermatic 140/180 Models	12
3-4. Connecting Spool Gun To Millermatic 211 Auto-Sett	14
3-5. Connecting Spool Gun To Millermatic Passport Plus	15
3-6. Connecting Spool Gun To Renegade 180	16
3-7. Installing Wire Spool And Threading Welding Wire	17
SECTION 4 – OPERATION	18
4-1. Controls For Millermatic 140/180 Models	18
4-2. Controls For Millermatic 211 Auto-Sett Models	26
4-3. Controls For Millermatic Passport Plus Model	30
4-4. Controls For Renegade 180 Model	34
SECTION 5 – MAINTENANCE & TROUBLESHOOTING	36
5-1. Routine Maintenance	36
5-2. Changing Drive Rolls	37
5-3. Changing Liner	38
5-4. Troubleshooting	38
5-5. GMAW (MIG) Aluminum Welding Hints	39
SECTION 6 – ELECTRICAL DIAGRAMS	41
SECTION 7 – PARTS LIST	44
WARRANTY	


SECTION 1 – SAFETY PRECAUTIONS - READ BEFORE USING

som_2010-03

 Protect yourself and others from injury — read and follow these precautions.

1-1. Symbol Usage

 **DANGER!** – Indicates a hazardous situation which, if not avoided, will result in death or serious injury. The possible hazards are shown in the adjoining symbols or explained in the text.

 Indicates a hazardous situation which, if not avoided, could result in death or serious injury. The possible hazards are shown in the adjoining symbols or explained in the text.


NOTICE – Indicates statements not related to personal injury.

 Indicates special instructions.



This group of symbols means Warning! Watch Out! ELECTRIC SHOCK, MOVING PARTS, and HOT PARTS hazards. Consult symbols and related instructions below for necessary actions to avoid the hazards.

1-2. Arc Welding Hazards

 The symbols shown below are used throughout this manual to call attention to and identify possible hazards. When you see the symbol, watch out, and follow the related instructions to avoid the hazard. The safety information given below is only a summary of the more complete safety information found in the Safety Standards listed in Section 1-5. Read and follow all Safety Standards.

 Only qualified persons should install, operate, maintain, and repair this unit.

 During operation, keep everybody, especially children, away.



ELECTRIC SHOCK can kill.

Touching live electrical parts can cause fatal shocks or severe burns. The electrode and work circuit is electrically live whenever the output is on. The input power circuit and machine internal circuits are also live when power is on. In semiautomatic or automatic wire welding, the wire, wire reel, drive roll housing, and all metal parts touching the welding wire are electrically live. Incorrectly installed or improperly grounded equipment is a hazard.

- Do not touch live electrical parts.
- Wear dry, hole-free insulating gloves and body protection.
- Insulate yourself from work and ground using dry insulating mats or covers big enough to prevent any physical contact with the work or ground.
- Do not use AC output in damp areas, if movement is confined, or if there is a danger of falling.
- Use AC output ONLY if required for the welding process.
- If AC output is required, use remote output control if present on unit.
- Additional safety precautions are required when any of the following electrically hazardous conditions are present: in damp locations or while wearing wet clothing; on metal structures such as floors, gratings, or scaffolds; when in cramped positions such as sitting, kneeling, or lying; or when there is a high risk of unavoidable or accidental contact with the workpiece or ground. For these conditions, use the following equipment in order presented: 1) a semiautomatic DC constant voltage (wire) welder, 2) a DC manual (stick) welder, or 3) an AC welder with reduced open-circuit voltage. In most situations, use of a DC, constant voltage wire welder is recommended. And, do not work alone!
- Disconnect input power or stop engine before installing or servicing this equipment. Lockout/tagout input power according to OSHA 29 CFR 1910.147 (see Safety Standards).

- Properly install and ground this equipment according to its Owner's Manual and national, state, and local codes.
- Always verify the supply ground – check and be sure that input power cord ground wire is properly connected to ground terminal in disconnect box or that cord plug is connected to a properly grounded receptacle outlet.
- When making input connections, attach proper grounding conductor first – double-check connections.
- Keep cords dry, free of oil and grease, and protected from hot metal and sparks.
- Frequently inspect input power cord for damage or bare wiring – replace cord immediately if damaged – bare wiring can kill.
- Turn off all equipment when not in use.
- Do not use worn, damaged, undersized, or poorly spliced cables.
- Do not drape cables over your body.
- If earth grounding of the workpiece is required, ground it directly with a separate cable.
- Do not touch electrode if you are in contact with the work, ground, or another electrode from a different machine.
- Do not touch electrode holders connected to two welding machines at the same time since double open-circuit voltage will be present.
- Use only well-maintained equipment. Repair or replace damaged parts at once. Maintain unit according to manual.
- Wear a safety harness if working above floor level.
- Keep all panels and covers securely in place.
- Clamp work cable with good metal-to-metal contact to workpiece or worktable as near the weld as practical.
- Insulate work clamp when not connected to workpiece to prevent contact with any metal object.
- Do not connect more than one electrode or work cable to any single weld output terminal.

SIGNIFICANT DC VOLTAGE exists in inverter welding power sources AFTER removal of input power.

- Turn Off inverter, disconnect input power, and discharge input capacitors according to instructions in Maintenance Section before touching any parts.



HOT PARTS can burn.

- Do not touch hot parts bare handed.
- Allow cooling period before working on equipment.
- To handle hot parts, use proper tools and/or wear heavy, insulated welding gloves and clothing to prevent burns.



FUMES AND GASES can be hazardous.

Welding produces fumes and gases. Breathing these fumes and gases can be hazardous to your health.

- Keep your head out of the fumes. Do not breathe the fumes.
- If inside, ventilate the area and/or use local forced ventilation at the arc to remove welding fumes and gases.
- If ventilation is poor, wear an approved air-supplied respirator.
- Read and understand the Material Safety Data Sheets (MSDSs) and the manufacturer's instructions for metals, consumables, coatings, cleaners, and degreasers.
- Work in a confined space only if it is well ventilated, or while wearing an air-supplied respirator. Always have a trained watch-person nearby. Welding fumes and gases can displace air and lower the oxygen level causing injury or death. Be sure the breathing air is safe.
- Do not weld in locations near degreasing, cleaning, or spraying operations. The heat and rays of the arc can react with vapors to form highly toxic and irritating gases.
- Do not weld on coated metals, such as galvanized, lead, or cadmium plated steel, unless the coating is removed from the weld area, the area is well ventilated, and while wearing an air-supplied respirator. The coatings and any metals containing these elements can give off toxic fumes if welded.



ARC RAYS can burn eyes and skin.

Arc rays from the welding process produce intense visible and invisible (ultraviolet and infrared) rays that can burn eyes and skin. Sparks fly off from the weld.

- Wear an approved welding helmet fitted with a proper shade of filter lenses to protect your face and eyes from arc rays and sparks when welding or watching (see ANSI Z49.1 and Z87.1 listed in Safety Standards).
- Wear approved safety glasses with side shields under your helmet.
- Use protective screens or barriers to protect others from flash, glare and sparks; warn others not to watch the arc.
- Wear protective clothing made from durable, flame-resistant material (leather, heavy cotton, or wool) and foot protection.

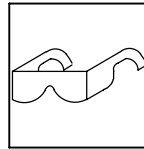


WELDING can cause fire or explosion.

Welding on closed containers, such as tanks, drums, or pipes, can cause them to blow up. Sparks can fly off from the welding arc. The flying sparks, hot workpiece, and hot equipment can cause fires and burns. Accidental contact of electrode to metal objects can cause sparks, explosion, overheating, or fire. Check and be sure the area is safe before doing any welding.

- Remove all flammables within 35 ft (10.7 m) of the welding arc. If this is not possible, tightly cover them with approved covers.
- Do not weld where flying sparks can strike flammable material.
- Protect yourself and others from flying sparks and hot metal.
- Be alert that welding sparks and hot materials from welding can easily go through small cracks and openings to adjacent areas.
- Watch for fire, and keep a fire extinguisher nearby.
- Be aware that welding on a ceiling, floor, bulkhead, or partition can cause fire on the hidden side.
- Do not weld on closed containers such as tanks, drums, or pipes, unless they are properly prepared according to AWS F4.1 (see Safety Standards).
- Do not weld where the atmosphere may contain flammable dust, gas, or liquid vapors (such as gasoline).
- Connect work cable to the work as close to the welding area as practical to prevent welding current from traveling long, possibly unknown paths and causing electric shock, sparks, and fire hazards.
- Do not use welder to thaw frozen pipes.

- Remove stick electrode from holder or cut off welding wire at contact tip when not in use.
- Wear oil-free protective garments such as leather gloves, heavy shirt, cuffless trousers, high shoes, and a cap.
- Remove any combustibles, such as a butane lighter or matches, from your person before doing any welding.
- After completion of work, inspect area to ensure it is free of sparks, glowing embers, and flames.
- Use only correct fuses or circuit breakers. Do not oversize or bypass them.
- Follow requirements in OSHA 1910.252 (a) (2) (iv) and NFPA 51B for hot work and have a fire watcher and extinguisher nearby.



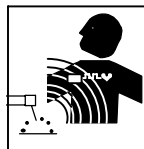
FLYING METAL or DIRT can injure eyes.

- Welding, chipping, wire brushing, and grinding cause sparks and flying metal. As welds cool, they can throw off slag.
- Wear approved safety glasses with side shields even under your welding helmet.



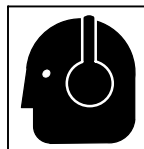
BUILDUP OF GAS can injure or kill.

- Shut off shielding gas supply when not in use.
- Always ventilate confined spaces or use approved air-supplied respirator.



ELECTRIC AND MAGNETIC FIELDS (EMF) can affect Implanted Medical Devices.

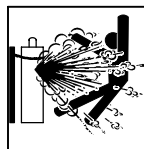
- Wearers of Pacemakers and other Implanted Medical Devices should keep away.
- Implanted Medical Device wearers should consult their doctor and the device manufacturer before going near arc welding, spot welding, gouging, plasma arc cutting, or induction heating operations.



NOISE can damage hearing.

Noise from some processes or equipment can damage hearing.

- Wear approved ear protection if noise level is high.



CYLINDERS can explode if damaged.

Shielding gas cylinders contain gas under high pressure. If damaged, a cylinder can explode. Since gas cylinders are normally part of the welding process, be sure to treat them carefully.

- Protect compressed gas cylinders from excessive heat, mechanical shocks, physical damage, slag, open flames, sparks, and arcs.
- Install cylinders in an upright position by securing to a stationary support or cylinder rack to prevent falling or tipping.
- Keep cylinders away from any welding or other electrical circuits.
- Never drape a welding torch over a gas cylinder.
- Never allow a welding electrode to touch any cylinder.
- Never weld on a pressurized cylinder – explosion will result.
- Use only correct shielding gas cylinders, regulators, hoses, and fittings designed for the specific application; maintain them and associated parts in good condition.
- Turn face away from valve outlet when opening cylinder valve.
- Keep protective cap in place over valve except when cylinder is in use or connected for use.
- Use the right equipment, correct procedures, and sufficient number of persons to lift and move cylinders.
- Read and follow instructions on compressed gas cylinders, associated equipment, and Compressed Gas Association (CGA) publication P-1 listed in Safety Standards.

1-3. Additional Symbols For Installation, Operation, And Maintenance



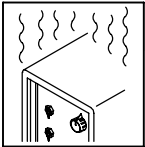
FIRE OR EXPLOSION hazard.

- Do not install or place unit on, over, or near combustible surfaces.
- Do not install unit near flammables.
- Do not overload building wiring – be sure power supply system is properly sized, rated, and protected to handle this unit.



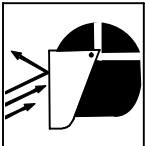
FALLING EQUIPMENT can injure.

- Use lifting eye to lift unit only, NOT running gear, gas cylinders, or any other accessories.
- Use equipment of adequate capacity to lift and support unit.
- If using lift forks to move unit, be sure forks are long enough to extend beyond opposite side of unit.
- Keep equipment (cables and cords) away from moving vehicles when working from an aerial location.
- Follow the guidelines in the Applications Manual for the Revised NIOSH Lifting Equation (Publication No. 94-110) when manually lifting heavy parts or equipment.



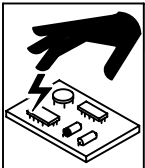
OVERUSE can cause OVERHEATING

- Allow cooling period; follow rated duty cycle.
- Reduce current or reduce duty cycle before starting to weld again.
- Do not block or filter airflow to unit.



FLYING SPARKS can injure.

- Wear a face shield to protect eyes and face.
- Shape tungsten electrode only on grinder with proper guards in a safe location wearing proper face, hand, and body protection.
- Sparks can cause fires — keep flammables away.



STATIC (ESD) can damage PC boards.

- Put on grounded wrist strap BEFORE handling boards or parts.
- Use proper static-proof bags and boxes to store, move, or ship PC boards.



MOVING PARTS can injure.

- Keep away from moving parts.
- Keep away from pinch points such as drive rolls.



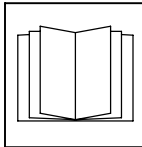
WELDING WIRE can injure.

- Do not press gun trigger until instructed to do so.
- Do not point gun toward any part of the body, other people, or any metal when threading welding wire.



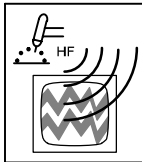
MOVING PARTS can injure.

- Keep away from moving parts such as fans.
- Keep all doors, panels, covers, and guards closed and securely in place.
- Have only qualified persons remove doors, panels, covers, or guards for maintenance and troubleshooting as necessary.
- Reinstall doors, panels, covers, or guards when maintenance is finished and before reconnecting input power.



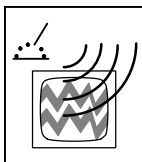
READ INSTRUCTIONS.

- Read and follow all labels and the Owner's Manual carefully before installing, operating, or servicing unit. Read the safety information at the beginning of the manual and in each section.
- Use only genuine replacement parts from the manufacturer.
- Perform maintenance and service according to the Owner's Manuals, industry standards, and national, state, and local codes.



H.F. RADIATION can cause interference.




- High-frequency (H.F.) can interfere with radio navigation, safety services, computers, and communications equipment.
- Have only qualified persons familiar with electronic equipment perform this installation.
- The user is responsible for having a qualified electrician promptly correct any interference problem resulting from the installation.
- If notified by the FCC about interference, stop using the equipment at once.
- Have the installation regularly checked and maintained.
- Keep high-frequency source doors and panels tightly shut, keep spark gaps at correct setting, and use grounding and shielding to minimize the possibility of interference.




ARC WELDING can cause interference.

- Electromagnetic energy can interfere with sensitive electronic equipment such as computers and computer-driven equipment such as robots.
- Be sure all equipment in the welding area is electromagnetically compatible.
- To reduce possible interference, keep weld cables as short as possible, close together, and down low, such as on the floor.
- Locate welding operation 100 meters from any sensitive electronic equipment.
- Be sure this welding machine is installed and grounded according to this manual.
- If interference still occurs, the user must take extra measures such as moving the welding machine, using shielded cables, using line filters, or shielding the work area.


1-4. California Proposition 65 Warnings

-  **Welding or cutting equipment produces fumes or gases which contain chemicals known to the State of California to cause birth defects and, in some cases, cancer. (California Health & Safety Code Section 25249.5 et seq.)**
-  **Battery posts, terminals and related accessories contain lead and lead compounds, chemicals known to the State of California to cause cancer and birth defects or other reproductive harm. *Wash hands after handling.***
-  **This product contains chemicals, including lead, known to the state of California to cause cancer, birth defects, or other reproductive harm. *Wash hands after use.***

For Gasoline Engines:

-  **Engine exhaust contains chemicals known to the State of California to cause cancer, birth defects, or other reproductive harm.**

For Diesel Engines:

-  **Diesel engine exhaust and some of its constituents are known to the State of California to cause cancer, birth defects, and other reproductive harm.**

1-5. Principal Safety Standards

Safety in Welding, Cutting, and Allied Processes, ANSI Standard Z49.1, from Global Engineering Documents (phone: 1-877-413-5184, website: www.global.ihs.com).

Safe Practices for the Preparation of Containers and Piping for Welding and Cutting, American Welding Society Standard AWS F4.1, from Global Engineering Documents (phone: 1-877-413-5184, website: www.global.ihs.com).

National Electrical Code, NFPA Standard 70, from National Fire Protection Association, Quincy, MA 02269 (phone: 1-800-344-3555, website: www.nfpa.org and www.sparky.org).

Safe Handling of Compressed Gases in Cylinders, CGA Pamphlet P-1, from Compressed Gas Association, 4221 Walney Road, 5th Floor, Chantilly, VA 20151 (phone: 703-788-2700, website: www.cganet.com).

Safety in Welding, Cutting, and Allied Processes, CSA Standard W117.2, from Canadian Standards Association, Standards Sales, 5060 Spectrum Way, Suite 100, Ontario, Canada L4W 5N5 (phone: 800-463-6727, website: www.csa-international.org).

Safe Practice For Occupational And Educational Eye And Face Protection, ANSI Standard Z87.1, from American National Standards Institute,

25 West 43rd Street, New York, NY 10036 (phone: 212-642-4900, website: www.ansi.org).

Standard for Fire Prevention During Welding, Cutting, and Other Hot Work, NFPA Standard 51B, from National Fire Protection Association, Quincy, MA 02269 (phone: 1-800-344-3555, website: www.nfpa.org).

OSHA, Occupational Safety and Health Standards for General Industry, Title 29, Code of Federal Regulations (CFR), Part 1910, Subpart Q, and Part 1926, Subpart J, from U.S. Government Printing Office, Superintendent of Documents, P.O. Box 371954, Pittsburgh, PA 15250-7954 (phone: 1-866-512-1800) (there are 10 OSHA Regional Offices—phone for Region 5, Chicago, is 312-353-2220, website: www.osha.gov).

U.S. Consumer Product Safety Commission (CPSC), 4330 East West Highway, Bethesda, MD 20814 (phone: 301-504-7923, website: www.cpsc.gov).

Applications Manual for the Revised NIOSH Lifting Equation, The National Institute for Occupational Safety and Health (NIOSH), 1600 Clifton Rd, Atlanta, GA 30333 (phone: 1-800-232-4636, website: www.cdc.gov/NIOSH).

1-6. EMF Information

Electric current flowing through any conductor causes localized electric and magnetic fields (EMF). Welding current creates an EMF field around the welding circuit and welding equipment. EMF fields may interfere with some medical implants, e.g. pacemakers. Protective measures for persons wearing medical implants have to be taken. For example, access restrictions for passers—by or individual risk assessment for welders. All welders should use the following procedures in order to minimize exposure to EMF fields from the welding circuit:

1. Keep cables close together by twisting or taping them, or using a cable cover.
2. Do not place your body between welding cables. Arrange cables to one side and away from the operator.
3. Do not coil or drape cables around your body.

4. Keep head and trunk as far away from the equipment in the welding circuit as possible.
5. Connect work clamp to workpiece as close to the weld as possible.
6. Do not work next to, sit or lean on the welding power source.
7. Do not weld whilst carrying the welding power source or wire feeder.

About Implanted Medical Devices:

Implanted Medical Device wearers should consult their doctor and the device manufacturer before performing or going near arc welding, spot welding, gouging, plasma arc cutting, or induction heating operations. If cleared by your doctor, then following the above procedures is recommended.

SECTION 2 – CONSIGNES DE SÉCURITÉ – LIRE AVANT UTILISATION

fre_som_2010-03

! Se protéger et protéger les autres contre le risque de blessure — lire et respecter ces consignes.

2-1. Symboles utilisés



DANGER! – Indique une situation dangereuse qui si on l'évite pas peut donner la mort ou des blessures graves. Les dangers possibles sont montrés par les symboles joints ou sont expliqués dans le texte.



Indique une situation dangereuse qui si on l'évite pas peut donner la mort ou des blessures graves. Les dangers possibles sont montrés par les symboles joints ou sont expliqués dans le texte.

NOTE – Indique des déclarations pas en relation avec des blessures personnelles.

 Indique des instructions spécifiques.



Ce groupe de symboles veut dire Avertissement! Attention! DANGER DE CHOC ELECTRIQUE, PIECES EN MOUVEMENT, et PIECES CHAUDES. Consulter les symboles et les instructions ci-dessous y afférant pour les actions nécessaires afin d'éviter le danger.

2-2. Dangers relatifs au soudage à l'arc



Les symboles représentés ci-dessous sont utilisés dans ce manuel pour attirer l'attention et identifier les dangers possibles. En présence de l'un de ces symboles, prendre garde et suivre les instructions afférentes pour éviter tout risque. Les instructions en matière de sécurité indiquées ci-dessous ne constituent qu'un sommaire des instructions de sécurité plus complètes fournies dans les normes de sécurité énumérées dans la Section 2-5. Lire et observer toutes les normes de sécurité.



Seul un personnel qualifié est autorisé à installer, faire fonctionner, entretenir et réparer cet appareil.



Pendant le fonctionnement, maintenir à distance toutes les personnes, notamment les enfants de l'appareil.



UNE DÉCHARGE ÉLECTRIQUE peut entraîner la mort.

Le contact d'organes électriques sous tension peut provoquer des accidents mortels ou des brûlures graves. Le circuit de l'électrode et de la pièce est sous tension lorsque le courant est délivré à la sortie. Le circuit d'alimentation et les circuits internes de la machine sont également sous tension lorsque l'alimentation est sur Marche. Dans le mode de soudage avec du fil, le fil, le dérouleur, le bloc de commande du rouleau et toutes les parties métalliques en contact avec le fil sont sous tension électrique. Un équipement installé ou mis à la terre de manière incorrecte ou impropre constitue un danger.

- Ne pas toucher aux pièces électriques sous tension.
 - Porter des gants isolants et des vêtements de protection secs et sans trous.
 - S'isoler de la pièce à couper et du sol en utilisant des housses ou des tapis assez grands afin d'éviter tout contact physique avec la pièce à couper ou le sol.
 - Ne pas se servir de source électrique à courant électrique dans les zones humides, dans les endroits confinés ou là où on risque de tomber.
 - Se servir d'une source électrique à courant électrique UNIQUEMENT si le procédé de soudage le demande.
 - Si l'utilisation d'une source électrique à courant électrique s'avère nécessaire, se servir de la fonction de télécommande si l'appareil en est équipé.
 - D'autres consignes de sécurité sont nécessaires dans les conditions suivantes : risques électriques dans un environnement humide ou si l'on porte des vêtements mouillés ; sur des structures métalliques telles que sols, grilles ou échafaudages ; en position coincée comme assise, à genoux ou couchée ; ou s'il y a un risque élevé de contact inévitable ou accidentel avec la pièce à souder ou le sol. Dans ces conditions, utiliser les équipements suivants,
- dans l'ordre indiqué : 1) un poste à souder DC à tension constante (à fil), 2) un poste à souder DC manuel (électrode) ou 3) un poste à souder AC à tension à vide réduite. Dans la plupart des situations, l'utilisation d'un poste à souder DC à fil à tension constante est recommandée. En outre, ne pas travailler seul !
 - Couper l'alimentation ou arrêter le moteur avant de procéder à l'installation, à la réparation ou à l'entretien de l'appareil. Déverrouiller l'alimentation selon la norme OSHA 29 CFR 1910.147 (voir normes de sécurité).
 - Installer le poste correctement et le mettre à la terre convenablement selon les consignes du manuel de l'opérateur et les normes nationales, provinciales et locales.
 - Toujours vérifier la terre du cordon d'alimentation. Vérifier et s'assurer que le fil de terre du cordon d'alimentation est bien raccordé à la borne de terre du sectionneur ou que la fiche du cordon est raccordée à une prise correctement mise à la terre.
 - En effectuant les raccordements d'entrée, fixer d'abord le conducteur de mise à la terre approprié et contre-vérifier les connexions.
 - Les câbles doivent être exempts d'humidité, d'huile et de graisse; protégez-les contre les étincelles et les pièces métalliques chaudes.
 - Vérifier fréquemment le cordon d'alimentation afin de s'assurer qu'il n'est pas altéré ou à nu, le remplacer immédiatement s'il l'est. Un fil à nu peut entraîner la mort.
 - L'équipement doit être hors tension lorsqu'il n'est pas utilisé.
 - Ne pas utiliser des câbles usés, endommagés, de grosseur insuffisante ou mal épissés.
 - Ne pas enrouler les câbles autour du corps.
 - Si la pièce soudée doit être mise à la terre, le faire directement avec un câble distinct.
 - Ne pas toucher l'électrode quand on est en contact avec la pièce, la terre ou une électrode provenant d'une autre machine.
 - Ne pas toucher des porte électrodes connectés à deux machines en même temps à cause de la présence d'une tension à vide doublée.
 - N'utiliser qu'un matériel en bon état. Réparer ou remplacer sur-le-champ les pièces endommagées. Entretenir l'appareil conformément à ce manuel.
 - Porter un harnais de sécurité si l'on doit travailler au-dessus du sol.
 - S'assurer que tous les panneaux et couvercles sont correctement en place.
 - Fixer le câble de retour de façon à obtenir un bon contact métal-métal avec la pièce à souder ou la table de travail, le plus près possible de la soudure.
 - Isoler la pince de masse quand pas mis à la pièce pour éviter le contact avec tout objet métallique.
 - Ne pas raccorder plus d'une électrode ou plus d'un câble de masse à une même borne de sortie de soudage.

Il reste une TENSION DC NON NÉGLIGEABLE dans les sources de soudage onduleur UNE FOIS l'alimentation coupée.

- Arrêter les convertisseurs, débrancher le courant électrique et décharger les condensateurs d'alimentation selon les instructions indiquées dans la partie Entretien avant de toucher les pièces.



LES PIÈCES CHAUDES peuvent provoquer des brûlures.

- Ne pas toucher à mains nues les parties chaudes.
- Prévoir une période de refroidissement avant de travailler à l'équipement.
- Ne pas toucher aux pièces chaudes, utiliser les outils recommandés et porter des gants de soudage et des vêtements épais pour éviter les brûlures.



LES FUMÉES ET LES GAZ peuvent être dangereux.

Le soudage génère des fumées et des gaz. Leur inhalation peut être dangereux pour votre santé.

- Eloigner votre tête des fumées. Ne pas respirer les fumées.
- À l'intérieur, ventiler la zone et/ou utiliser une ventilation forcée au niveau de l'arc pour l'évacuation des fumées et des gaz de soudage.
- Si la ventilation est médiocre, porter un respirateur anti-vapeurs approuvé.
- Lire et comprendre les spécifications de sécurité des matériaux (MSDS) et les instructions du fabricant concernant les métaux, les consommables, les revêtements, les nettoyants et les dégraissants.
- Travailler dans un espace fermé seulement s'il est bien ventilé ou en portant un respirateur à alimentation d'air. Demander toujours à un surveillant dûment formé de se tenir à proximité. Des fumées et des gaz de soudage peuvent déplacer l'air et abaisser le niveau d'oxygène provoquant des blessures ou des accidents mortels. S'assurer que l'air de respiration ne présente aucun danger.
- Ne pas souder dans des endroits situés à proximité d'opérations de dégraissage, de nettoyage ou de pulvérisation. La chaleur et les rayons de l'arc peuvent réagir en présence de vapeurs et former des gaz hautement toxiques et irritants.
- Ne pas souder des métaux munis d'un revêtement, tels que l'acier galvanisé, plaqué en plomb ou au cadmium à moins que le revêtement n'ait été enlevé dans la zone de soudure, que l'endroit soit bien ventilé, et en portant un respirateur à alimentation d'air. Les revêtements et tous les métaux renfermant ces éléments peuvent dégager des fumées toxiques en cas de soudage.



LES RAYONS DE L'ARC peuvent provoquer des brûlures dans les yeux et sur la peau.

Le rayonnement de l'arc du procédé de soudage génère des rayons visibles et invisibles intenses (ultraviolets et infrarouges) susceptibles de provoquer des brûlures dans les yeux et sur la peau. Des étincelles sont projetées pendant le soudage.

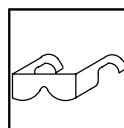
- Porter un casque de soudage approuvé muni de verres filtrants appropriés pour protéger visage et yeux pour protéger votre visage et vos yeux pendant le soudage ou pour regarder (voir ANSI Z49.1 et Z87.1 énuméré dans les normes de sécurité).
- Porter des lunettes de sécurité avec écrans latéraux même sous votre casque.
- Avoir recours à des écrans protecteurs ou à des rideaux pour protéger les autres contre les rayonnements les éblouissements et les étincelles ; prévenir toute personne sur les lieux de ne pas regarder l'arc.
- Porter des vêtements confectionnés avec des matières résistantes et ignifuges (cuir, coton lourd ou laine) et des bottes de protection.



LE SOUDAGE peut provoquer un incendie ou une explosion.

Le soudage effectué sur des conteneurs fermés tels que des réservoirs, tambours ou des conduites peut provoquer leur éclatement. Des étincelles peuvent être projetées de l'arc de soudage. La projection d'étincelles, des pièces chaudes et des équipements chauds peut provoquer des incendies et des brûlures. Le contact accidentel de l'électrode avec des objets métalliques peut provoquer des étincelles, une explosion, un surchauffement ou un incendie. Avant de commencer le soudage, vérifier et s'assurer que l'endroit ne présente pas de danger.

- Déplacer toutes les substances inflammables à une distance de 10,7 m de l'arc de soudage. En cas d'impossibilité les recouvrir soigneusement avec des protections homologués.
- Ne pas souder dans un endroit où des étincelles peuvent tomber sur des substances inflammables.
- Se protéger et d'autres personnes de la projection d'étincelles et de métal chaud.
- Des étincelles et des matériaux chauds du soudage peuvent facilement passer dans d'autres zones en traversant de petites fissures et des ouvertures.
- Surveiller tout déclenchement d'incendie et tenir un extincteur à proximité.
- Le soudage effectué sur un plafond, plancher, paroi ou séparation peut déclencher un incendie de l'autre côté.
- Ne pas effectuer le soudage sur des conteneurs fermés tels que des réservoirs, tambours, ou conduites, à moins qu'ils n'aient été préparés correctement conformément à AWS F4.1 (voir les normes de sécurité).
- Ne soudez pas si l'air ambiant est chargé de particules, gaz, ou vapeurs inflammables (vapeur d'essence, par exemple).
- Brancher le câble de masse sur la pièce la plus près possible de la zone de soudage pour éviter le transport du courant sur une longue distance par des chemins inconnus éventuels en provoquant des risques d'électrocution, d'étincelles et d'incendie.
- Ne pas utiliser le poste de soudage pour dégeler des conduites gelées.
- En cas de non utilisation, enlever la baguette d'électrode du porte-électrode ou couper le fil à la pointe de contact.
- Porter des vêtements de protection dépourvus d'huile tels que des gants en cuir, une chemise en matériau lourd, des pantalons sans revers, des chaussures hautes et un couvre chef.
- Avant de souder, retirer toute substance combustible de vos poches telles qu'un allumeur au butane ou des allumettes.
- Une fois le travail achevé, assurez-vous qu'il ne reste aucune trace d'étincelles incandescentes ni de flammes.
- Utiliser exclusivement des fusibles ou coupe-circuits appropriés. Ne pas augmenter leur puissance; ne pas les ponter.
- Une fois le travail achevé, assurez-vous qu'il ne reste aucune trace d'étincelles incandescentes ni de flammes.
- Utiliser exclusivement des fusibles ou coupe-circuits appropriés. Ne pas augmenter leur puissance; ne pas les ponter.
- Suivre les recommandations dans OSHA 1910.252(a)(2)(iv) et NFPA 51B pour les travaux à chaud et avoir de la surveillance et un extincteur à proximité.



DES PIÈCES DE METAL ou DES SALETES peuvent provoquer des blessures dans les yeux.

- Le soudage, l'écaillage, le passage de la pièce à la brosse en fil de fer, et le meulage génèrent des étincelles et des particules métalliques volantes. Pendant la période de refroidissement des soudures, elles risquent de projeter du laitier.
- Porter des lunettes de sécurité avec écrans latéraux ou un écran facial.



LES ACCUMULATIONS DE GAZ risquent de provoquer des blessures ou même la mort.

- Fermer l'alimentation du gaz protecteur en cas de non-utilisation.
- Veiller toujours à bien aérer les espaces confinés ou se servir d'un respirateur d'adduction d'air homologué.



Les CHAMPS ÉLECTROMAGNÉTIQUES (CEM) peuvent affecter les implants médicaux.

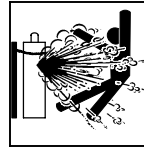
- Les porteurs de stimulateurs cardiaques et autres implants médicaux doivent rester à distance.
- Les porteurs d'implants médicaux doivent consulter leur médecin et le fabricant du dispositif avant de s'approcher de la zone où se déroule du soudage à l'arc, du soudage par points, du gougeage, de la découpe plasma ou une opération de chauffage par induction.



LE BRUIT peut endommager l'ouïe.

Le bruit des processus et des équipements peut affecter l'ouïe.

- Porter des protections approuvées pour les oreilles si le niveau sonore est trop élevé.



LES BOUTEILLES peuvent exploser si elles sont endommagées.

Des bouteilles de gaz protecteur contiennent du gaz sous haute pression. Si une bouteille est endommagée, elle peut exploser. Du fait que les bouteilles de gaz font normalement partie du procédé de soudage, les manipuler avec précaution.

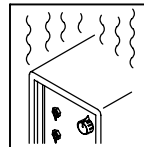
- Protéger les bouteilles de gaz comprimé d'une chaleur excessive, des chocs mécaniques, des dommages physiques, du laitier, des flammes ouvertes, des étincelles et des arcs.
- Placer les bouteilles debout en les fixant dans un support stationnaire ou dans un porte-bouteilles pour les empêcher de tomber ou de se renverser.
- Tenir les bouteilles éloignées des circuits de soudage ou autres circuits électriques.
- Ne jamais placer une torche de soudage sur une bouteille à gaz.
- Une électrode de soudage ne doit jamais entrer en contact avec une bouteille.
- Ne jamais souder une bouteille pressurisée – risque d'explosion.
- Utiliser seulement des bouteilles de gaz protecteur, régulateurs, tuyaux et raccords convenables pour cette application spécifique ; les maintenir ainsi que les éléments associés en bon état.
- Détourner votre visage du détendeur-régulateur lorsque vous ouvrez la soupape de la bouteille.
- Le couvercle du détendeur doit toujours être en place, sauf lorsque la bouteille est utilisée ou qu'elle est reliée pour usage ultérieur.
- Utiliser les équipements corrects, les bonnes procédures et suffisamment de personnes pour soulever et déplacer les bouteilles.
- Lire et suivre les instructions sur les bouteilles de gaz comprimé, l'équipement connexe et le dépliant P-1 de la CGA (Compressed Gas Association) mentionné dans les principales normes de sécurité.

2-3. Dangers supplémentaires en relation avec l'installation, le fonctionnement et la maintenance



Risque D'INCENDIE OU D'EXPLOSION.

- Ne pas placer l'appareil sur, au-dessus ou à proximité de surfaces inflammables.
- Ne pas installer l'appareil à proximité de produits inflammables.
- Ne pas surcharger l'installation électrique – s'assurer que l'alimentation est correctement dimensionnée et protégée avant de mettre l'appareil en service.



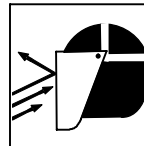
L'EMPLOI EXCESSIF peut SURCHAUFFER L'ÉQUIPEMENT.

- Prévoir une période de refroidissement ; respecter le cycle opératoire nominal.
- Réduire le courant ou le facteur de marche avant de poursuivre le soudage.
- Ne pas obstruer les passages d'air du poste.



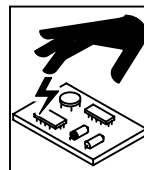
LA CHUTE DE L'ÉQUIPEMENT peut provoquer des blessures.

- Utiliser l'anneau de levage uniquement pour soulever l'appareil, NON PAS les chariots, les bouteilles de gaz ou tout autre accessoire.
- Utiliser un équipement de levage de capacité suffisante pour lever l'appareil.
- En utilisant des fourches de levage pour déplacer l'unité, s'assurer que les fourches sont suffisamment longues pour dépasser du côté opposé de l'appareil.
- Tenir l'équipement (câbles et cordons) à distance des véhicules mobiles lors de toute opération en hauteur.
- Suivre les consignes du Manuel des applications pour l'équation de levage NIOSH révisée (Publication N°94-110) lors du levage manuel de pièces ou équipements lourds.



LES ÉTINCELLES PROJÉTÉES peuvent provoquer des blessures.

- Porter un écran facial pour protéger le visage et les yeux.
- Affûter l'électrode au tungstène uniquement à la meuleuse dotée de protecteurs. Cette manœuvre est à exécuter dans un endroit sûr lorsque l'on porte l'équipement homologué de protection du visage, des mains et du corps.
- Les étincelles risquent de causer un incendie – éloigner toute substance inflammable.



LES CHARGES ÉLECTROSTATIQUES peuvent endommager les circuits imprimés.

- Établir la connexion avec la barrette de terre avant de manipuler des cartes ou des pièces.
- Utiliser des pochettes et des boîtes antistatiques pour stocker, déplacer ou expédier des cartes de circuits imprimés.



Les PIÈCES MOBILES peuvent causer des blessures.

- Ne pas s'approcher des organes mobiles.
- Ne pas s'approcher des points de coincement tels que des rouleaux de commande.



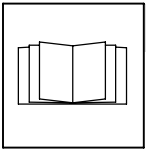
LES FILS DE SOUDAGE peuvent provoquer des blessures.

- Ne pas appuyer sur la gâchette avant d'en avoir reçu l'instruction.
- Ne pas diriger le pistolet vers soi, d'autres personnes ou toute pièce mécanique en engageant le fil de soudage.



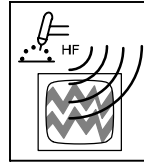
Les PIÈCES MOBILES peuvent causer des blessures.

- S'abstenir de toucher des organes mobiles tels que des ventilateurs.
- Maintenir fermés et verrouillés les portes, panneaux, recouvrements et dispositifs de protection.
- Lorsque cela est nécessaire pour des travaux d'entretien et de dépannage, faire retirer les portes, panneaux, recouvrements ou dispositifs de protection uniquement par du personnel qualifié.
- Remettre les portes, panneaux, recouvrements ou dispositifs de protection quand l'entretien est terminé et avant de rebrancher l'alimentation électrique.



LIRE LES INSTRUCTIONS.

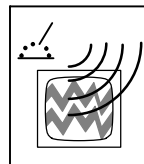
- Lire et appliquer les instructions sur les étiquettes et le Mode d'emploi avant l'installation, l'utilisation ou l'entretien de l'appareil. Lire les informations de sécurité au début du manuel et dans chaque section.
- N'utiliser que les pièces de rechange recommandées par le constructeur.
- Effectuer l'entretien en respectant les manuels d'utilisation, les normes industrielles et les codes nationaux, d'état et locaux.



LE RAYONNEMENT HAUTE FRÉQUENCE (H.F.) risque de provoquer des interférences.

- Le rayonnement haute fréquence (H.F.) peut provoquer des interférences avec les équipements de radio-navigation et de communication, les services de sécurité et les ordinateurs.

- Demander seulement à des personnes qualifiées familiarisées avec des équipements électroniques de faire fonctionner l'installation.
- L'utilisateur est tenu de faire corriger rapidement par un électricien qualifié les interférences résultant de l'installation.
- Si le FCC signale des interférences, arrêter immédiatement l'appareil.
- Effectuer régulièrement le contrôle et l'entretien de l'installation.
- Maintenir soigneusement fermés les portes et les panneaux des sources de haute fréquence, maintenir les éclateurs à une distance correcte et utiliser une terre et un blindage pour réduire les interférences éventuelles.



LE SOUDAGE À L'ARC risque de provoquer des interférences.

- L'énergie électromagnétique risque de provoquer des interférences pour l'équipement électronique sensible tel que les ordinateurs et l'équipement commandé par ordinateur tel que les robots.

- Veiller à ce que tout l'équipement de la zone de soudage soit compatible électromagnétiquement.
- Pour réduire la possibilité d'interférence, maintenir les câbles de soudage aussi courts que possible, les grouper, et les poser aussi bas que possible (ex. par terre).
- Veiller à souder à une distance de 100 mètres de tout équipement électronique sensible.
- Veiller à ce que ce poste de soudage soit posé et mis à la terre conformément à ce mode d'emploi.
- En cas d'interférences après avoir pris les mesures précédentes, il incombe à l'utilisateur de prendre des mesures supplémentaires telles que le déplacement du poste, l'utilisation de câbles blindés, l'utilisation de filtres de ligne ou la pose de protecteurs dans la zone de travail.

2-4. Proposition californienne 65 Avertissements

⚠ Les équipements de soudage et de coupage produisent des fumées et des gaz qui contiennent des produits chimiques dont l'État de Californie reconnaît qu'ils provoquent des malformations congénitales et, dans certains cas, des cancers. (Code de santé et de sécurité de Californie, chapitre 25249.5 et suivants)

⚠ Les batteries, les bornes et autres accessoires contiennent du plomb et des composés à base de plomb, produits chimiques dont l'État de Californie reconnaît qu'ils provoquent des cancers et des malformations congénitales ou autres problèmes de procréation. Se laver les mains après manipulation.

⚠ Ce produit contient des produits chimiques, notamment du plomb, dont l'État de Californie reconnaît qu'ils provoquent

des cancers, des malformations congénitales ou d'autres problèmes de procréation. Se laver les mains après utilisation.

Pour les moteurs à essence :

⚠ Les gaz d'échappement des moteurs contiennent des produits chimiques dont l'État de Californie reconnaît qu'ils provoquent des cancers et des malformations congénitales ou autres problèmes de procréation.

Pour les moteurs diesel :

⚠ Les gaz d'échappement des moteurs diesel et certains de leurs composants sont reconnus par l'État de Californie comme provoquant des cancers et des malformations congénitales ou autres problèmes de procréation.

2-5. Principales normes de sécurité

Safety in Welding, Cutting, and Allied Processes, ANSI Standard Z49.1, de Global Engineering Documents (téléphone : 1-877-413-5184, site Internet : www.global.ihc.com).

Safe Practices for the Preparation of Containers and Piping for Welding and Cutting, American Welding Society Standard AWS F4.1, de Global Engineering Documents (téléphone : 1-877-413-5184, site internet : www.global.ihc.com).

National Electrical Code, NFPA Standard 70, de National Fire Protection Association, Quincy, MA 02269 (téléphone : 800-344-3555, site Internet : www.nfpa.org et www.sparky.org).

Safe Handling of Compressed Gases in Cylinders, CGA Pamphlet P-1, de Compressed Gas Association, 4221 Walney Road, 5th Floor, Chantilly, VA 20151 (téléphone : 703-788-2700, site Internet : www.cganet.com).

Safety in Welding, Cutting, and Allied Processes, CSA Standard W117.2, de Canadian Standards Association, Standards Sales, 5060 Spectrum Way, Suite 100, Ontario, Canada L4W 5NS (téléphone : 800-463-6727, site internet : www.csa-international.org).

Safe Practice For Occupational And Educational Eye And Face Protection, ANSI Standard Z87.1, de American National Standards Institute,

25 West 43rd Street, New York, NY 10036 (téléphone : 212-642-4900, site Internet : www.ansi.org).

Standard for Fire Prevention During Welding, Cutting, and Other Hot Work, NFPA Standard 51B, de National Fire Protection Association, P.O. Box 9101, Quincy, MA 02269-9101 (téléphone : 617-770-3000, site Internet : www.nfpa.org).

OSHA, Occupational Safety and Health Standards for General Industry, Title 29, Code of Federal Regulations (CFR), Part 1910, Subpart Q, and Part 1926, Subpart J, de U.S. Government Printing Office, Superintendent of Documents, P.O. Box 371954, Pittsburgh, PA 15250-7954 (téléphone : 1-866-512-1800) (il y a 10 bureaux régionaux – le téléphone de la région 5, Chicago, est 312-353-2220, site Internet : www.osha.gov).

U.S. Consumer Product Safety Commission (CPSC), 4330 East West Highway, Bethesda, MD 20814 (téléphone : 301-504-7923, site internet : www.cpsc.gov).

Applications Manual for the Revised NIOSH Lifting Equation, The National Institute for Occupational Safety and Health (NIOSH), 1600 Clifton Rd, Atlanta, GA 30333 (téléphone : 1-800-232-4636, site internet : www.cdc.gov/NIOSH).

2-6. Informations relatives aux CEM

Le courant électrique qui traverse tout conducteur génère des champs électromagnétiques (CEM) à certains endroits. Le courant de soudage crée un CEM autour du circuit et du matériel de soudage. Les CEM peuvent créer des interférences avec certains implants médicaux comme des stimulateurs cardiaques. Des mesures de protection pour les porteurs d'implants médicaux doivent être prises: par exemple, des restrictions d'accès pour les passants ou une évaluation individuelle des risques pour les soudeurs. Tous les soudeurs doivent appliquer les procédures suivantes pour minimiser l'exposition aux CEM provenant du circuit de soudage:

1. Rassembler les câbles en les torsadant ou en les attachant avec du ruban adhésif ou avec une housse.
2. Ne pas se tenir au milieu des câbles de soudage. Disposer les câbles d'un côté et à distance de l'opérateur.
3. Ne pas courber et ne pas entourer les câbles autour de votre corps.

4. Maintenir la tête et le torse aussi loin que possible du matériel du circuit de soudage.
5. Connecter la pince sur la pièce aussi près que possible de la soudure.
6. Ne pas travailler à proximité d'une source de soudage, ni s'asseoir ou se pencher dessus.
7. Ne pas souder tout en portant la source de soudage ou le dévidoir.

En ce qui concerne les implants médicaux :

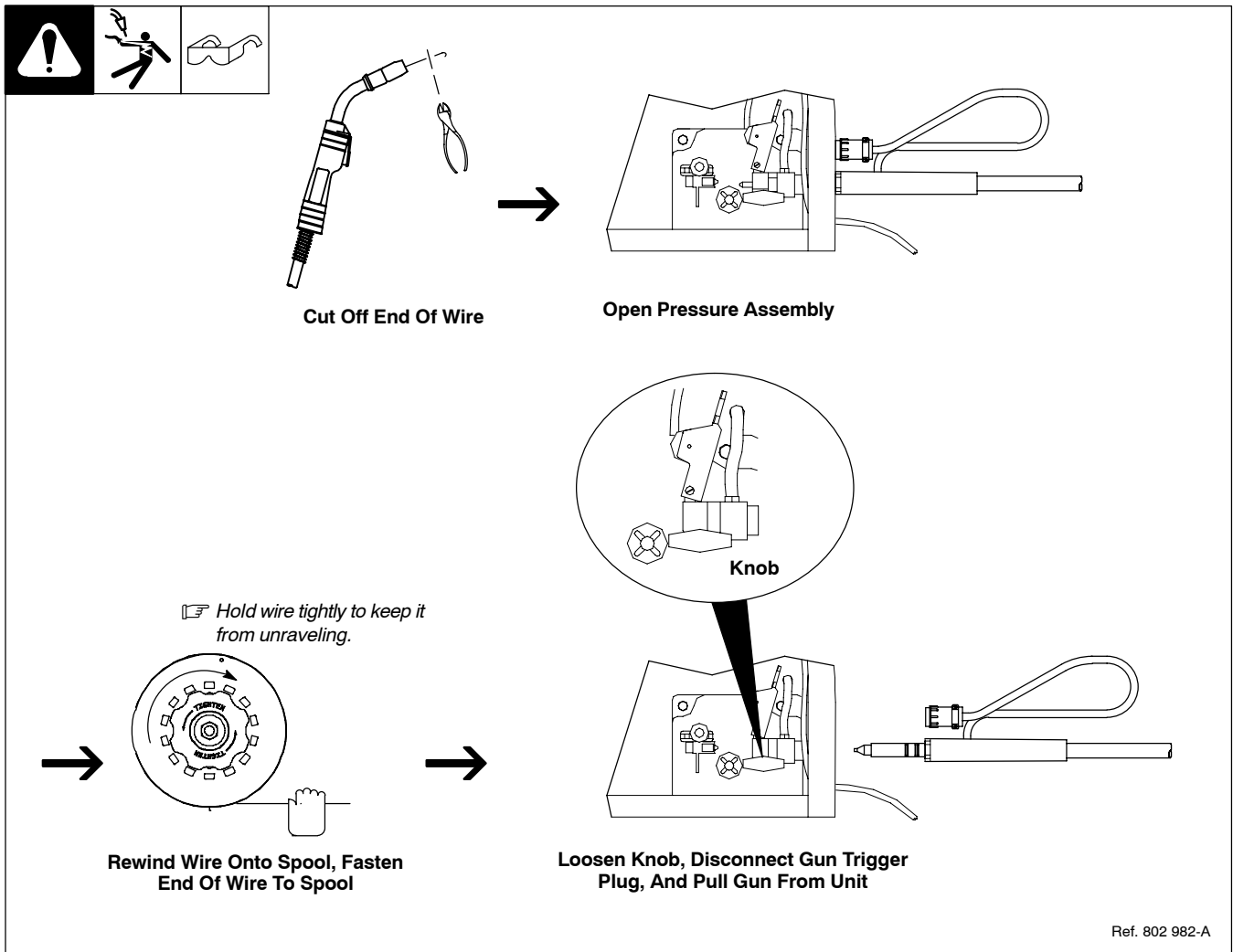
Les porteurs d'implants doivent d'abord consulter leur médecin avant de s'approcher des opérations de soudage à l'arc, de soudage par points, de gougeage, du coupage plasma ou de chauffage par induction. Si le médecin approuve, il est recommandé de suivre les procédures précédentes.

SECTION 3 – INSTALLATION

3-1. Specifications

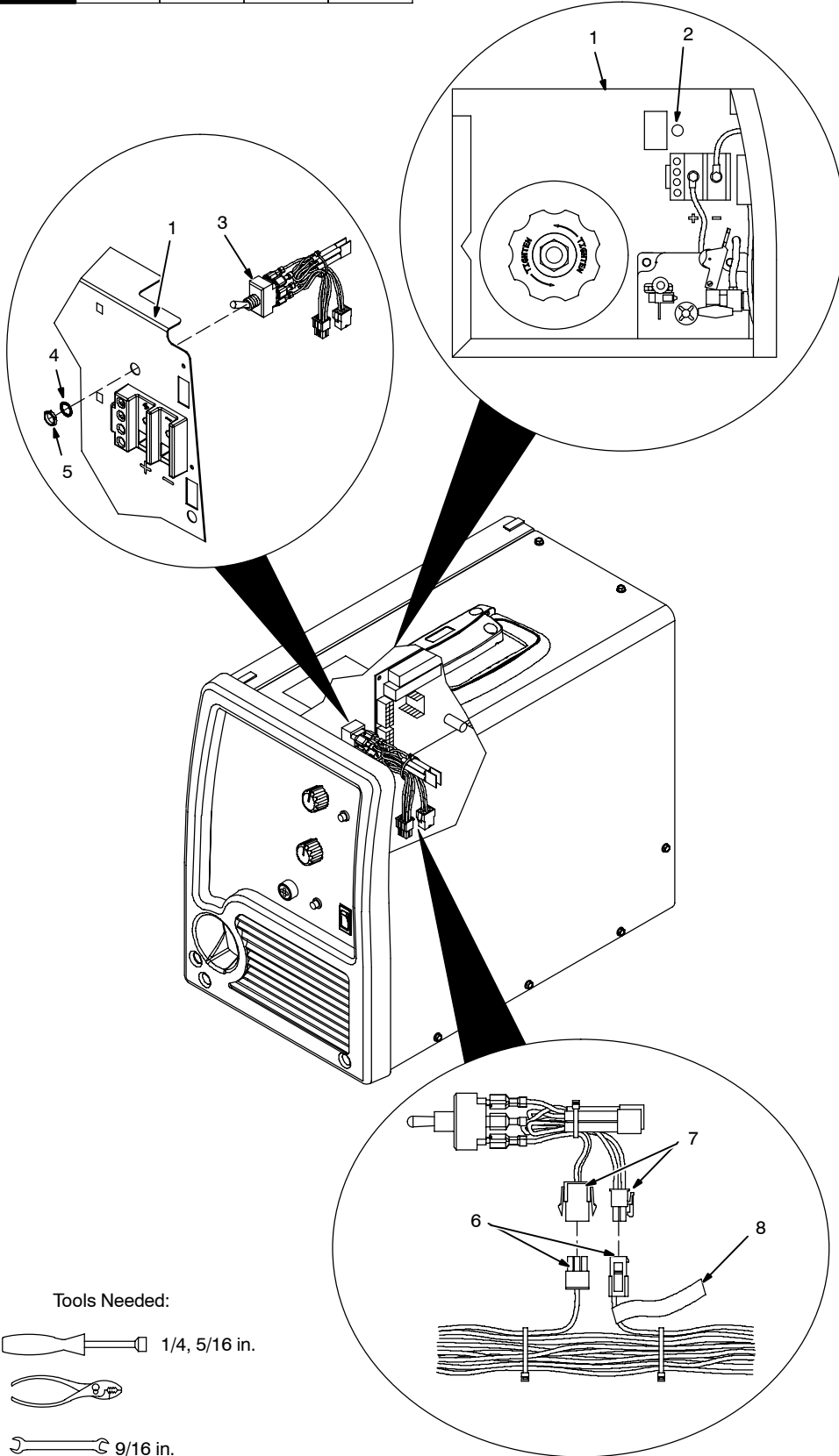
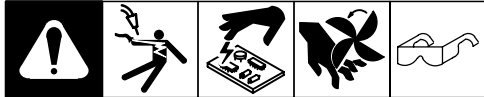
Wire Diameter Range	Approximate Wire Feed Range	Cooling Method	Maximum Spool Size	Weld Circuit Rating	Overall Dimensions	Weight
.030 Thru .035 in. (0.8 Thru 0.9 mm) Aluminum Wire Or Flux Cored Wire	Millermatic 140 AutoSet: 5 To 365 ipm (0.13 To 9.27 mpm) Millermatic 140: 5 To 435 ipm (0.13 To 11.05 mpm)	Air Cooled	4 in. (102 mm) Diameter	22.5 Volts, 135 Amperes, 30% Duty Cycle Using Argon Shielding Gas	Length: 13 in. (330 mm) Width: 2-1/4 in. (57 mm) Height: 8 in. (203 mm)	5.6 lb (2.54 kg) Gun With Cable
.023 Thru 035 in. (0.6 Thru 0.9 mm) Solid Wire	Millermatic 180 And Renegade 180: 65 To 625 ipm (1.65 To 15.88 mpm)					

3-2. Removing MIG Gun From Welding Power Source

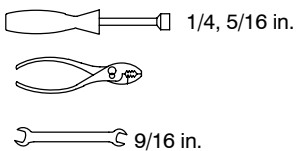


3-3. Connecting Spool Gun To Millermatic 140/180 Models

A. Installing Optional Spool Gun Switch In Millermatic 140/180 Models



Tools Needed:



For Renegade 180 And Passport Plus Models: Discard switch assembly; unit is pre-wired for spool gun option. Go to Section 3-5 or 3-6.

Turn Off unit, and disconnect input power.

For units prior to Serial No. LH210051N, use retrokit part no. 300409 for installing spool gun switch.

Remove wrapper from welding power source.

- 1 Welding Power Source Center Baffle
- 2 Snap-in Blank
- 3 Switch Assembly
- 4 Star Washer
- 5 Jam Nut

Remove top jam nut and star washer from switch (switch is equipped with two nuts, a jam nut and a backing nut).

Insert switch assembly into center baffle so that keyway in switch shaft is facing up.

Secure switch to center baffle with star washer and jam nut. Tighten jam nut enough to keep switch from rotating.

- 6 Wiring Harness Connectors
- 7 Switch Connectors
- 8 Label

Locate and separate connectors in wiring harness near label.

Connect switch connectors to matching connectors in wiring harness.

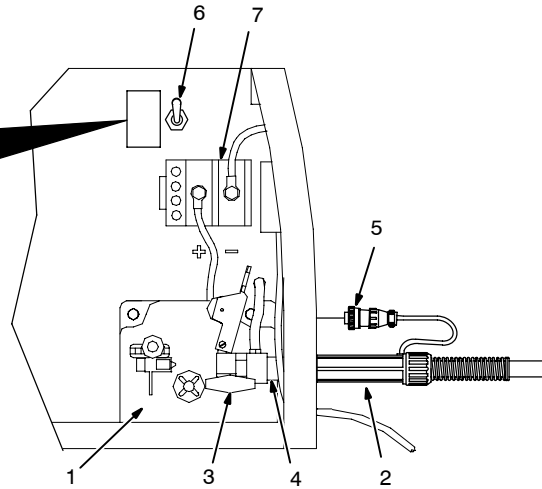
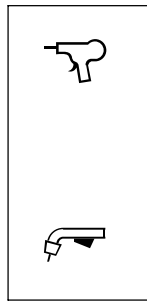
Install wrapper on unit.

Operation:

Place switch in the position with the spool gun symbol on the label for spool gun operation. Place switch in the position with the MIG gun symbol on the label for wire feeder/MIG (GMAW) gun operation.

When the switch is in the spool gun position, spool gun wire feed speed and voltage are controlled by welding power source controls.

B. Connecting Spool Gun To Millermatic 140/180



- 1 Drive Assembly
- 2 Spool Gun
- 3 Gun Securing Knob
- 4 Gun End

Loosen thumbscrew. Insert end through opening until it bottoms against drive assembly. Tighten gun securing knob.

Spool gun must be inserted completely to prevent leakage of shielding gas.

- 5 Gun Trigger Plug

Insert plug into receptacle, and tighten threaded collar.

- 6 Spool Gun/MIG Gun Switch

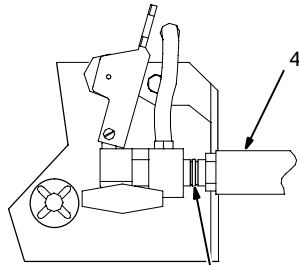
Place switch in Spool Gun position.

- 7 Polarity Changeover Terminal Block

To make proper polarity connection, see welding power source Owner's Manual.

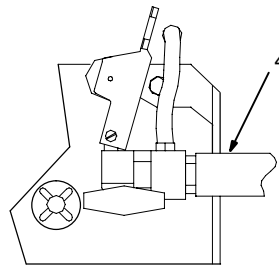
Close door.

⚠ Be sure that gun end is tight against drive assembly.



**Incorrect
Gun Not Seated**

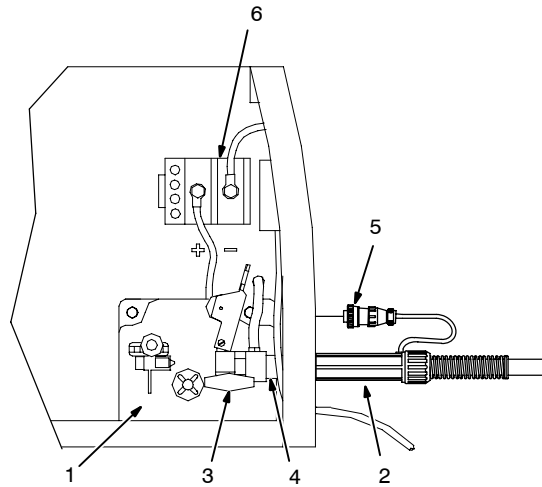
Exposed O-rings
will cause shielding
gas leakage.



**Correct
Gun Fully Seated**

804 984-A / Ref. 801 987

3-4. Connecting Spool Gun To Millermatic 211 Auto-Set™



- 1 Drive Assembly
- 2 Spool Gun
- 3 Gun Securing Knob
- 4 Gun End

Loosen thumbscrew. Insert end through opening until it bottoms against drive assembly. Tighten gun securing knob.

Spool gun must be inserted completely to prevent leakage of shielding gas.

- 5 Gun Trigger Plug

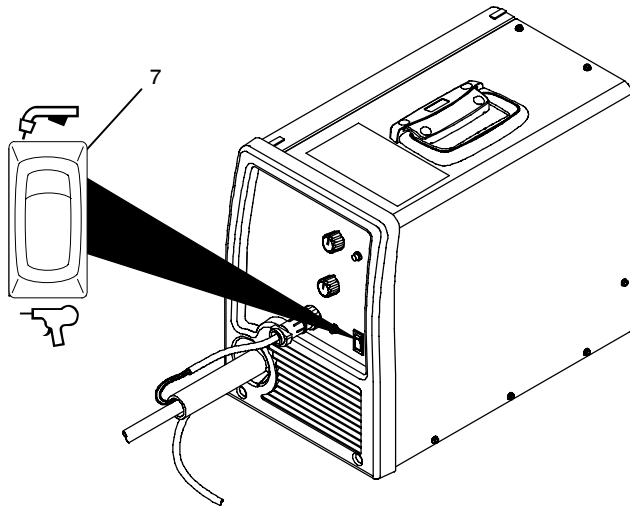
Insert plug into receptacle, and tighten threaded collar.

- 6 Polarity Changeover Terminal Block

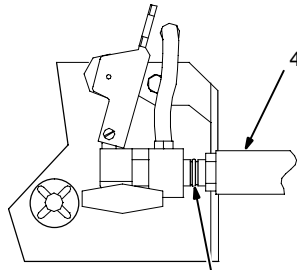
To make proper polarity connection, see welding power source Owner's Manual.

- 7 MIG Gun/Spool Gun Switch

Place switch in Spool Gun position. Close door.

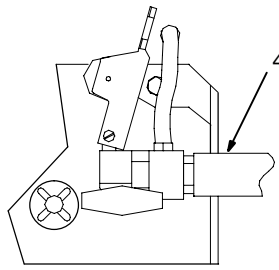


☞ Be sure that gun end is tight against drive assembly.



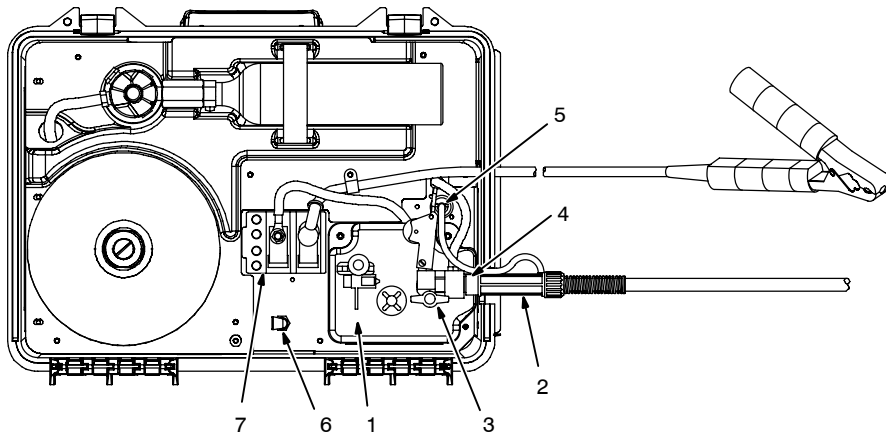
Incorrect
Gun Not Seated

Exposed O-rings will cause shielding gas leakage.



Correct
Gun Fully Seated

3-5. Connecting Spool Gun To Millermatic Passport Plus



- 1 Drive Assembly
- 2 Spool Gun
- 3 Gun Securing Knob
- 4 Gun End

Loosen thumbscrew. Insert end through opening until it bottoms against drive assembly. Tighten gun securing knob.

Spool gun must be inserted completely to prevent leakage of shielding gas.

- 5 Gun Trigger Plug

Insert plug into receptacle, and tighten threaded collar.

- 6 Internal/External Transfer Switch

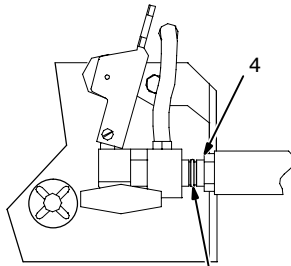
Place switch in the External Gas Supply position.

- 7 Polarity Changeover Terminal Block

To make proper polarity connection, see welding power source Owner's Manual.

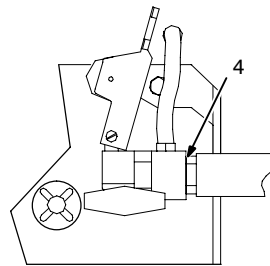
Close door.

Be sure that gun end is tight against drive assembly.



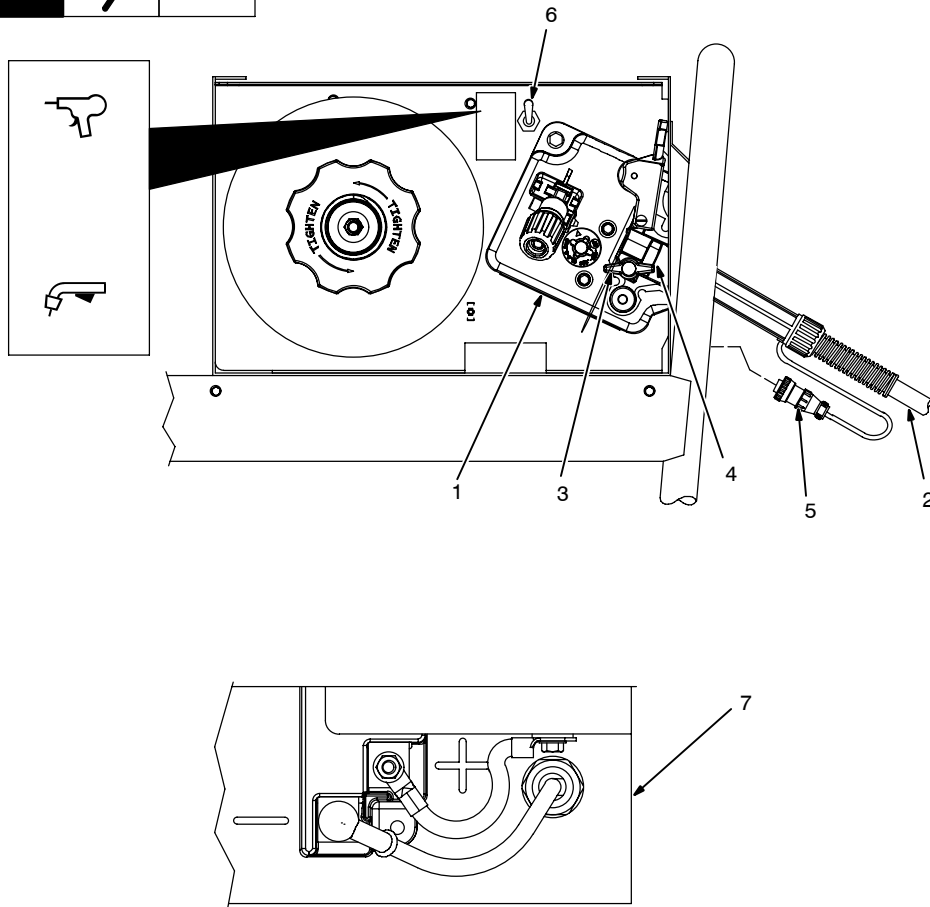
**Incorrect
Gun Not Seated**

Exposed O-rings will cause shielding gas leakage.



**Correct
Gun Fully Seated**

3-6. Connecting Spool Gun To Renegade 180



- 1 Drive Assembly
- 2 Spool Gun
- 3 Gun Securing Knob
- 4 Gun End

Loosen gun securing knob. Insert end through opening until it bottoms against drive assembly. Tighten gun securing knob.

Be sure that gun end is tight against drive assembly. Exposed O-rings will cause shielding gas leakage.

Spool gun must be inserted completely to prevent leakage of shielding gas.

5 Gun Trigger Plug
Insert plug into receptacle, and tighten threaded collar.

6 Spool Gun/MIG Gun Switch
Place switch in Spool Gun position.

7 Polarity Changeover Terminal Block

To make proper polarity connection, see welding power source Owner's Manual. Typically, DCEP is used for solid and aluminum wire.

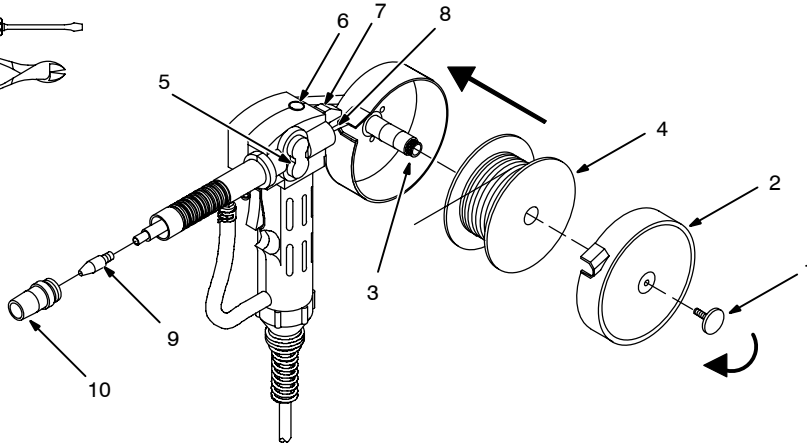
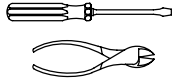
Close door.

804 755-B

3-7. Installing Wire Spool And Threading Welding Wire



Tools Needed:



1 Thumb Screw

2 Spool Cover

Remove thumb screw and spool cover.

3 Hub Tension Nut

4 Wire Spool

Install spool so wire feeds from top. Turn hub tension nut just so a slight drag is felt on the wire spool.

5 Push Roll/Lower Drive Roll

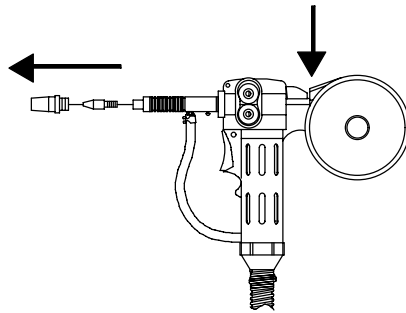
6 Drive Roll Pressure Adjustment Opening

7 Drive Roll Release Lever (Red)

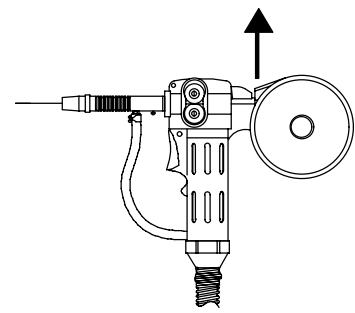
8 Wire Inlet Guide

9 Contact Tip

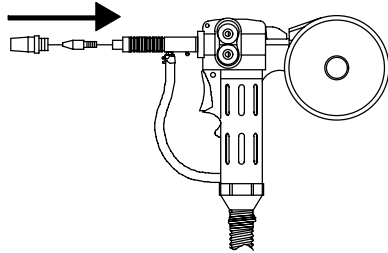
10 Nozzle



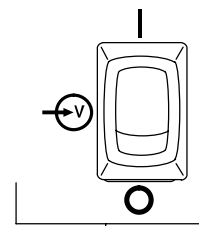
Remove nozzle and contact tip. Push and hold red lever. Thread wire through inlet guide, past push roll/drive roll, and out end of gun 2 inches (50 mm).




Release red lever.

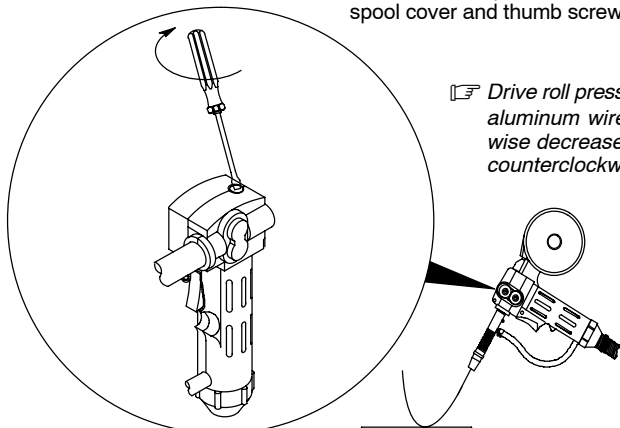


Install contact tip and nozzle. Reinstall spool cover and thumb screw.



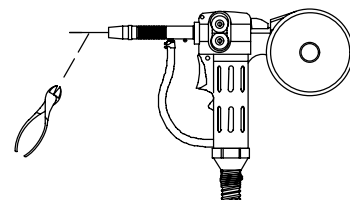
Turn On welding power source power.

 Drive roll pressure is preset for .030/.035 aluminum wire. Rotating screw clockwise decreases drive roll pressure and counterclockwise increases pressure.



Wood

Press gun trigger to feed wire to check drive roll pressure. Turn screw enough to prevent slipping.

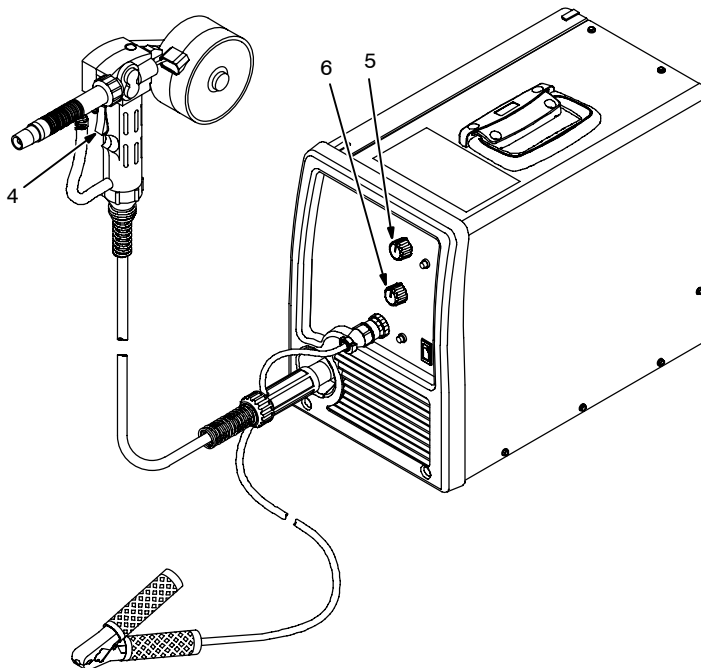
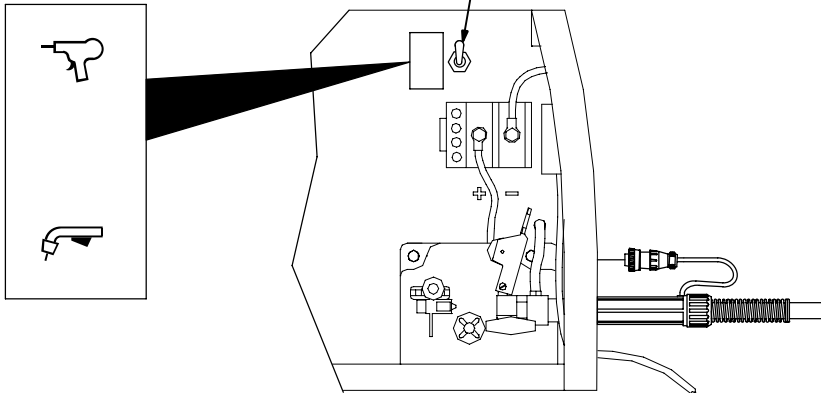
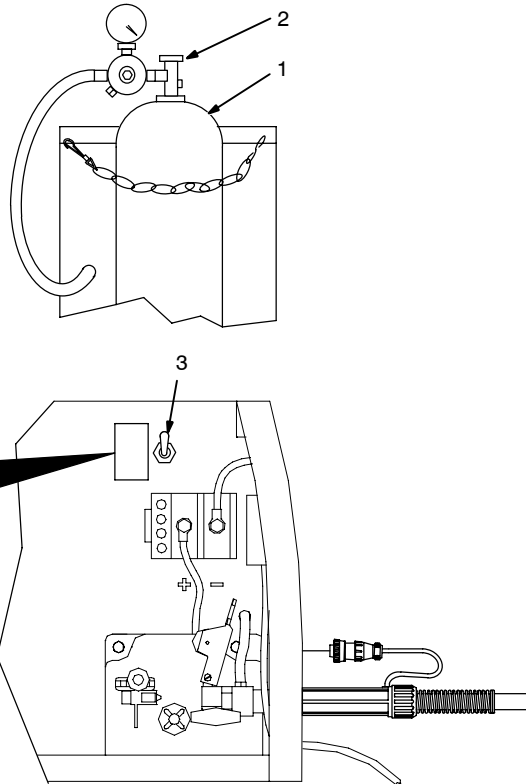
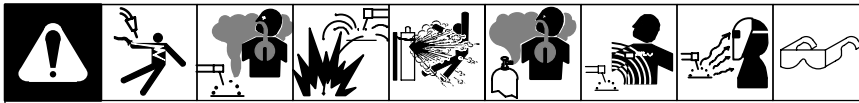


Cut off wire.

SECTION 4 – OPERATION

4-1. Controls For Millermatic 140/180 Models

A. Spool Gun Operation On Millermatic 140/180 Models



☞ *Spool Gun/MIG Gun switch on Millermatic 140/180 must be in Spool Gun position for spool gun to operate.*

1 Shielding Gas Cylinder

For shielding gas connections, see welding power source Owner's Manual.

2 Valve

Open valve on cylinder just before welding.

Close valve on cylinder when finished welding.

3 Spool Gun/MIG Gun Switch

Switch must be set in Spool Gun position for spool gun to operate.

4 Trigger

Press trigger to energize welding power source contactor, start shielding gas flow, and begin wire feed.

5 Wire Feed Speed Control

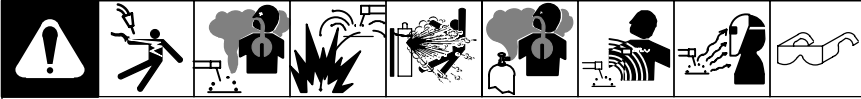
Wire feed speed is controlled by welding power source Wire Speed control (see welding power source Owner's Manual or door chart for appropriate setting).

6 Voltage Control

Arc voltage is controlled by welding power source Voltage control (see welding power source Owner's Manual or door chart for appropriate setting).

☞ *To purge shielding gas line, set gun selection switch (item 3) to the MIG Gun position. Press spool gun trigger to energize gas valve. Shielding gas will flow, but spool gun will not feed wire. Hold trigger in for several seconds to purge gas line. Return gun selection switch to the Spool Gun position before welding.*

B. Weld Parameter Chart For Millermatic 140 Model w/Auto-Set™



Auto-Set™ – SIMPLE SETUP FOR WELDING MILD STEEL

Example: .030" diameter wire, welding 18 ga. material.

1. Activate Auto-Set™ by selecting the diameter of the welding wire with the WIRE SPEED knob. Auto-Set light comes on.
2. Select thickness of the mild steel being welded with the VOLTAGE knob. Setup complete.

USE 75% ARGON / 25% CO2 SHIELDING GAS

Material	Suggested Wire Types, Polarity	Suggested Shielding Gases (Flow Rate of 20-30 cfh)	Wire Sizes (Diameters)
Steel	Solid Wire ER70S-6 (DCEP)	C ₂₅ Gas Mixture 75% Ar / 25% CO ₂	.024" (0.6 mm)
			.030" (0.8 mm)
	Solid Wire ER70S-6 (DCEP)	100% CO ₂	.024" (0.6 mm)
			.030" (0.8 mm)
Flux Core E71T-11 (DCEN)	No Shielding Gas required. Good for windy or outdoor applications.	.030" (0.8 mm)	
		.035" (0.9 mm)	
Stainless Steel	Stainless Steel (DCEP)	Tri-Mix 90% He / 7.5% Ar / 2.5% Co ₂	.024" (0.6 mm)
			.030" (0.8 mm)

Selecting Wire, Gas and Control Settings for Aluminum with optional Spool Gun. Order part no. 300371

Aluminum w/ Opt. Spool Gun	Aluminum 4043ER	100% Argon	.030" (0.8 mm)
			.035" (0.9 mm)

NOTE: Settings are approximate. Adjust as required.

"—" Means not recommended.

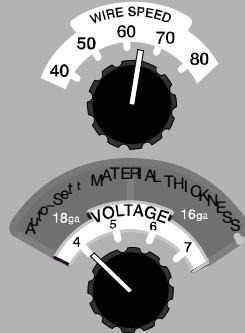
"*" Thicker materials can be welded using proper technique, joint preparation and multiple passes.

IMPORTANT: Match drive roll groove to diameter of wire being used. Set Tension knob setting to 3 at start. Adjust tension per instructions in the manual.

☞ Color parameter charts can be downloaded from www.MillerWelds.com or by ordering from a Miller distributor.

Manual Setup

Refer to chart below to select Voltage and Wire Speed based on thickness of metal being welded.

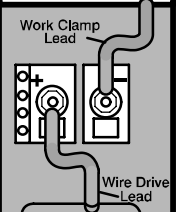


1. Number on right of slash is Wire Speed Knob Setting.
(Example: 4 / 65)

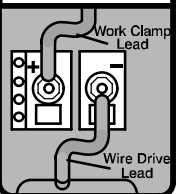
2. Number on left of slash is Voltage Knob Setting.
(Example: 4 / 65)

CHANGING POLARITY

DCEP
Electrode Positive
For Solid Wire



DCEN
Electrode Negative
For Flux Core Wire



	24 ga. (0.6 mm)	22 ga. (0.8 mm)	20 ga. (0.9 mm)	18 ga. (1.2 mm)	16 ga. (1.5 mm)	14 ga. (1.9 mm)	1/8" (3.2 mm)	3/16" (4.8 mm)
	2/40	3/50	3/50	4/65	4.5/70	5.5/80	10/90	*
	2/32	3/40	3/40	4/45	5/55	5.5/60	10/65	*
	---	--	4/45	5/60	5.5/65	7/80	10/80	*
	---	--	4/35	5/40	5.5/45	6.5/50	10/60	*
	---	--	---	2/35	3/40	5.5/60	10/65	*
	---	--	---	2.5/32	3/35	4.5/45	10/50	10/50
	---	--	4.5/50	4.5/50	6/75	7/95	10/95	--
	---	--	4/40	5/50	6/60	7/70	10/75	*

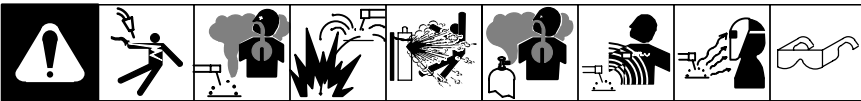
---	--	--	3/90	3/90	10/100	---	---
---	--	--	3/70	3/75	10/90	---	---

M-10 (#195605) Torch Consumables:				Quick Change Dual Grooved Drive Rolls:		
Nozzles:	Tip Adapter:	Contact Tips:	Liners:	Wire Diameters	V-Smooth	V-Knurled *
#169715	#169716	.024" (0.6mm) #087299	.024" (0.6mm) #194010	.024" (0.6mm)	#220179	
		.030" (0.8mm) #000067	.030-.035" (0.8-0.9mm) #194011	.030" (0.8mm)	#220179	#202926
		.035" (0.9mm) #000068	.035-.045" (0.9-1.2mm) #194012	.035" (0.9mm)	#220179	#202926

* For Flux Core or Stainless Wire

227 931- H

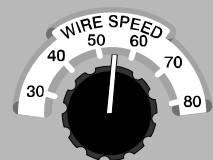
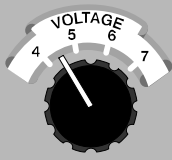
C. Weld Parameter Chart For Millermatic 140 Model w/Factory Set Non-Wire Speed Tracking Mode



Refer to chart below to select Voltage and Wire Speed based on thickness of material being welded.

1. Number on left of slash is Voltage Knob Setting. (Example: 4.5/55)

2. Number on right of slash is Wire Speed Knob Setting. (Example: 4.5 / 55)



Material	Suggested Wire Types, Polarity	Suggested Shielding Gases (Flow Rate of 20-30 cfh)	Wire Sizes (Diameters)
Steel	Solid Wire ER70S-6 (DCEP)	C ₂₅ Gas Mixture 75% Ar / 25% CO ₂	.024" (0.6 mm) .030" (0.8 mm)
	Solid Wire ER70S-6 (DCEP)	100% CO ₂	.024" (0.6 mm) .030" (0.8 mm)
	Flux Core E71T-11 (DCEN)	No Shielding Gas required. Good for outdoor applications.	.030" (0.8 mm) .035" (0.9 mm)
Stainless Steel	Stainless Steel (DCEP)	Tri-Mix 90% He / 7.5% Ar / 2.5% CO ₂	.024" (0.6 mm) .030" (0.8 mm)

Selecting Wire, Gas and Control Settings for Aluminum

Aluminum w/ Opt. Spool Gun	Aluminum 4043ER	100% Argon	.030" (0.8 mm) .035" (0.9 mm)
-------------------------------	--------------------	------------	----------------------------------

M-10 (#195605) Torch Consumables:

Nozzles:	Tip Adapter:	Contact Tips:	Liners:
#169715	#169716	.024" (0.6 mm) #087299	.024" (0.6 mm) #194010
		.030" (0.8 mm) #000067	.030 - .035" (0.8 - 0.9 mm) #194011
		.035" (0.9 mm) #000068	.035 - .045" (0.9 - 1.2 mm) #194012

Color parameter charts can be downloaded from www.MillerWelds.com or by ordering from a Miller distributor.

Selecting Wire, Gas and Control Settings

NOTE: Settings are approximate. Adjust as required.

“---” Means not recommended.

“*” Thicker materials can be welded using proper technique, joint preparation and multiple passes.

IMPORTANT: Match drive roll groove to diameter of wire being used.
Set Tension knob setting to 3 at start. Adjust tension per instructions in the manual.

24 ga. (0.6 mm)	22 ga. (0.8 mm)	20 ga. (0.9 mm)	18 ga. (1.2 mm)	16 ga. (1.5 mm)	14 ga. (1.9 mm)	1/8" (3.2 mm)	3/16" (4.8 mm)
2.5/35	3.5/45	3.5/50	4/55	4.5/70	5.5/85	10/95	*
2.5/30	3/40	3.5/40	4/55	4.5/55	6.5/70	10/70	*
---	---	4.5/35	5/45	6/55	8/70	10/80	*
---	---	4.5/32	5/35	6/45	8/60	10/65	*
---	---	---	2/30	3.5/45	5.5/55	10/60	*
---	---	---	2.5/25	4/35	6/40	8/50	10/55
---	---	5/50	5.5/60	6.5/80	7/90	10/95	---
---	---	5/40	5.5/50	6.5/70	7/75	10/80	*

with optional Spool Gun. Order part no. 300371

---	---	---	2/60	3/70	10/75	---	---
---	---	---	3/60	3.5/65	10/70	---	---

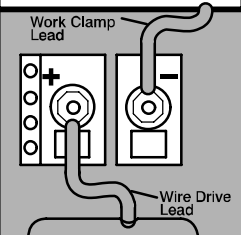
Quick Change Dual Grooved Drive Rolls:

Wire Diameters	V-Smooth	V-Knurled *
.024" (0.6 mm)	#220179	
.030" (0.8 mm)	#220179	#202926
.035" (0.9 mm)	#220179	#202926

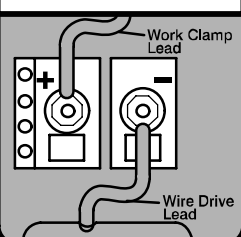
* For Flux Core or Stainless Wire

CHANGING POLARITY

DCEP
Electrode Positive
For Solid Wire

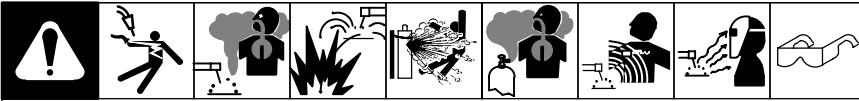


DCEN
Electrode Negative
For Flux Core Wire



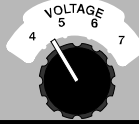
224 940-E

D. Weld Parameter Chart For Millermatic 180 Model w/Factory Set Non-Wire Speed Tracking Mode



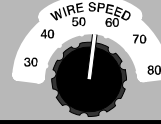
Refer to chart below to select Voltage and Wire Speed based on thickness of material being welded.

1. Number on left of slash is Voltage Knob Setting.



(Example: 4.5 / 55)

2. Number on right of slash is Wire Speed Knob Setting.



(Example: 4.5 / 55)

Material	Suggested Wire Types, Polarity	Suggested Shielding Gases (Flow Rate of 20-30 cfh)	Wire Sizes (Diameters)
Steel	Solid Wire ER70S-6 (DCEP)	C ₂₅ Gas Mixture 75% Ar / 25% CO ₂	.024" (0.6 mm)
			.030" (0.8 mm)
			.035" (0.9 mm)
	Solid Wire ER70S-6 (DCEP)	100% CO ₂	.024" (0.6 mm)
			.030" (0.8 mm)
			.035" (0.9 mm)
Flux Core E71T-11 (DCEN)	No Shielding Gas required. Good for outdoor applications.	.030" (0.8 mm)	
		.035" (0.9 mm)	
		.045" (1.2 mm)	
Stainless Steel	Stainless Steel (DCEP)	Tri-Mix 90% He / 7.5% Ar / 2.5% CO ₂	.024" (0.6 mm)
			.030" (0.8 mm)
			.035" (0.9 mm)

Selecting Wire, Gas and Control Settings for Aluminum

Aluminum Spool Gun	Aluminum 4043ER	100% Argon	.030" (0.8 mm)
			.035" (0.9 mm)

M-10 (#195605) Torch Consumables:

Nozzles:	Tip Adapter:	Contact Tips:	Liners:
#169715	#169716	.024" (0.6 mm) #087299	.024" (0.6 mm) #194010
		.030" (0.8 mm) #000067	.030 - .035" (0.8 - 0.9 mm) #194011
		.035" (0.9 mm) #000068	.035 - .045" (0.9 - 1.2 mm) #194012
		.045" (1.2 mm) #000069	

Color parameter charts can be downloaded from www.MillerWelds.com or by ordering from a Miller distributor.

Selecting Wire, Gas and Control Settings

NOTE: Settings are approximate. Adjust as required.
 "---" Means not recommended.

Thicker materials can be welded using proper technique,
 joint preparation and multiple passes.

IMPORTANT: Match drive roll groove to diameter of wire being used. Set Tension
 knob setting to 3 at start. Adjust tension per instructions in the manual.

24 ga. (0.6 mm)	22 ga. (0.8 mm)	20 ga. (0.9 mm)	18 ga. (1.2 mm)	16 ga. (1.5 mm)	14 ga. (1.9 mm)	1/8" (3.2 mm)	3/16" (4.8 mm)	1/4" (6.4 mm)	5/16" (7.9 mm)
1.5/20	2/25	2/25	2.5/30	3/45	3.5/60	4/70	6/100	---	---
1.5/15	2/20	2/20	2.5/30	3/35	3.5/40	4.5/55	6/75	6/80	10/95
---	2/12	2/15	2.5/20	3/25	3.5/30	4.5/45	6/55	6.5/60	10/70
---	---	3.5/25	3.5/25	4/40	4.5/50	5/60	7/85	---	---
---	---	3/15	3.5/20	4/25	4.5/35	5.5/45	6/55	6.5/65	10/75
---	---	---	3/12	4/20	4.5/30	5.5/35	6/40	6.5/50	10/55
---	---	---	1/15	2/20	3.5/35	4/45	6/65	6.5/75	---
---	---	---	1/10	2/15	3/25	4/35	6/55	7/60	10/65
---	---	---	---	2.5/10	3/15	4/25	6/35	7/40	10/45
---	---	3.5/30	3.5/45	4/50	4.5/70	5/80	6/95	---	---
---	---	3.5/25	3.5/28	4/45	5/60	5/70	6/85	7.5/95	---
---	---	---	2.5/20	3.5/25	4/40	4.5/50	6/65	7.5/80	---

with optional Spool Gun, Order part no. 300371

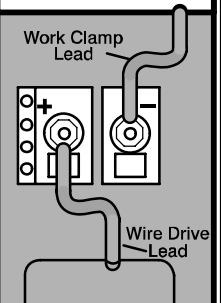
---	---	---	2/70	2/70	4/70	5/70	8/95	10/100	---
---	---	---	---	2.5/65	4/60	5/65	8/90	10/90	---

Quick Change Dual Grooved Drive Rolls:

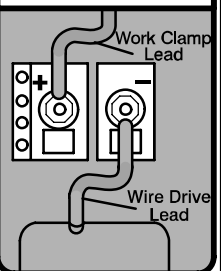
Wire Diameters	V-Smooth	V-Knurlled *
.024" (0.6 mm)	#220179	
.030" (0.8 mm)	#220179	#202926
.035" (0.9 mm)	#220179	#202926
.045" (1.2 mm)		#202926* For Flux Core or Stainless Wire

CHANGING POLARITY

DCEP
 Electrode Positive
 For Solid Wire



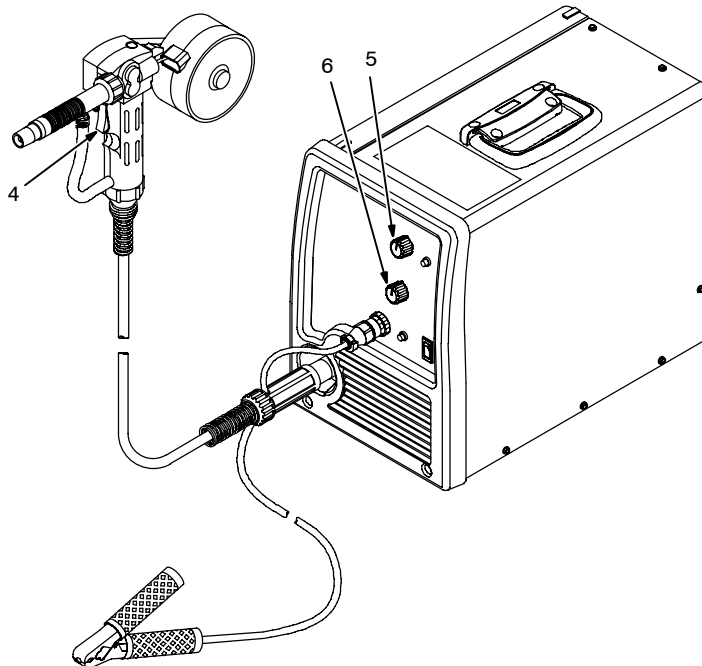
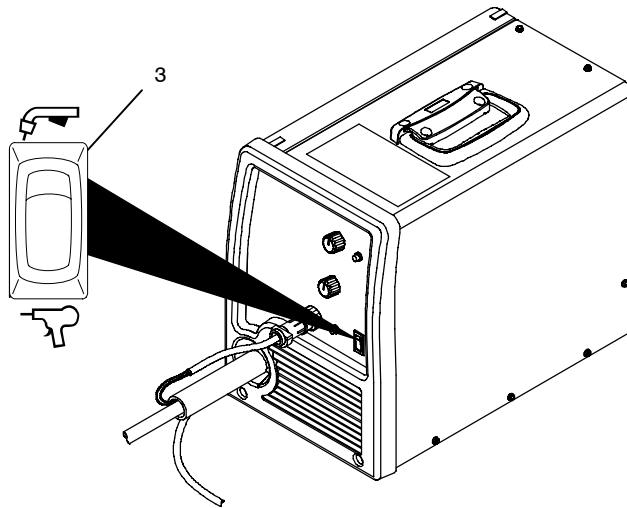
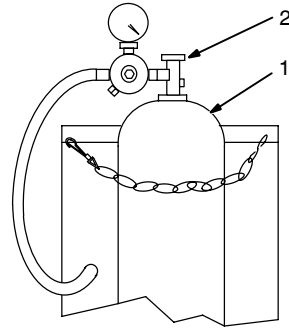
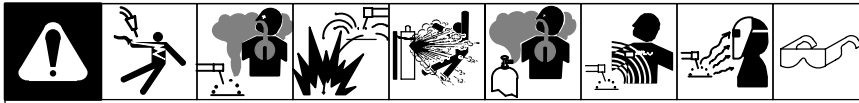
DCEN
 Electrode Negative
 For Flux Core Wire



225 229-E

4-2. Controls For Millermatic 211 Auto-Set™ Models

A. Spool Gun Operation On Millermatic 211 Auto-Set™ Models



☞ *Spool Gun/MIG Gun switch on Millermatic 211 Auto-Set™ must be in Spool Gun position for spool gun to operate.*

1 Shielding Gas Cylinder

For shielding gas connections, see welding power source Owner's Manual.

2 Valve

Open valve on cylinder just before welding.

Close valve on cylinder when finished welding.

3 Spool Gun/MIG Gun Switch

Switch must be set in Spool Gun position for spool gun to operate.

4 Trigger

Press trigger to energize welding power source contactor, start shielding gas flow, and begin wire feed.

5 Wire Feed Speed Control

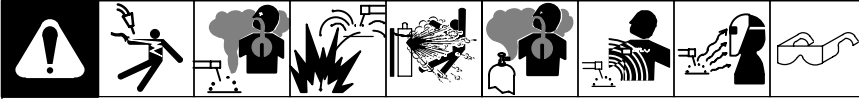
Wire feed speed is controlled by welding power source Wire Speed control (see welding power source Owner's Manual or door chart for appropriate setting).

6 Voltage Control

Arc voltage is controlled by welding power source Voltage control (see welding power source Owner's Manual or door chart for appropriate setting).

☞ *To purge shielding gas line, set gun selection switch (item 3) to the MIG Gun position. Press spool gun trigger to energize gas valve. Shielding gas will flow, but spool gun will not feed wire. Hold trigger in for several seconds to purge gas line. Return gun selection switch to the Spool Gun position before welding.*

B. Weld Parameter Chart For Millermatic 211 Auto-Set™ Model



Auto-Set™ - SIMPLE SETUP FOR WELDING MILD STEEL
 Example: .035" diameter wire, welding 1/8" material.

1. Activate Auto-Set™ by selecting the diameter of the welding wire with the WIRE SPEED knob. Auto-Set™ light comes on.
2. Select thickness of the mild steel being welded with the VOLTAGE knob. Setup complete.

USE 75% ARGON / 25% CO2 SHIELDING GAS

Material	Suggested Wire Types, Polarity	Suggested Shielding Gases (Flow Rate of 20-30 cfh)	Wire Sizes (Diameters)
Steel	Solid Wire ER70S-6 (DCEP)	C ₂₅ Gas Mixture 75% Ar / 25% CO ₂	.024" (0.6 mm)
			.030" (0.8 mm)
			.035" (0.9 mm)
	Solid Wire ER70S-6 (DCEP)	100% CO ₂	.024" (0.6 mm)
			.030" (0.8 mm)
			.035" (0.9 mm)
Flux Core E71T-11 (DCEN)	No Shielding Gas required. Good for windy or outdoor applications.	.030" (0.8 mm)	
		.035" (0.9 mm)	
		.045" (1.2 mm)	
Stainless Steel	Stainless Steel (DCEP)	Tri-Mix 90% He / 7.5% Ar / 2.5% CO ₂	.024" (0.6 mm)
			.030" (0.8 mm)
			.035" (0.9 mm)

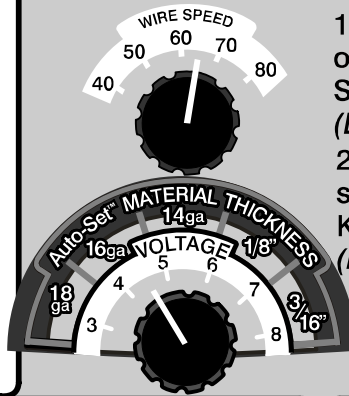
Selecting Wire, Gas and Control Settings for Aluminum.

Aluminum Spool Gun	Aluminum 4043ER	100% Argon	.030" (0.8 mm)
			.035" (0.9 mm)

☞ Color parameter charts can be downloaded from www.MillerWelds.com or by ordering from a Miller distributor.

Manual Setup

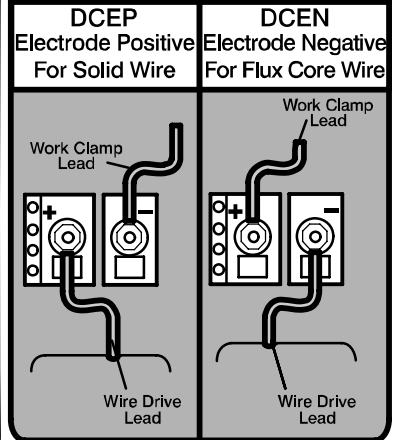
Refer to chart below to select Voltage and Wire Speed based on thickness of metal being welded.



1. Number on right of slash is Wire Speed Knob Setting. (Example: 4.5 / **65**)
2. Number on left of slash is Voltage Knob Setting. (Example: **4.5** / 65)

NOTE: Settings are approximate. Adjust as required. "—" Means not recommended.

CHANGING POLARITY



120 Volt - 24 gauge to 3/16"

24 ga. (0.6mm)	22 ga. (0.8mm)	20 ga. (0.9mm)	18 ga. (1.2mm)	16 ga. (1.5mm)	14 ga. (1.9mm)	1/8" (3.2mm)	3/16" (4.8mm)
2/22	2.5/30	2.5/30	3/35	3.5/45	4.5/60	5.5/70	10/80
2/20	2.5/25	2.5/25	3.5/30	4/40	4.5/50	6/60	10/60
--	2.5/20	2.5/20	3.5/25	4.5/35	5/40	6.5/45	10/45
--	3.5/30	3.5/30	4/35	4.5/45	5/50	7/60	--
--	3.5/25	3.5/25	4/30	4.5/35	5/40	7/45	10/50
--	3.5/20	3.5/20	4/20	4.5/25	5/30	7/35	10/40
--	--	--	2.5/30	3/30	4/40	5/45	10/50
--	--	--	2.5/20	3/20	4/30	5/35	10/40
--	--	--	--	--	--	--	--
--	4/35	4/35	4/40	5.5/60	6.5/75	10/80	--
--	4/25	4/25	4/30	5.5/40	6.5/50	10/55	--
--	4/20	4/20	4/25	5.5/35	6.5/40	10/45	--

230 Volt - 24 gauge to 3/8"

24 ga. (0.6mm)	22/20 (.08/.09)	18 ga. (1.2mm)	16 ga. (1.5mm)	14 ga. (1.9mm)	1/8" (3.2mm)	3/16" (4.8mm)	1/4" (6.4mm)	3/8" (9.5mm)
2/22	2.5/30	3/45	3.5/50	4/65	4.5/80	4.5/100	--	--
2.7/20	3/30	3.5/40	3.5/45	4/50	4.5/65	5/75	6/90	10/100
--	2.5/20	3.5/30	4/35	4/40	5/55	5.5/60	6/65	10/75
--	3/30	3.5/35	4/45	4.5/55	5.5/65	6.5/85	--	--
--	3/25	4/30	4.5/35	5/45	5.5/55	6/60	7/75	--
--	3.5/20	4/25	4/30	5/35	5.5/40	6/50	7/55	--
--	--	1/20	2.5/25	3/35	4/50	5.5/70	7/90	--
--	--	1/18	2.5/20	3/30	4/40	5.5/60	7/80	10/85
--	--	--	3/10	3.5/20	4/25	5.5/35	6.5/40	10/50
--	4/40	4/45	5/55	5.5/80	6/90	--	--	--
--	3.5/30	4/35	4/40	4.5/50	5/60	6/75	6.5/85	7.5/100
--	--	4/25	4.5/35	4.5/40	5/50	6/60	6.5/70	10/85

Use optional Spoolmate 100 series Spool Gun (Part no. 300371)

--	--	--	2/65	2.5/70	6/85	10/90	--
--	--	--	--	3.5/60	4/65	10/70	--

--	--	2/60	2.5/65	3/70	5/70	6/75	10/90	--
--	--	--	3.5/60	4/65	5.5/65	6/65	7/75	10/85

IMPORTANT: Match drive roll groove to diameter of wire being used. Set Tension knob setting to 3 at start. Adjust tension per instructions in the manual. Thicker materials can be welded using proper technique, joint preparation and multiple passes.

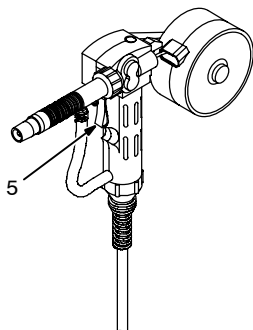
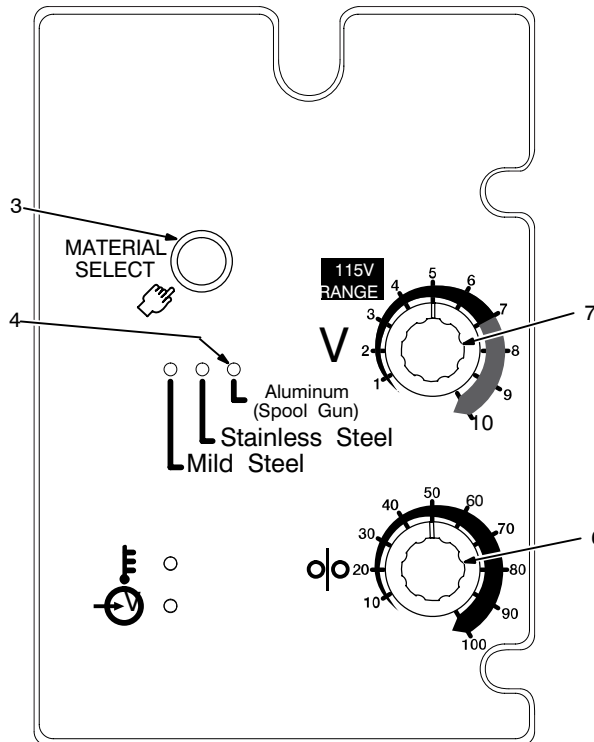
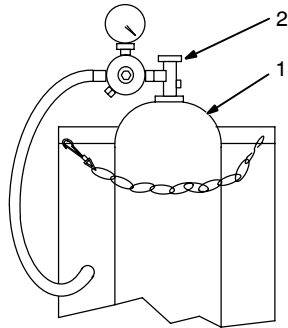
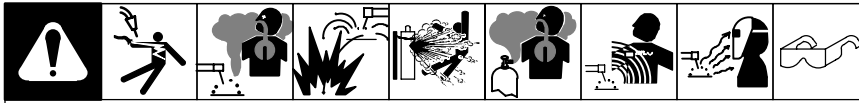
M-10 (#195605) Torch Consumables:			
Nozzles:	Tip Adapter:	Contact Tips:	Liners:
#169715	#169716	.024" (0.6mm) #087299	.024" (0.6mm) #194010
		.030" (0.8mm) #000067	.030-.035" (0.8-0.9mm) #194011
		.035" (0.9mm) #000068	.035-.045" (0.9-1.2mm) #194012
		.045" (1.2mm) #000069	.035-.045" (0.9-1.2mm) #194012

Quick Change Dual Grooved Drive Rolls:		
Wire Diameters	V-Smooth	V-Knurled*
.024" (0.6 mm)	#220179	#202926
.030" (0.8 mm)	#220179	#202926
.035" (0.9 mm)	#220179	#202926
.045" (1.2 mm)	#220179	#202926

* For Flux Core or Stainless Wire

4-3. Controls For Millermatic Passport Plus Model

A. Spool Gun Operation On Millermatic Passport Plus Model



1 Shielding Gas Cylinder

For shielding gas connections, see welding power source Owner's Manual.

2 Valve

Open valve on cylinder just before welding.

Close valve on cylinder when finished welding.

3 Process Switch

4 Aluminum (Spool Gun) Indicator Light

Press process switch until Aluminum (Spool Gun) indicator light turns on.

5 Trigger

Press trigger to energize welding power source contactor, start shielding gas flow, and begin wire feed.

6 Wire Feed Speed Control

Wire feed speed is controlled by welding power source Wire Speed control (see welding power source Owner's Manual or door chart for appropriate setting).

7 Voltage Control

Arc voltage is controlled by welding power source Voltage control (see welding power source Owner's Manual or door chart for appropriate setting).

B. Weld Parameter Chart For Millermatic Passport Plus Model



Refer to chart below to select Voltage and Wire Speed based on thickness of material being welded.

1. Number on left of slash is Voltage Knob Setting.
(Example: 4.5 / 55)

2. Number on right of slash is Wire Speed Knob Setting.
(Example: 4.5 / 55)

Material	Suggested Wire Types, Polarity	Suggested Shielding Gases (Flow Rate of 20-30 cfh)	Wire Sizes (Diameters)	24 ga.	20/22 ga.
				115/230V	115/230V
Steel	Solid Wire ER70S-6 (DCEP)	CO ₂ 100%	.024" (0.6 mm) .030" (0.8 mm) .035" (0.9 mm)	Min/20 Min/10 .5/10	1.5/25 1.5/20 1.5/15
		C25 75% Ar / 25% CO ₂	.024" (0.6 mm) .030" (0.8 mm) .035" (0.9 mm)	Min/20 Min/10 Min/5	2/30 2/20 2/15
	Flux Core E71T-11 (DCEN)	No gas required	.030" (0.8 mm) .035" (0.9 mm)	--- ---	--- ---
Stainless Steel	Stainless Steel (DCEP)	Tri-Mix 90% He / 7.5% Ar / 2.5% CO ₂	.024" (0.6 mm) .030" (0.8 mm) .035" (0.9 mm)	--- --- ---	Min/40 Min/25 Min/15

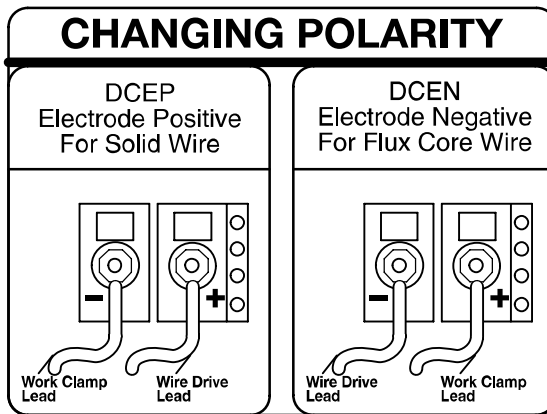
Selecting Wire, Gas and Control Settings for Aluminum with

Aluminum Spool Gun	Aluminum 4043ER	100% Argon	.030" (0.8 mm) .035" (0.9 mm)	--- ---	--- ---
--------------------	-----------------	------------	----------------------------------	------------	------------

Reference Key

* 230 Volt Only

** For Flux Core or Stainless Wire



Selecting Wire, Gas and Control Settings

NOTE: Settings are approximate. Adjust as required.

“---” Means not recommended.

Thicker materials can be welded using proper technique, joint preparation and multiple passes.

IMPORTANT: Match drive roll groove to diameter of wire being used.

Set Tension knob setting to 3 at start. Adjust tension per instructions in the manual.

18 ga. 115/230V	16 ga. 115/230V	14 ga. 115/230V	1/8" 115/230V	3/16" 115/230V	1/4" 115V	1/4" 230V	5/16" 230V	3/8" 230V
3/35	4/50	4.5/55	5.5/65	7/100	---	---	---	---
3/30	4/40	4.5/45	5.5/50	6.5/50	7/50	8/70	9/65	10/80
3/25	4/30	5/35	6/40	6.5/45	7/45	8.5/55	9/55	10/60
3/40	3.5/50	4/65	4.5/75	5.5/100	---	---	---	---
3/35	3.5/40	4/50	5/60	5.5/70	7/60	7.5/80	8/90	9.5/100
3/30	3.5/35	4/40	5/50	5.5/60	7/50	7.5/65	8/75	10/90
---	2.5/20	4/30	5/35	5.5/45	---	7.5/60	---	---
---	1.5/10	4/25	5/30	5.5/35	---	7.5/50	---	---
2.5/50	3.5/65	4.5/100	---	---	---	---	---	---
2.5/40	3.5/55	4.5/80	5/80	5.5/85	5.5/100	5.5/100	---	---
2.5/30	3.5/50	4.5/60	5/70	6/70	6/70	7/80	---	---

optional Spool Gun. Order part no. 300371

2/75	2.5/80	6/75	7/100	7.5/100*	---	---	---	---
2/65	2.5/65	6/70	6.5/75	8.5/90*	---	9/100	---	---

M-10 (#195605) Torch Consumables:

Nozzles:	Tip Adapter:	Contact Tips:	Liners:
#169715	#169716	.024" (0.6 mm) #087299	.024" (0.6 mm) #194010
		.030" (0.8 mm) #000067	.030 - .035" (0.8 - 0.9 mm) #194011
		.035" (0.9 mm) #000068	

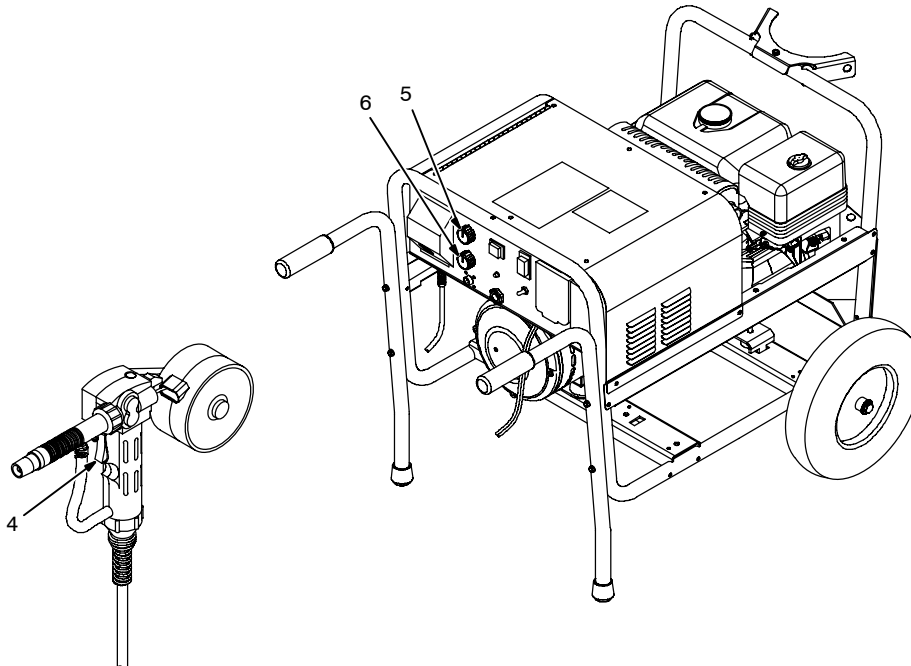
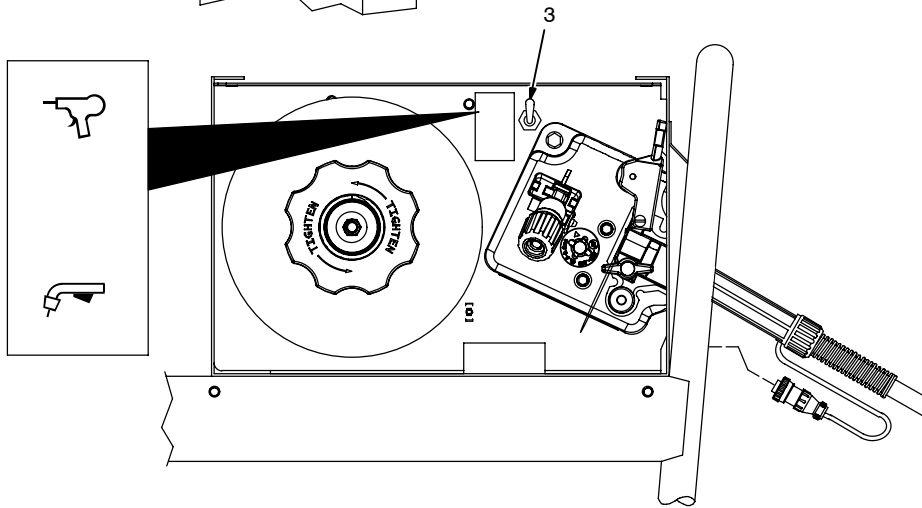
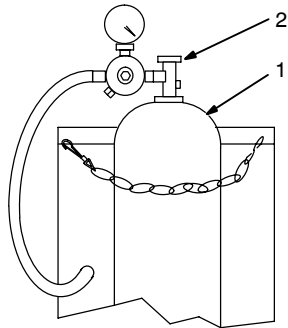
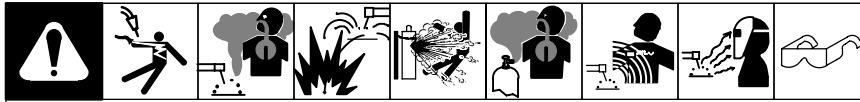
Quick Change Dual Grooved Drive Rolls:

Wire Diameters	V-Smooth	V-Knurled **
.024" (0.6 mm)	#220179	
.030" (0.8 mm)	#220179	#202926
.035" (0.9 mm)	#220179	#202926

P/N - 235557-A

4-4. Controls For Renegade 180 Model

A. Spool Gun Operation On Renegade 180 Model



☞ *Spool Gun/MIG Gun switch on Renegade 180 must be in Spool Gun position for spool gun to operate.*

1 Shielding Gas Cylinder

For shielding gas connections, see welding power source Owner's Manual.

2 Valve

Open valve on cylinder just before welding.

Close valve on cylinder when finished welding.

3 Spool Gun/MIG Gun Switch

Place switch in Spool Gun position.

4 Trigger

Press trigger to energize welding power source contactor, start shielding gas flow, and begin wire feed.

5 Wire Feed Speed Control

Wire feed speed is controlled by welding power source Wire Speed control (see welding power source Owner's Manual for appropriate setting).

6 Voltage Control

Arc voltage is controlled by welding power source Voltage control (see welding power source Owner's Manual for appropriate setting).

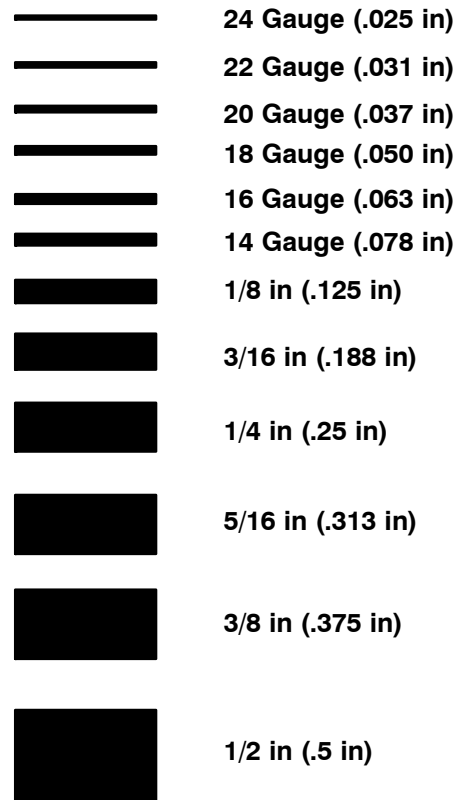
☞ *To purge shielding gas line, set gun selection switch (item 3) to the MIG Gun position. Press spool gun trigger to energize gas valve. Shielding gas will flow, but spool gun will not feed wire. Hold trigger in for several seconds to purge gas line. Return gun selection switch to the Spool Gun position before welding.*

B. Weld Parameters For Renegade 180 Model

Select Wire Type, Polarity, and Shielding Gas	Wire Size	Material Thickness							
		20 ga	18 ga	16 ga	14 ga	1/8 in.	3/16 in.	1/4 in.	5/16 in.
	⚡	Shop Settings (Wall or Premise Power, 230 V 1 Ph)							
Aluminum 4043 (DCEP) 100% Argon Shielding Gas	0.030		2.0/70	2.0/70	4.0/70	5.0/70	8.0/95	10/100	
	0.035			2.5/65	4.0/60	5.0/65	8.0/90	10/90	
	🔌	Field Setting (Generator Power)							
Aluminum 4043 (DCEP) 100% Argon Shielding Gas	0.030		4.0/70	4.0/70	6.0/70	10/75			
	0.035			4.5/60	6.0/60	10/65			

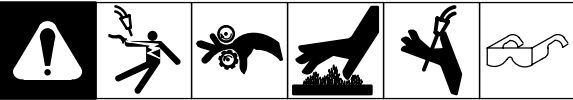
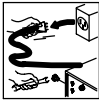
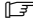






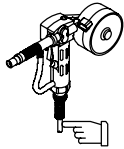


Notes

MATERIAL THICKNESS REFERENCE CHART

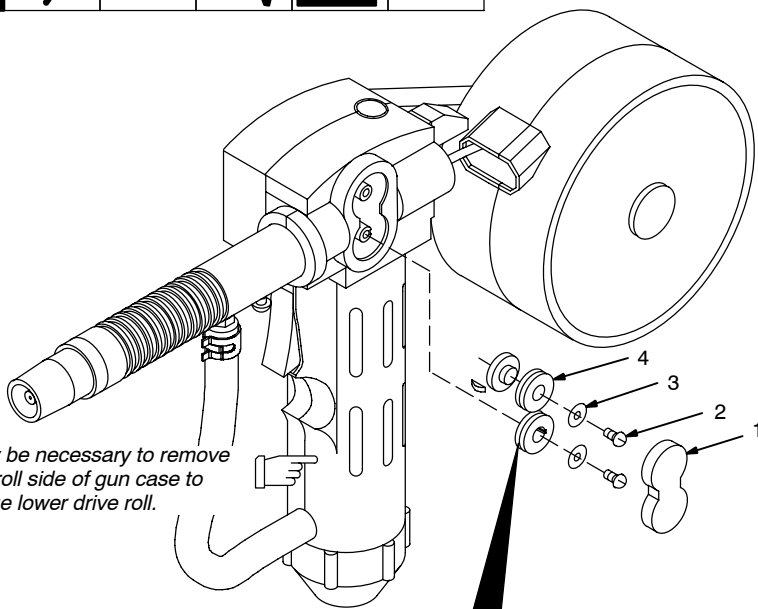
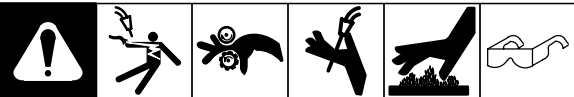


SECTION 5 – MAINTENANCE & TROUBLESHOOTING

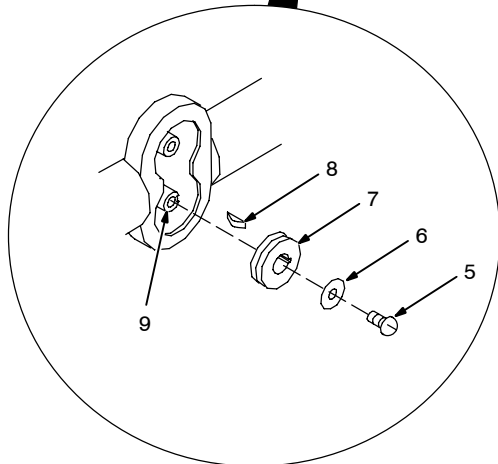
5-1. Routine Maintenance

  Disconnect power before maintaining.  <i>Maintain more often during severe conditions.</i>					
 ✓ = Check ◇ = Change ● = Clean ☆ = Replace * To be done by Factory Authorized Service Agent					
					Reference
Every 3 Months	 ☆ Unreadable Labels	 ● Weld Terminals	 ☆ Damaged Gas Hose	 ✓ ☆ Weld Cables	
	 ✓ ☆ Cords	 ✓ ☆ Gun Cables			
Every 6 Months	 ● Drive Rolls	 OR ● Inside Unit			

5-2. Changing Drive Rolls



It may be necessary to remove drive roll side of gun case to change lower drive roll.



Tools Needed:



⚠ Turn Off power at welding power source first.

1 Drive Roll Cover

Remove cover.

Changing Push Roll:

To remove push roll:

2 Push Roll Screw

3 Washer

4 Push Roll

Remove screw and washer, and lift out drive roll.

To install drive roll:

Slide drive roll onto shaft and secure with washer and screw.

Changing Lower Drive Roll:

To remove drive roll:

5 Lower Drive Roll Screw

6 Washer

7 Lower Drive Roll

8 Drive Roll Key

9 Drive Roll Shaft

Remove screw and washer, and lift out drive roll. Note: drive roll key will come out with drive roll.

To install drive roll:

Place drive roll key in slot in drive roll shaft.

Line slot in drive roll up with drive roll key, and slide drive roll onto shaft.

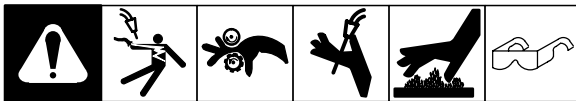
Secure drive roll with washer and screw.

Reinstall gun case, if applicable.

Reinstall drive roll cover.

804 987-A

5-3. Changing Liner

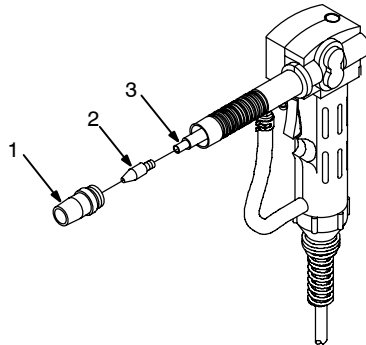


Turn Off power at welding power source first.

- 1 Nozzle
- 2 Contact Tip
- 3 Liner

Remove and replace liner.

Reinstall parts as shown.



Tools Needed:



Ref. 804 985-A

5-4. Troubleshooting

Trouble	Remedy
No weld output; gun/feeder does not work.	Place Power switch on welding power source in the On position (see welding power source Owner's Manual). Check Spool Gun/MIG Gun switch for correct position.
Erratic weld output.	Tighten and clean all connections.
	Check for proper weld output polarity connections (see Section 4-1A, 3-5 or 3-6).
Pressing gun/feeder trigger does not energize welding power source; welding wire is not energized; shielding gas does not flow.	Secure plug from gun/feeder trigger cord into 4-socket receptacle on welding power source (see Section 3-3B, 3-5 or 3-6).
	Place Spool Gun/MIG Gun switch in Spool Gun position (see Section 3-3B or 3-6).
Wire feeds, shielding gas flows, but welding wire is not energized.	Secure spool gun cable connector to wire drive assembly inside welding power source (see Section 3-3B, 3-5 or 3-6).
	See Troubleshooting section in welding power source Owner's Manual.
Wire feeds erratically.	Check and correct drive roll pressure (see Section 3-7).
	Clean or replace drive roll; clean or replace liner (see Sections 5-2 and 5-3).

5-5. GMAW (MIG) Aluminum Welding Hints

Here are several hints to help you be more successful with your new aluminum feed system.

MIG welding aluminum requires different techniques than MIG welding mild steel.

A. Before You Start Welding

- The removal of lubricants from the aluminum base material may be necessary. Consult with your local welding distributor for their recommendation on aluminum cleaners.
- Oxide removal should be done after degreasing. This should be done with a stainless steel wire brush. This can be done with a hand wire brush or with a cup wire brush. If a power wire brush is used, keep the RPM's and pressures low to reduce smearing the surface of the material, which could entrap oxides and impurities under the surface. Always use a wire brush that is used only on aluminum to keep from contaminating the base material.
- Contact your local welding distributor or aluminum filler metal representative for recommendations on wire alloys that fit your application. Know the alloy of your base aluminum and what conditions the finished part will be subjected to. The two most readily available aluminum filler wires are ER4043 and ER5356.

B. Welding Techniques

- Make sure the welding power source is set up to weld DCEP (DC Electrode Positive).
- For MIG welding aluminum you need to use a 10 to 15 degree push travel angle (tip and nozzle pointing in the direction of travel). See Figure 5-1.

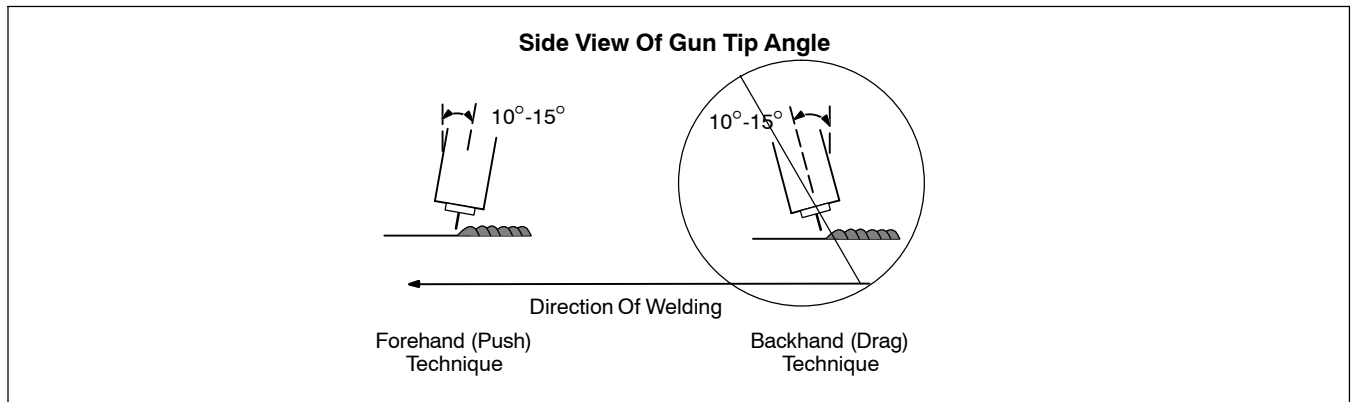


Figure 5-1. Gun Tip Angle

- Pulling or using a drag angle will produce porous, dirty welds due to a lack of gas coverage.
- The reflective heat and weld puddle that is present when MIG welding aluminum is very hot. Holding the tip closer than 3/4 in. could lead to the wire burning back to the contact tip and other feeding problems.
- The most common shielding gas for MIG welding aluminum is 100% argon. Flow rates of 20 to 30 CFH [cubic feet per hour (0.57 to 0.85 m³/hr)] are acceptable. C25 or argon CO₂ shielding gases are not acceptable.

- Maintain a 3/4 in. (19 mm) tip-to-work distance, and have the contact tip recessed approximately 1/8 in. inside the nozzle if possible. See Figure 5-2.

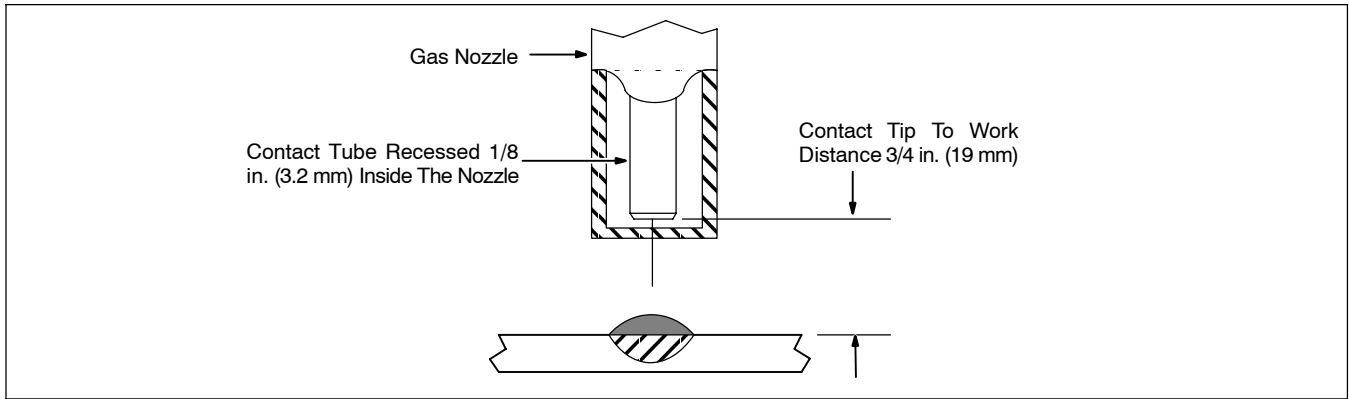


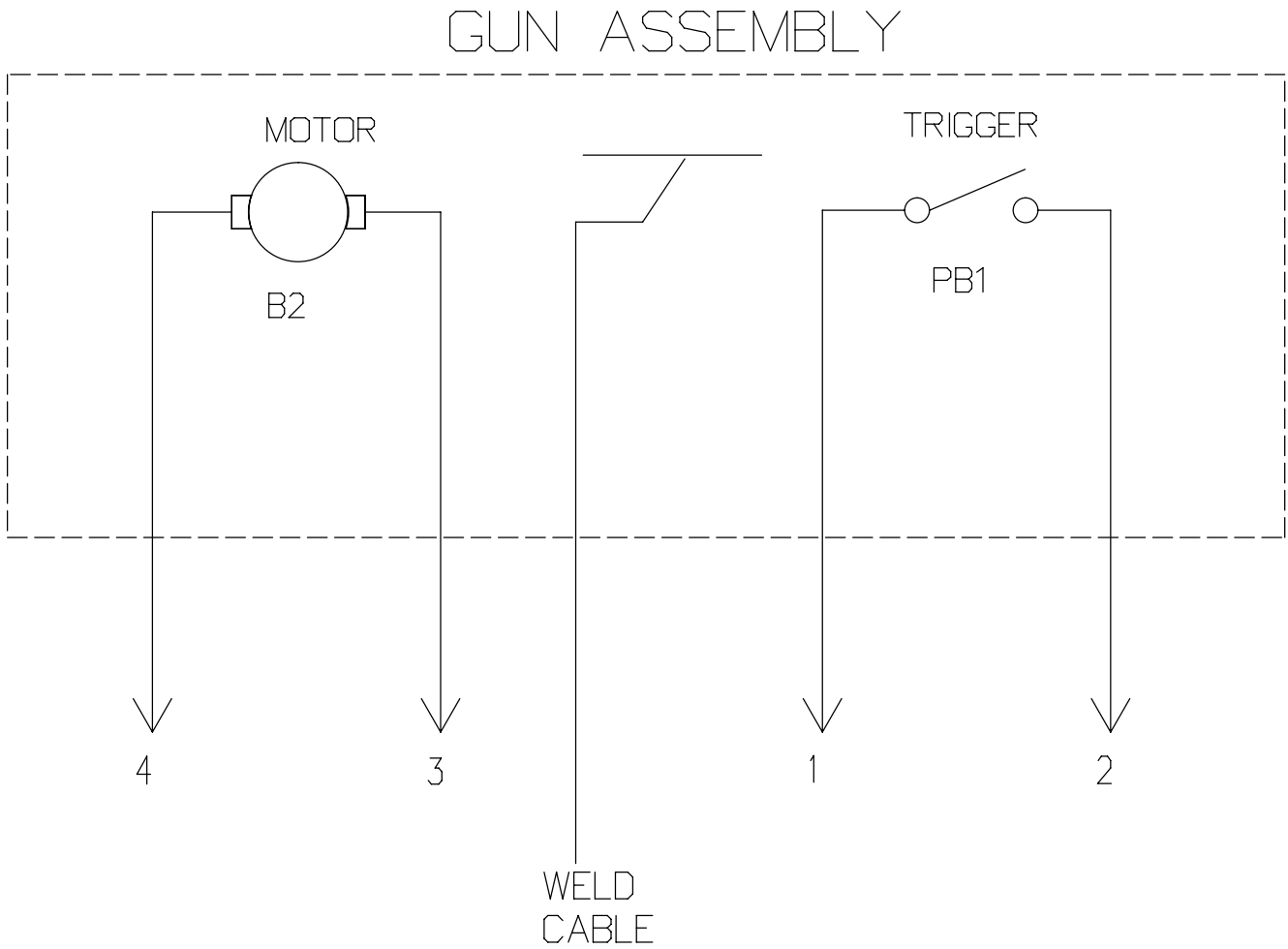
Figure 5-2. Contact Tube Position And Tip-To-Work Distance

- Avoid large weave beads on aluminum. If larger fillet welds are needed, multiple pass stringer beads will provide better appearance and have less chance of cold lapping, melt through, and other weld defects.
- It will be necessary to increase torch travel speed as the base material becomes heated during the welding process.
- The skill level of the operator, joint types, fit up, and positions, as well as the welding power supply will all have a great influence on the weldability of the aluminum and your success.

C. Common Problems/Troubleshooting


- Melt through caused by over heating the base material.
 1. Increase travel speed. Use sequencing to make shorter welds.
 2. Sequence welds.
 3. Use thicker material, change joint design or welding process to AC TIG.
 4. Eliminate or reduce gaps.
- Dirty welds.
 1. Use push angle instead of drag technique.
 2. Increase voltage to get into spray transfer, if unit output is capable of this process.
 3. Use proper base metal cleaning techniques (stainless steel brush).
 4. Check for proper shielding gas and wire alloy type.
- Wire burns back to contact tip during or at the end of the weld.
 1. Maintain a 3/4 in. (19 mm) tip-to-work distance.
 2. Check to make sure the contact tip size, drive rolls and gun liner match the wire diameter that you are using. (Sometimes an oversized tip can be used. The ID should only be one size larger than the wire diameter.)
- Wire “bird nests” (piles up) in front of inlet guide on gun.
 1. Check and adjust drive roll tension.
 2. Check to make sure drive rolls match wire diameter.
 3. Replace contact tip if fouled or plugged. (Sometimes an oversized tip can be used. The ID should only be one size larger than the wire diameter.)

SECTION 6 – ELECTRICAL DIAGRAMS



186 451

Figure 6-1. Circuit Diagram For Spoolmate

	WARNING
	<ul style="list-style-type: none"> • Do not touch live electrical parts. • Disconnect input power or stop engine before servicing. • Do not operate with covers removed. • Have only qualified persons install, use, or service this unit.
ELECTRIC SHOCK HAZARD	

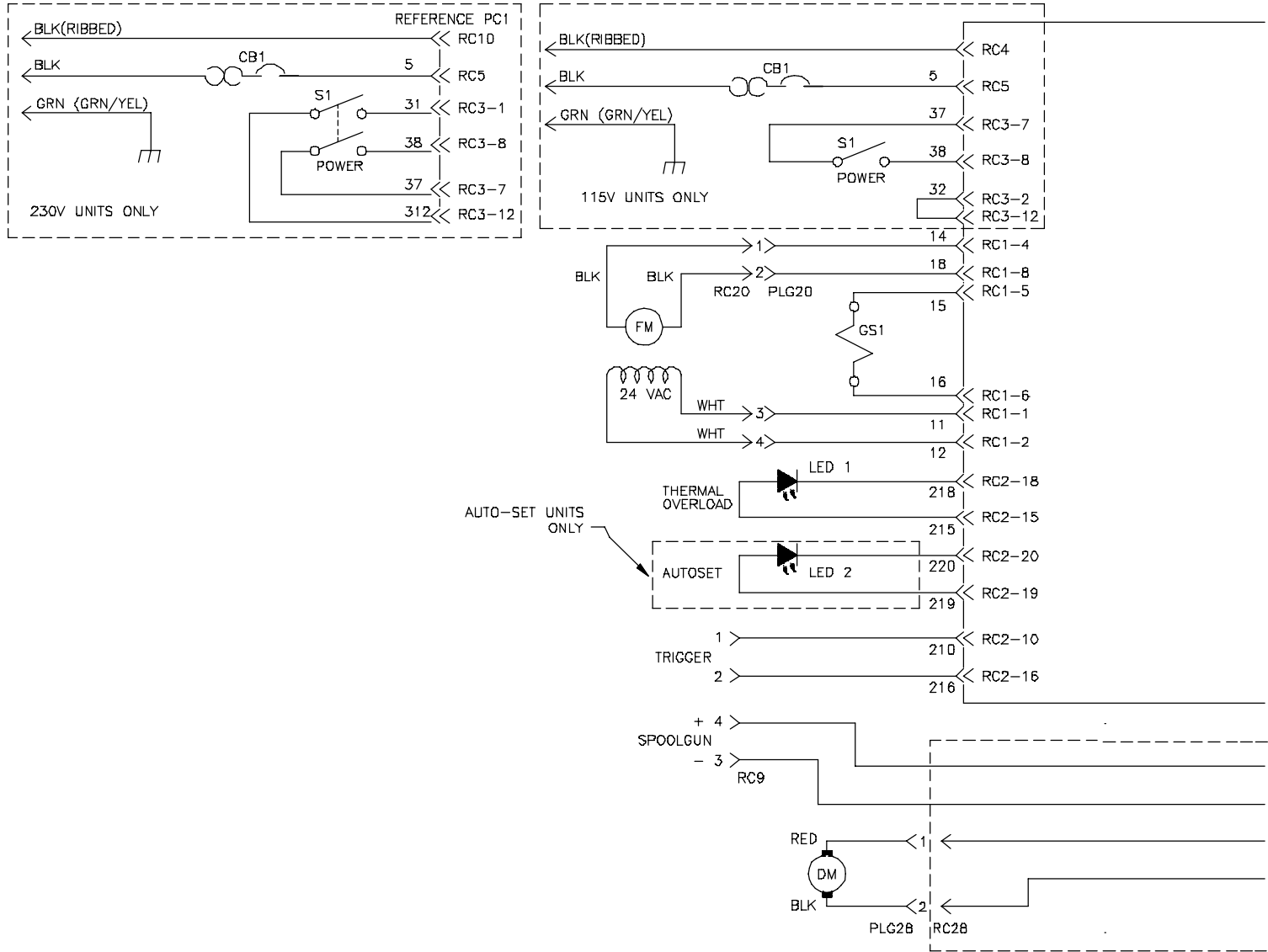
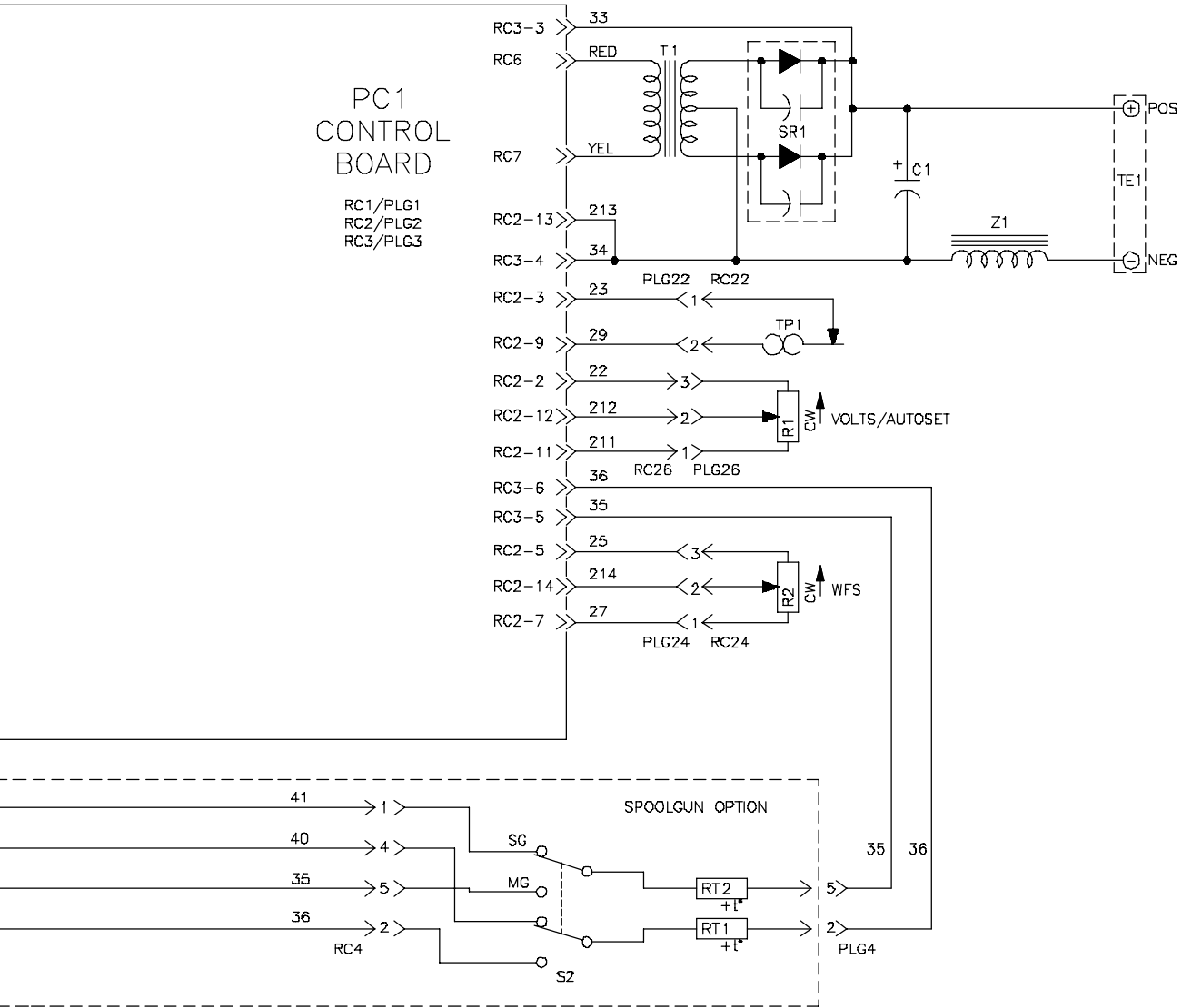


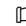
Figure 6-2. Circuit Diagram For Millermatic 140/180

PC1
CONTROL
BOARD

RC1/PLG1
RC2/PLG2
RC3/PLG3



SECTION 7 – PARTS LIST

 Hardware is common and not available unless listed.

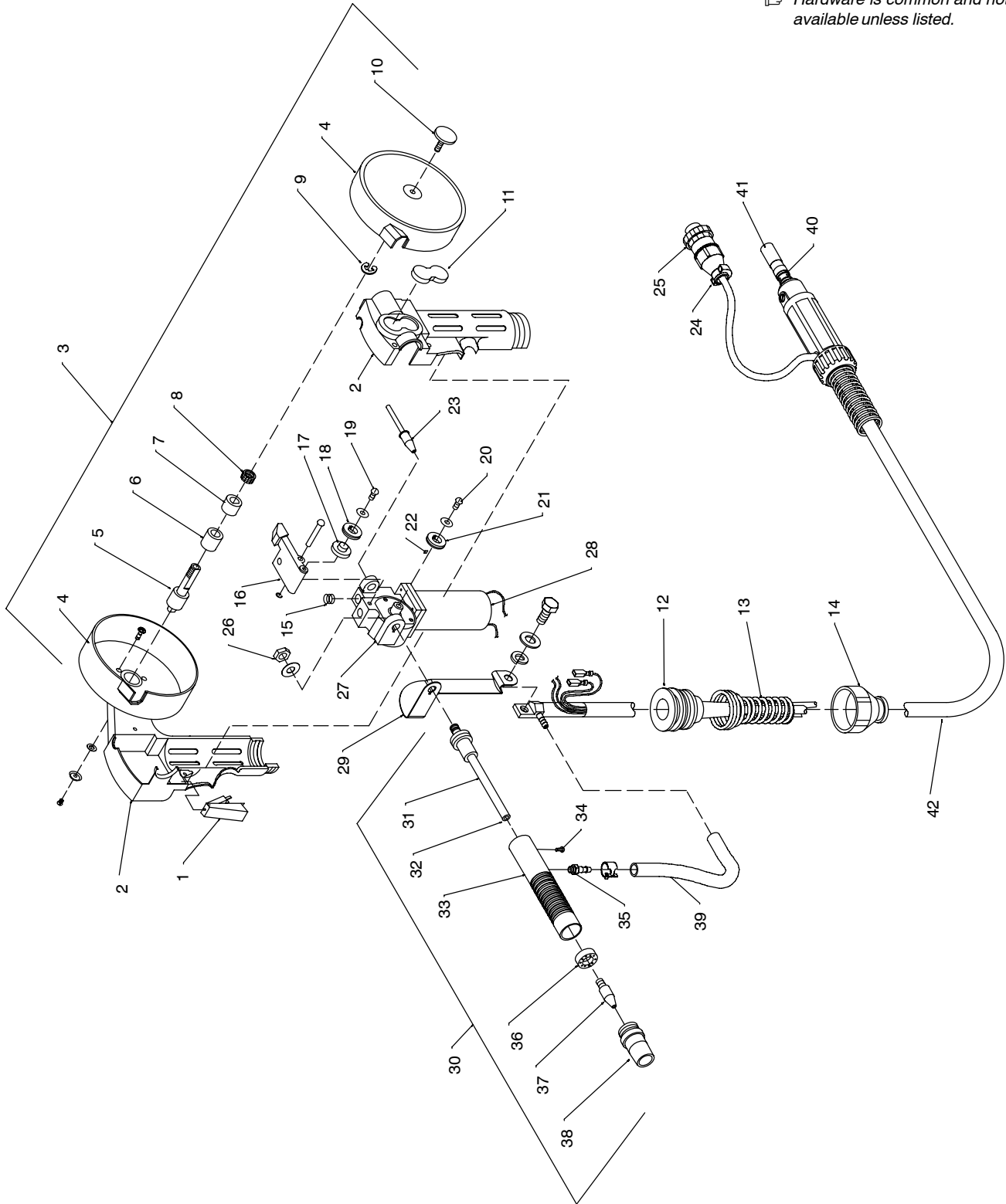


Figure 7-1. Complete Assembly

Item No.	Dia. Mkgs.	Part No.	Description	Quantity
Figure 7-1. Complete Assembly				
1	PB1	186 416	TRIGGER SWITCH	1
2		186 418	PLASTIC HANDLE	1
		209 177	HARDWARE KIT, Spoolmate case	1
3		196 966	SPOOL COVER ASSY (including)	1
4		194 622	SPOOL DEFENCE SHELL	1
5		194 623	SPOOL SHAFT	1
6		194 624	BUSHING RESISTANCE RUBBER	1
7		194 625	LOCATION BUSHING	1
8		194 626	ADJUSTING NUT	1
9			RING, rtng C-clip .140 shaft x .015 thick	1
10		194 627	LOCKING SCREW	1
11		187 239	COVER, drive roll	1
12		231 107	STRAIN RELIEF, cable	1
13		231 108	SPRING, cable	1
14		226 615	NUT, handle plastic	1
15		193 999	SPRING, CPRSN .310 OD x .040 wire x 1.380	1
16		186 415	PRESS ARM W/SHAFT, C-clip washer	1
17		187 238	BEARING	1
18		186 414	PUSH ROLL .030/.035 (0.8/0.9 MM)	1
19		209 079	SCREW M4 x 0.7 x 16	1
20		209 080	SCREW M4 x 0.7 x 6	1
21		186 413	DRIVE ROLL .030/.035 (0.8/0.9 MM)	1
18		◆199 732	PUSH ROLL UK .023	1
21		◆199 731	DRIVE ROLL UK .023	1
22		186 488	KEY, drive roll 2 mm x 7 mm	1
23		186 410	INLET GUIDE	1
24		048 834	CLAMP, circ	1
25		079 878	CONNECTOR W/SOCKETS	1
26		194 631	NUT, brass	1
27		234 233	GEARBOX ASSEMBLY	1
28	B2	234 234	MOTOR	1
29		196 398	BUSS BAR, interconnecting	1
30		186 404	GUN TUBE ASSEMBLY (including)	1
31		234 348	HEAD TUBE ASSY	1
32		206 363	LINER KIT	1
33		194 633	BARREL	1
34		209 080	SCREW, M4 x 0.7 x 6 mm	1
35		186 408	GAS NIPPLE	1
36		186 409	GAS DIFFUSER	1
37		186 419	CONTACT TIP .030	1
37		◆186 406	CONTACT TIP .035	1
37		◆199 730	CONTACT TIP .023	1
38		186 405	NOZZLE	1
39		111 400	HOSE, SAE .187 ID X .410 OD X 8.000	1
40		079 974	O-RING, .500 ID X .103 cs rbr	2
41		234 236	CONNECTOR, plug	1
42		234 237	CABLE ASSEMBLY, 12 FT w/connector plug	1

◆OPTIONAL

To maintain the factory original performance of your equipment, use only Manufacturer's Suggested Replacement Parts. Model and serial number required when ordering parts from your local distributor.

TRUE BLUE[®]

WARRANTY

Effective January 1, 2010

(Equipment with a serial number preface of MA or newer)

This limited warranty supersedes all previous Miller warranties and is exclusive with no other guarantees or warranties expressed or implied.

Warranty Questions?

Call
1-800-4-A-MILLER
for your local
Miller distributor.

Your distributor also gives
you ...

Service

You always get the fast,
reliable response you
need. Most replacement
parts can be in your
hands in 24 hours.

Support

Need fast answers to the
tough welding questions?
Contact your distributor.
The expertise of the
distributor and Miller is
there to help you, every
step of the way.

LIMITED WARRANTY – Subject to the terms and conditions below, Miller Electric Mfg. Co., Appleton, Wisconsin, warrants to its original retail purchaser that new Miller equipment sold after the effective date of this limited warranty is free of defects in material and workmanship at the time it is shipped by Miller. THIS WARRANTY IS EXPRESSLY IN LIEU OF ALL OTHER WARRANTIES, EXPRESS OR IMPLIED, INCLUDING THE WARRANTIES OF MERCHANTABILITY AND FITNESS.

Within the warranty periods listed below, Miller will repair or replace any warranted parts or components that fail due to such defects in material or workmanship. Miller must be notified in writing within thirty (30) days of such defect or failure, at which time Miller will provide instructions on the warranty claim procedures to be followed.

Miller shall honor warranty claims on warranted equipment listed below in the event of such a failure within the warranty time periods. All warranty time periods start on the delivery date of the equipment to the original end-user purchaser, and not to exceed one year after the equipment is shipped to a North American distributor or eighteen months after the equipment is shipped to an International distributor.

1. 5 Years Parts — 3 Years Labor
 - * Original main power rectifiers only to include SCRs, diodes, and discrete rectifier modules
2. 3 Years — Parts and Labor
 - * Engine Driven Welding Generators
(NOTE: Engines are warranted separately by the engine manufacturer.)
 - * Inverter Power Sources (Unless Otherwise Stated)
 - * Plasma Arc Cutting Power Sources
 - * Process Controllers
 - * Semi-Automatic and Automatic Wire Feeders
 - * Smith 30 Series Flowgauge and Flowmeter Regulators (No Labor)
 - * Transformer/Rectifier Power Sources
 - * Water Coolant Systems (Integrated)
3. 2 Years — Parts
 - * Auto-Darkening Helmet Lenses (No Labor)
4. 1 Year — Parts and Labor Unless Specified
 - * Automatic Motion Devices
 - * CoolBelt and CoolBand Blower Unit (No Labor)
 - * External Monitoring Equipment and Sensors
 - * Field Options
(NOTE: Field options are covered for the remaining warranty period of the product they are installed in, or for a minimum of one year — whichever is greater.)
 - * Flowgauge and Flowmeter Regulators (No Labor)
 - * RFCS Foot Controls (Except RFCS-RJ45)
 - * Fume Extractors
 - * HF Units
 - * ICE Plasma Cutting Torches (No Labor)
 - * Induction Heating Power Sources, Coolers, and Electronic Controls/Recorders
 - * Load Banks
 - * Motor Driven Guns (w/exception of Spoolmate Spoolguns)
 - * PAPR Blower Unit (No Labor)
 - * Positioners and Controllers
 - * Racks
 - * Running Gear/Trailers
 - * Spot Welders
 - * Subarc Wire Drive Assemblies
 - * Water Coolant Systems (Non-Integrated)
 - * Weldcraft-Branded TIG Torches (No Labor)
 - * Work Stations/Weld Tables (No Labor)
5. 6 Months — Parts
 - * Batteries
 - * Bernard Guns (No Labor)
 - * Tregaskiss Guns (No Labor)

6. 90 Days — Parts
 - * Accessory (Kits)
 - * Canvas Covers
 - * Induction Heating Coils and Blankets, Cables, and Non-Electronic Controls
 - * M-Guns
 - * MIG Guns and Subarc (SAW) Guns
 - * Remote Controls and RFCS-RJ45
 - * Replacement Parts (No labor)
 - * Roughneck Guns
 - * Spoolmate Spoolguns

Miller's True Blue[®] Limited Warranty shall not apply to:

1. **Consumable components; such as contact tips, cutting nozzles, contactors, brushes, relays, work station table tops and welding curtains, or parts that fail due to normal wear. (Exception: brushes and relays are covered on all engine-driven products.)**
2. Items furnished by Miller, but manufactured by others, such as engines or trade accessories. These items are covered by the manufacturer's warranty, if any.
3. Equipment that has been modified by any party other than Miller, or equipment that has been improperly installed, improperly operated or misused based upon industry standards, or equipment which has not had reasonable and necessary maintenance, or equipment which has been used for operation outside of the specifications for the equipment.

MILLER PRODUCTS ARE INTENDED FOR PURCHASE AND USE BY COMMERCIAL/INDUSTRIAL USERS AND PERSONS TRAINED AND EXPERIENCED IN THE USE AND MAINTENANCE OF WELDING EQUIPMENT.

In the event of a warranty claim covered by this warranty, the exclusive remedies shall be, at Miller's option: (1) repair; or (2) replacement; or, where authorized in writing by Miller in appropriate cases, (3) the reasonable cost of repair or replacement at an authorized Miller service station; or (4) payment of or credit for the purchase price (less reasonable depreciation based upon actual use) upon return of the goods at customer's risk and expense. Miller's option of repair or replacement will be F.O.B., Factory at Appleton, Wisconsin, or F.O.B. at a Miller authorized service facility as determined by Miller. Therefore no compensation or reimbursement for transportation costs of any kind will be allowed.

TO THE EXTENT PERMITTED BY LAW, THE REMEDIES PROVIDED HEREIN ARE THE SOLE AND EXCLUSIVE REMEDIES. IN NO EVENT SHALL MILLER BE LIABLE FOR DIRECT, INDIRECT, SPECIAL, INCIDENTAL OR CONSEQUENTIAL DAMAGES (INCLUDING LOSS OF PROFIT), WHETHER BASED ON CONTRACT, TORT OR ANY OTHER LEGAL THEORY.

ANY EXPRESS WARRANTY NOT PROVIDED HEREIN AND ANY IMPLIED WARRANTY, GUARANTY OR REPRESENTATION AS TO PERFORMANCE, AND ANY REMEDY FOR BREACH OF CONTRACT TORT OR ANY OTHER LEGAL THEORY WHICH, BUT FOR THIS PROVISION, MIGHT ARISE BY IMPLICATION, OPERATION OF LAW, CUSTOM OF TRADE OR COURSE OF DEALING, INCLUDING ANY IMPLIED WARRANTY OF MERCHANTABILITY OR FITNESS FOR PARTICULAR PURPOSE, WITH RESPECT TO ANY AND ALL EQUIPMENT FURNISHED BY MILLER IS EXCLUDED AND DISCLAIMED BY MILLER.

Some states in the U.S.A. do not allow limitations of how long an implied warranty lasts, or the exclusion of incidental, indirect, special or consequential damages, so the above limitation or exclusion may not apply to you. This warranty provides specific legal rights, and other rights may be available, but may vary from state to state.

In Canada, legislation in some provinces provides for certain additional warranties or remedies other than as stated herein, and to the extent that they may not be waived, the limitations and exclusions set out above may not apply. This Limited Warranty provides specific legal rights, and other rights may be available, but may vary from province to province.





Owner's Record

Please complete and retain with your personal records.

Model Name

Serial/Style Number

Purchase Date

(Date which equipment was delivered to original customer.)

Distributor

Address

City

State

Zip



For Service

Contact a DISTRIBUTOR or SERVICE AGENCY near you.

Always provide Model Name and Serial/Style Number.

Contact your Distributor for:

Welding Supplies and Consumables

Options and Accessories

Personal Safety Equipment

Service and Repair

Replacement Parts

Training (Schools, Videos, Books)

Technical Manuals (Servicing Information and Parts)

Circuit Diagrams

Welding Process Handbooks

To locate a Distributor or Service Agency visit www.millerwelds.com or call 1-800-4-A-Miller

Contact the Delivering Carrier to:

File a claim for loss or damage during shipment.

For assistance in filing or settling claims, contact your distributor and/or equipment manufacturer's Transportation Department.

Miller Electric Mfg. Co.

An Illinois Tool Works Company
1635 West Spencer Street
Appleton, WI 54914 USA

International Headquarters—USA

USA Phone: 920-735-4505 Auto-Attended
USA & Canada FAX: 920-735-4134
International FAX: 920-735-4125

For International Locations Visit
www.MillerWelds.com

