



**OPERATOR'S MANUAL
MANUEL de L'UTILISATEUR
MANUAL del OPERADOR**

**Cat. No.
No de Cat.
6088-30
6088-31
6089-30
6089-31**



**HEAVY-DUTY SANDERS AND GRINDERS
PONCEUSES-RECTIFIEUSES EXTRA ROBUSTES
LIJADORAS Y ESMERILADORAS HEAVY-DUTY**

TO REDUCE THE RISK OF INJURY, USER MUST READ AND UNDERSTAND OPERATOR'S MANUAL.

AFIN DE RÉDUIRE LE RISQUE DE BLESSURES, L'UTILISATEUR DOIT LIRE ET BIEN COMPRENDRE LE MANUEL DE L'UTILISATEUR.

PARA REDUCIR EL RIESGO DE LESIONES, EL USUARIO DEBE LEER Y ENTENDER EL MANUAL DEL OPERADOR.

GENERAL POWER TOOL SAFETY WARNINGS



WARNING READ ALL SAFETY WARNINGS AND ALL INSTRUCTIONS. Failure to follow the warnings and instructions may result in electric shock, fire and/or serious injury. **Save all warnings and instructions for future reference.** The term "power tool" in the warnings refers to your mains-operated (corded) power tool or battery-operated (cordless) power tool.

WORK AREA SAFETY

- **Keep work area clean and well lit.** Cluttered or dark areas invite accidents.
- **Do not operate power tools in explosive atmospheres, such as in the presence of flammable liquids, gases or dust.** Power tools create sparks which may ignite the dust or fumes.
- **Keep children and bystanders away while operating a power tool.** Distractions can cause you to lose control.

ELECTRICAL SAFETY

- **Power tool plugs must match the outlet. Never modify the plug in any way. Do not use any adapter plugs with earthed (grounded) power tools.** Unmodified plugs and matching outlets will reduce risk of electric shock.
- **Avoid body contact with earthed or grounded surfaces such as pipes, radiators, ranges and refrigerators.** There is an increased risk of electric shock if your body is earthed or grounded.
- **Do not expose power tools to rain or wet conditions.** Water entering a power tool will increase the risk of electric shock.
- **Do not abuse the cord. Never use the cord for carrying, pulling or unplugging the power tool. Keep cord away from heat, oil, sharp edges or moving parts.** Damaged or entangled cords increase the risk of electric shock.
- **When operating a power tool outdoors, use an extension cord suitable for outdoor use.** Use of a cord suitable for outdoor use reduces the risk of electric shock.
- **If operating a power tool in a damp location is unavoidable, use a residual current device (RCD) protected supply.** Use of an RCD reduces the risk of electric shock.

PERSONAL SAFETY

- **Stay alert, watch what you are doing and use common sense when operating a power tool. Do not use a power tool while you are tired or under the influence of drugs, alcohol or medication.** A moment of inattention while operating power tools may result in serious personal injury.
- **Use personal protective equipment. Always wear eye protection.** Protective equipment such as dust mask, non-skid safety shoes, hard hat, or hearing protection used for appropriate conditions will reduce personal injuries.
- **Prevent unintentional starting. Ensure the switch is in the off-position before connecting to power source and/or battery pack, picking up or carrying the tool.** Carrying power tools with your finger on the switch or energising power tools that have the switch on invites accidents.

- **Remove any adjusting key or wrench before turning the power tool on.** A wrench or a key left attached to a rotating part of the power tool may result in personal injury.
- **Do not overreach. Keep proper footing and balance at all times.** This enables better control of the power tool in unexpected situations.
- **Dress properly. Do not wear loose clothing or jewellery. Keep your hair, clothing and gloves away from moving parts.** Loose clothes, jewellery or long hair can be caught in moving parts.
- **If devices are provided for the connection of dust extraction and collection facilities, ensure these are connected and properly used.** Use of dust collection can reduce dust-related hazards.

POWER TOOL USE AND CARE

- **Do not force the power tool. Use the correct power tool for your application.** The correct power tool will do the job better and safer at the rate for which it was designed.
- **Do not use the power tool if the switch does not turn it on and off.** Any power tool that cannot be controlled with the switch is dangerous and must be repaired.
- **Disconnect the plug from the power source and/or the battery pack from the power tool before making any adjustments, changing accessories, or storing power tools.** Such preventive safety measures reduce the risk of starting the power tool accidentally.
- **Store idle power tools out of the reach of children and do not allow persons unfamiliar with the power tool or these instructions to operate the power tool.** Power tools are dangerous in the hands of untrained users.
- **Maintain power tools. Check for misalignment or binding of moving parts, breakage of parts and any other condition that may affect the power tool's operation. If damaged, have the power tool repaired before use.** Many accidents are caused by poorly maintained power tools.
- **Keep cutting tools sharp and clean.** Properly maintained cutting tools with sharp cutting edges are less likely to bind and are easier to control.
- **Use the power tool, accessories and tool bits etc., in accordance with these instructions, taking into account the working conditions and the work to be performed.** Use of the power tool for operations different from those intended could result in a hazardous situation.

SERVICE

- **Have your power tool serviced by a qualified repair person using only identical replacement parts.** This will ensure that the safety of the power tool is maintained.

SPECIFIC SAFETY RULES

Safety Warnings Common for Grinding, Sanding, Wire Brushing, or Abrasive Cutting-Off Operations:

- **This power tool is intended to function as a grinder, sander, wire brushing or cut-off tool. Read all safety warnings, instructions, illustrations and specifications provided with this power tool.** Failure to follow all instructions listed below may result in electric shock, fire and/or serious injury.
- **Operations such as polishing are not recommended to be performed with this power tool.** Operations for which the power tool was not designed may create a hazard and cause personal injury.
- **Do not use accessories which are not specifically designed and recommended by the tool manufacturer.** Just because the accessory can be attached to your power tool, it does not assure safe operation.
- **The rated speed of the accessory must be at least equal to the maximum speed marked on the power tool.** Accessories running faster than their RATED SPEED can break and fly apart.
- **The outside diameter and the thickness of your accessory must be within the capacity rating of your power tool.** Incorrectly sized accessories cannot be adequately guarded or controlled.
- **The arbour size of wheels, flanges, backing pads or any other accessory must properly fit the spindle of the power tool.** Accessories with arbour holes that do not match the mounting hardware of the power tool will run out of balance, vibrate excessively and may cause loss of control.
- **Do not use a damaged accessory. Before each use inspect the accessory such as abrasive wheels for chips and cracks, backing pad for cracks, tear or excess wear, wire brush for loose or cracked wires.** If power tool or accessory is dropped, inspect for damage or install an undamaged accessory. After inspecting and installing an accessory, position yourself and bystanders away from the plane of the rotating accessory and run the power tool at maximum no-load speed for one minute. Damaged accessories will normally break apart during this test time.
- **Wear personal protective equipment. Depending on application, use face shield, safety goggles or safety glasses. As appropriate, wear dust mask, hearing protectors, gloves and workshop apron capable of stopping small abrasive or workpiece fragments.** The eye protection must be capable of stopping flying debris generated by various operations. The eye protection must be capable of stopping flying debris generated by various operations. The dust mask or respirator must be capable of filtering particles generated by your operation. Prolonged exposure to high intensity noise may cause hearing loss.
- **Keep bystanders a safe distance away from work area. Anyone entering the work area must wear personal protective equipment.** Fragments of workpiece or of a broken accessory may fly away and cause injury beyond immediate area of operation.

- **Hold the power tool by insulated gripping surfaces only, when performing an operation where the cutting accessory may contact hidden wiring.** Cutting accessory contacting a "live" wire may make exposed metal parts of the power tool "live" and could give the operator an electric shock.
 - **Position the cord clear of the spinning accessory.** If you lose control, the cord may be cut or snagged and your hand or arm may be pulled into the spinning accessory.
 - **Never lay the power tool down until the accessory has come to a complete stop.** The spinning accessory may grab the surface and pull the power tool out of your control.
 - **Do not run the power tool while carrying it at your side.** Accidental contact with the spinning accessory could snag your clothing, pulling the accessory into your body.
 - **Regularly clean the power tool's air vents.** The motor's fan will draw the dust inside the housing and excessive accumulation of powdered metal may cause electrical hazards.
 - **Do not operate the power tool near flammable materials.** Sparks could ignite these materials.
 - **Do not use accessories that require liquid coolants.** Using water or other liquid coolants may result in electrocution or shock.
- NOTE** The above warning does not apply for power tools specifically designed for use with a liquid system.

Kickback and Related Warnings

- Kickback is a sudden reaction to a pinched or snagged rotating wheel, backing pad, brush or any other accessory. Pinching or snagging causes rapid stalling of the rotating accessory which in turn causes the uncontrolled power tool to be forced in the direction opposite of the accessory's rotation at the point of the binding.
For example, if an abrasive wheel is snagged or pinched by the workpiece, the edge of the wheel that is entering into the pinch point can dig into the surface of the material causing the wheel to climb out or kick out. The wheel may either jump toward or away from the operator, depending on direction of the wheel's movement at the point of pinching. Abrasive wheels may also break under these conditions.
- Kickback is the result of power tool misuse and/or incorrect operating procedures or conditions and can be avoided by taking proper precautions as given below.
- **Maintain a firm grip on the power tool and position your body and arm to allow you to resist kickback forces. Always use auxiliary handle, if provided, for maximum control over kickback or torque reaction during start-up.** The operator can control torque reactions or kickback forces, if proper precautions are taken.
- **Never place your hand near the rotating accessory.** Accessory may kickback over your hand.
- **Do not position your body in the area where power tool will move if kickback occurs.** Kickback will propel the tool in direction opposite to the wheel's movement at the point of snagging.
- **Use special care when working corners, sharp**

edges etc. Avoid bouncing and snagging the accessory. Corners, sharp edges or bouncing have a tendency to snag the rotating accessory and cause loss of control or kickback.

• **Do not attach a saw chain woodcarving blade or toothed saw blade.** Such blades create frequent kickback and loss of control.

Safety Warnings Specific for Grinding and Abrasive Cutting-Off Operations:

• **Use only wheel types that are recommended for your power tool and the specific guard designed for the selected wheel.** Wheels for which the power tool was not designed cannot be adequately guarded and are unsafe.

• **The guard must be securely attached to the power tool and positioned for maximum safety, so the least amount of wheel is exposed towards the operator.** The guard helps to protect the operator from broken wheel fragments and, accidental contact with wheel and sparks that could ignite clothing.

NOTE The above warning may be omitted for grinders or cut-off grinders with rated capacity of less than 55 mm.

• **Wheels must be used only for recommended applications. For example: do not grind with the side of cut-off wheel.** Abrasive cut-off wheels are intended for peripheral grinding, side forces applied to these wheels may cause them to shatter.

• **Always use undamaged wheel flanges that are of correct size and shape for your selected wheel.** Proper wheel flanges support the wheel thus reducing the possibility of wheel breakage. Flanges for cut-off wheels may be different from grinding wheel flanges.

• **Do not use worn down wheels from larger power tools.** Wheel intended for larger power tool is not suitable for the higher speed of a smaller tool and may burst.

Additional Safety Warnings Specific for Abrasive Cutting-Off Operations:

• **Do not "jam" the cut-off wheel or apply excessive pressure. Do not attempt to make an excessive depth of cut.** Overstressing the wheel increases the loading and susceptibility to twisting or binding of the wheel in the cut and the possibility of kickback or wheel breakage.

• **Do not position your body in line with and behind the rotating wheel.** When the wheel, at the point of operation, is moving away from your body, the possible kickback may propel the spinning wheel and the power tool directly at you.

• **When wheel is binding or when interrupting a cut for any reason, switch off the power tool and hold the power tool motionless until the wheel comes to a complete stop. Never attempt to remove the cut-off wheel from the cut while the wheel is in motion otherwise kickback may occur.** Investigate and take corrective action to eliminate the cause of wheel binding.

• **Do not restart the cutting operation in the workpiece. Let the wheel reach full speed and carefully reenter the cut.** The wheel may bind, walk up or kickback if the power tool is restarted in the workpiece.

• **Support panels or any oversized workpiece to minimize the risk of wheel pinching and kickback.** Large workpieces tend to sag under their own weight. Supports must be placed under the workpiece near the line of cut and near the edge of the workpiece on both sides of the wheel.

• **Use extra caution when making a "pocket cut" into existing walls or other blind areas.** The protruding wheel may cut gas or water pipes, electrical wiring or objects that can cause kickback.

Safety Warnings Specific for Sanding Operations:

• **Do not use excessively oversized sanding disc paper. Follow manufacturers recommendations, when selecting sanding paper.** Larger sanding paper extending beyond the sanding pad presents a laceration hazard and may cause snagging, tearing of the disc or kickback.

Safety Warnings Specific for Wire Brushing Operations:

• **Be aware that wire bristles are thrown by the brush even during ordinary operation. Do not overstress the wires by applying excessive load to the brush.** The wire bristles can easily penetrate light clothing and/or skin.

• **If the use of a guard is recommended for wire brushing, do not allow any interference of the wire wheel or brush with the guard.** Wire wheel or brush may expand in diameter due to work load and centrifugal forces.

Maintain labels and nameplates. These carry important information. If unreadable or missing, contact a MILWAUKEE service facility for a free replacement.

• **WARNING:** Some dust created by power sanding, sawing, grinding, drilling, and other construction activities contains chemicals known to cause cancer, birth defects or other reproductive harm. Some examples of these chemicals are:

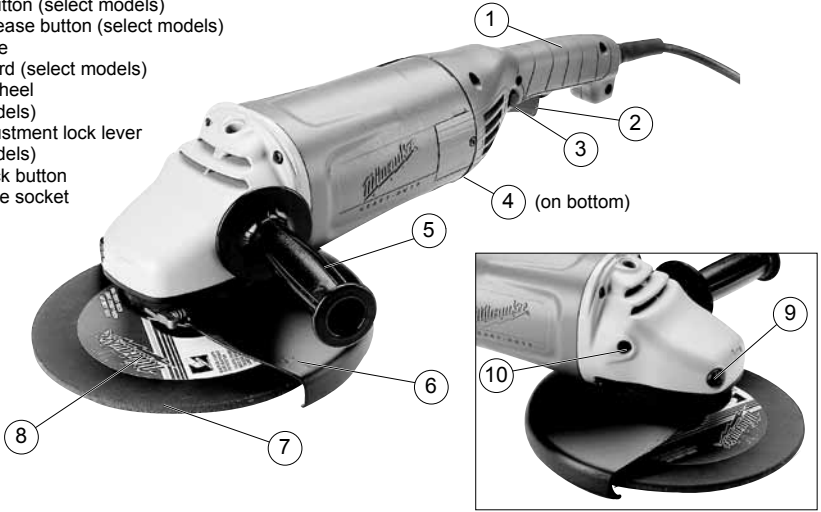
- lead from lead-based paint
- crystalline silica from bricks and cement and other masonry products, and
- arsenic and chromium from chemically-treated lumber.

Your risk from these exposures varies, depending on how often you do this type of work. To reduce your exposure to these chemicals: work in a well ventilated area, and work with approved safety equipment, such as those dust masks that are specially designed to filter out microscopic particles.

SPECIFICATIONS				
Cat. No.	Amps	No Load RPM	Spindle Thread Size	Wheel Size
6088-30	120	15	5/8"-11	7"/9"
6088-31	120	15	5/8"-11	7"/9"
6089-30	120	15	5/8"-11	7"/9"
6089-31	120	15	5/8"-11	7"/9"

FUNCTIONAL DESCRIPTION

1. Rear handle
2. Trigger
3. Lock-on button (select models)
4. Handle release button (select models)
5. Side handle
6. Wheel guard (select models)
7. Grinding wheel (select models)
8. Guard adjustment lock lever (select models)
9. Spindle lock button
10. Side handle socket



SYMBOLOLOGY

	Double Insulated
	Amperes
	Volts
	Alternating Current/Direct Current
n_0 xxx min. ⁻¹	No Load Revolutions per Minute (RPM)
	Underwriters Laboratories, Inc. United States and Canada
	Mexican Approvals Marking

GROUNDING

⚠ WARNING Improperly connecting the grounding wire can result in the risk of electric shock. Check with a qualified electrician if you are in doubt as to whether the outlet is properly grounded. Do not modify the plug provided with the tool. Never remove the grounding prong from the plug. Do not use the tool if the cord or plug is damaged. If damaged, have it repaired by a **MILWAUKEE** service facility before use. If the plug will not fit the outlet, have a proper outlet installed by a qualified electrician.

Grounded Tools: Tools with Three Prong Plugs

Tools marked "Grounding Required" have a three wire cord and three prong grounding plug. The plug must be connected to a properly grounded outlet (See Figure A). If the tool should electrically malfunction or break down, grounding provides a low resistance path to carry electricity away from the user, reducing the risk of electric shock.

The grounding prong in the plug is connected through the green wire inside the cord to the grounding system in the tool. The green wire in the cord must be the only wire connected to the tool's grounding system and must never be attached to an electrically "live" terminal.

Your tool must be plugged into an appropriate outlet, properly installed and grounded in accordance with all codes and ordinances. The plug and outlet should look like those in Figure A.

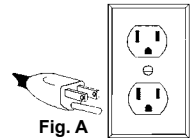


Fig. A

Double Insulated Tools: Tools with Two Prong Plugs

Tools marked "Double Insulated" do not require grounding. They have a special double insulation system which satisfies OSHA requirements and complies with the applicable standards of Underwriters Laboratories, Inc., the Canadian Standard Association and the National Electrical Code. Double Insulated tools may be used in either of the 120 volt outlets shown in Figures B and C.

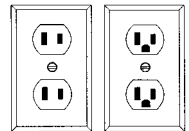


Fig. B

Fig. C

EXTENSION CORDS

Grounded tools require a three wire extension cord. Double insulated tools can use either a two or three wire extension cord. As the distance from the supply outlet increases, you must use a heavier gauge extension cord. Using extension cords with inadequately sized wire causes a serious drop in voltage, resulting in loss of power and possible tool damage. Refer to the table shown to determine the required minimum wire size.

The smaller the gauge number of the wire, the greater the capacity of the cord. For example, a 14 gauge cord can carry a higher current than a 16 gauge cord. When using more than one extension cord to make up the total length, be sure each cord contains at least the minimum wire size required. If you are using one extension cord for more than one tool, add the nameplate amperes and use the sum to determine the required minimum wire size.

Guidelines for Using Extension Cords

- If you are using an extension cord outdoors, be sure it is marked with the suffix "W-A" ("W" in Canada) to indicate that it is acceptable for outdoor use.
- Be sure your extension cord is properly wired and in good electrical condition. Always replace a damaged extension cord or have it repaired by a qualified person before using it.
- Protect your extension cords from sharp objects, excessive heat and damp or wet areas.

Recommended Minimum Wire Gauge For Extension Cords*

Nameplate Amperes	Extension Cord Length				
	25'	50'	75'	100'	150'
0 - 2.0	18	18	18	18	16
2.1 - 3.4	18	18	18	16	14
3.5 - 5.0	18	18	16	14	12
5.1 - 7.0	18	16	14	12	12
7.1 - 12.0	16	14	12	10	--
12.1 - 16.0	14	12	10	--	--
16.1 - 20.0	12	10	--	--	--

* Based on limiting the line voltage drop to five volts at 150% of the rated amperes.

READ AND SAVE ALL INSTRUCTIONS FOR FUTURE USE.

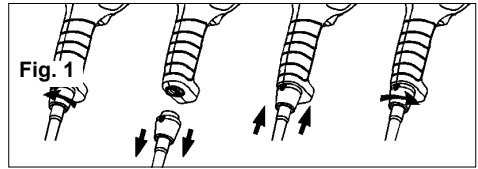
ASSEMBLY

WARNING To reduce the risk of injury, always unplug tool before changing or removing accessories. Only use accessories specifically recommended for this tool. Others may be hazardous.

Removing and Replacing Quik-Lok® Cords (Select Models)

MILWAUKEE's exclusive Quik-Lok® Cords provide instant field replacement or substitution.

1. To remove the Quik-Lok® Cord, turn the cord nut 1/4 turn to the left and pull it out.
2. To replace the Quik-Lok® Cord, align the connector keyways and push the connector in as far as it will go. Turn the cord nut 1/4 turn to the right to lock.



Installing the Side Handle

The side handle may be installed on the top of the gear case or on either side of gear case for right or left handed use. Position side handle in the location which offers best control and guard protection. For operating zones that provide maximum protection for the operator, see Fig. 9. To install, thread side handle into side handle socket on desired side of gear case and tighten securely.

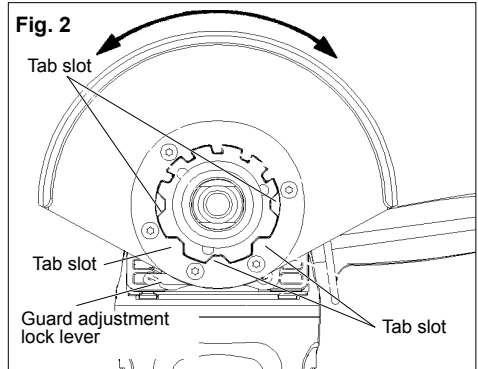
WARNING To reduce the risk of injury when grinding, ALWAYS use the proper guard. ALWAYS properly install the guard.

Installing, Adjusting, and Removing the Guard

The guard must be used when using the tool as a grinder. The guard should be removed when using tool as a sander.

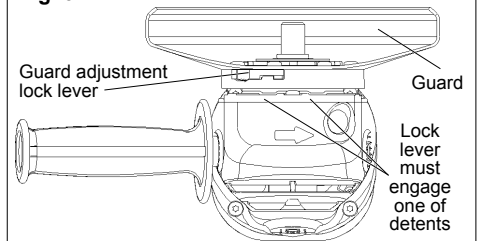
1. To install the guard, unplug the tool and place it upside down on a level surface. Remove any accessories from the spindle.

Line up the tabs with the tab slots (Fig. 2). Then press the guard down onto the tool.



Press in the guard adjustment lock lever and rotate the guard to one of the detent slots. The lock lever must engage with one of the detents (Fig. 3).

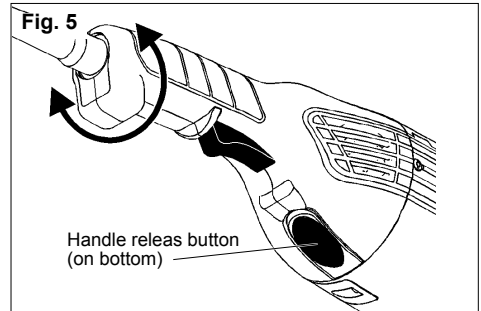
Fig. 3



- Press in the guard adjustment lock lever and rotate the guard to one of the detent slots. The lock lever must engage with one of the detents (Fig. 3).
- To adjust the guard, press in the guard adjustment lock lever and rotate the guard to one of the detents (Fig. 3). Position the guard in the location which offers best control and guard protection. For operating zones that provide maximum protection for the operator, see Fig. 9.
 - To remove the guard, unplug tool and place it upside down on a level surface. Remove any accessories from spindle. Press in the guard adjustment lock lever and rotate the guard to line up the tabs with the slots (Fig. 2). Then lift the guard straight up and away from the tool.

Adjusting the Rear Handle Position Select Models

This tool is equipped with an adjustable rear handle. This feature allows the user to adjust the angle of the handle to nine positions for optimum operating positions.



- Unplug tool.
- Press and hold the handle release button in and rotate the rear handle to one of the nine handle positions. The adjustable handle feature has detents which allow the handle to snap into position. Make sure the handle snaps firmly into position and does not rotate. Position the guard in the location which offers best control and guard protection. For operating zones that provide maximum protection for the operator, see Fig. 9.

OPERATION

WARNING To reduce the risk of injury, wear safety goggles or glasses with side shields.

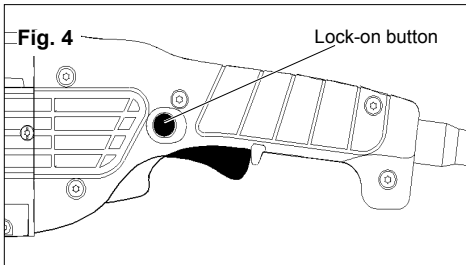
Starting and Stopping the Motor

- To **start** the tool, pull the trigger.
- To **stop** the tool, release the trigger.

WARNING To reduce the risk of injury or damage to the tool, do not use the spindle lock button to stop the spindle while the tool is in use or is coasting after shut-off.

Locking the Trigger Select Models

The lock button holds the trigger in the ON position for continuous use.



- To **lock** the trigger on, hold the lock-on button in while pulling the trigger. Release the trigger.
- To **unlock** the trigger, pull the trigger and release. The lock-on button will pop out.

WARNING To reduce the risk of injury, do not operate tool with handle release button pressed in or with handle not locked into position. If the handle does not lock securely into position, do not operate tool. Return the tool to a MILWAUKEE service facility for repair immediately.

WARNING To reduce the risk of personal injury and damage to the tool, use **ONLY** accessories rated at or above the RPM listed on the "WARNING" section of the tool's nameplate.

Sanding Disc and Grinding Wheel Selection

Use sanding discs and grinding wheels that are:

- correct size as written on tool's nameplate
- correct wheel type and grit for the job
- rated at or above the RPM listed in the "WARNING" section on the tool's nameplate

Use backing pads, adapters, and other accessories that are:

- correct size for tool and for sanding disc or grinding wheel
- rated at or above the RPM listed in the "WARNING" section on the tool's nameplate
- the proper accessory for the job

Sanding Disc and Grinding Wheel Material

Sanding discs and grinding wheels are made of various materials and are designed for different jobs. Be sure that you choose the proper sanding disc or grinding wheel for the job you plan to do.

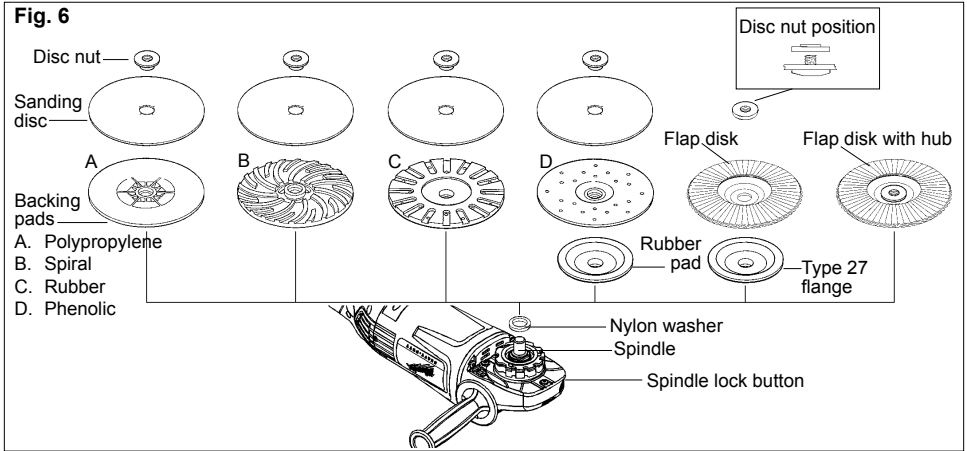
WARNING To reduce the risk of injury, always unplug tool before attaching or removing accessories or making adjustments. Use only specifically recommended accessories. Others may be hazardous.

USING SANDING DISCS

Installing Sanding Discs

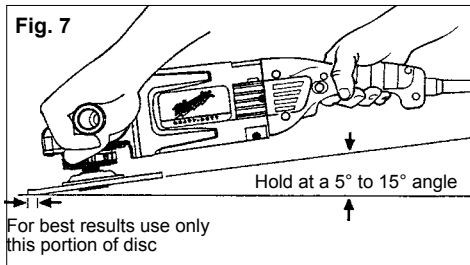
1. Unplug tool and place it upside down on a level surface as shown. Remove any accessories from spindle.
2. Thread nylon washer onto spindle. Attach backing pad and sanding disc using Fig. 6 to determine type and order of assembly.

3. To tighten, press the spindle lock button while turning disc nut clockwise.
4. To remove sanding disc and backing pad, unplug tool and reverse procedure.



Sanding

1. Use a clamp, vise or other practical means to hold your work, freeing both hands to control your tool. Firmly grasp rear handle and side handle before starting and while tool is in operation. Allow sanding disc to come to full speed before beginning to sand.
2. Hold tool at 5° to 15° angle as shown to ensure proper sanding pressure and control (Fig. 7). Too great an angle will result in too much pressure and could cause excessive wear to the disc and workpiece. Too small an angle will reduce control.



3. Use long, sweeping, side to side strokes, advancing forward to produce the desired finish.

Removing Welds or Hammer Marks

When removing welds or hammer marks, limit coarse sanding to the immediate area. Use successively finer grits to smooth surface.

Cross Sanding

When finishing a surface that has been prepared by a coarse disc or wheel, sand at right

angles to the strokes made by the coarser disc. Finishing marks left from previous sanding are easily seen and removed for a uniform finish. Failure to cross sand when changing from a coarse disc to a finishing disc may result in deep scratches and circular marks.

Finishing Metal

Constantly move across the surface. Work faster on curved surfaces where contact areas are smaller and pressure is greater. Flat areas may appear at the end of the stroke when pressure is too heavy. Ease up on pressure at end of each stroke and when reversing strokes.

Troubleshooting

Deep scratches and circular marks can result from:

- Using too coarse a grit
 - Using a partially glazed disc
 - Dirt or loose metal on the workpiece
 - Failure to sand across the grain when changing from coarse to finishing discs
- Bluish discoloration of metal surface indicates:
- Excessive heat caused by circular motion in a small area
 - Excessive pressure
 - Use of worn out or glazed discs

Selecting Sanding Discs & Grit

Refer to the table below to select the correct type of sanding disc for your job. Generally, use 16, 24 or 36 grit for heavy stock removal; 50, 60 or 80 grit for medium stock removal and 120 grit for finishing. Always begin with a coarse grit, using successively finer grits to obtain the desired finish. See Catalog for a complete list of MILWAUKEE sanding discs.

Aluminum Oxide	Aluminum Zirconia Bi-Cut	Ceramic
For fast cutting, general purpose discs for most metal jobs. Best for cold-rolled steel, stainless steel or metals requiring tough, fast cutting, long lasting abrasives.	Unique grit pattern is arranged in clusters for faster stock removal and cleaning. Ideal for removing paint from cars, boats, etc. without clogging.	Lasts up to 3 times longer than aluminum oxide discs. For general metal working. Ideal for tough jobs.

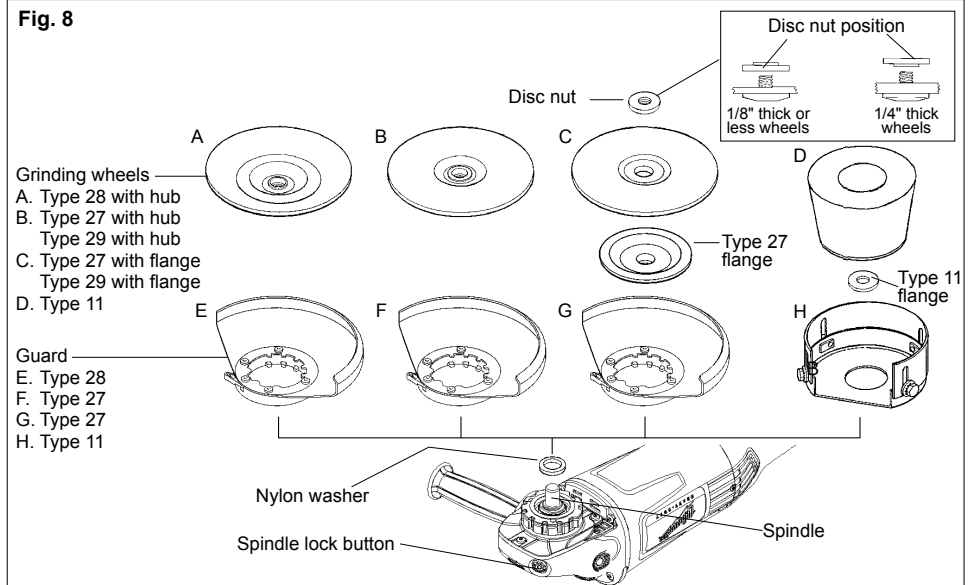
USING GRINDING AND CUT-OFF WHEELS

Installing Grinding Wheels

1. Unplug tool and place it upside down on a level surface as shown. Remove any accessories from spindle.
2. Thread nylon washer onto spindle. Attach guard and grinding wheel using Fig. 8 to determine type and order of assembly (See Fig. 2 and 3 for attaching guard). **NOTE:** When installing Type 27 or Type 29 grinding wheels, position disc nut according to wheel thickness. Position the guard in the location which offers

- best control and guard protection. For operating zones that provide maximum protection for the operator, see Fig. 9. **NOTE:** When selecting Type 11 grinding cup wheels, the guard's skirt should be adjusted so that no more than 1/8" of the wheel extends beyond the guard.
3. To tighten, press the spindle lock button while turning wheel or disc nut clockwise using the spanner wrench provided.
4. To remove grinding wheel and guard, unplug tool and reverse procedure.

Fig. 8



WARNING To reduce the risk of injury, the operator should be instructed in the use, care and protection of grinding wheels.

Care of Grinding & Cut-Off Wheels

Grinding and cut-off wheels should be protected from:

- wetness and extreme humidity
- any type of solvent
- extreme changes in temperature
- dropping and bumping

Grinding and cut-off wheels should be stored:

- in an organized way so wheels can be removed without disturbing or damaging other wheels
- with their safety information

Grinding and cut-off wheels should NOT be:

- dropped
- rolled
- bumped

If any wheel is dropped, rolled, bumped, subjected to extreme changes in temperature, or has come into contact with solvents or wetness, discard wheel immediately.

Troubleshooting

Deep scratches and circular marks can result from:

- Uneven pressure
 - Using a partially glazed wheel - especially on aluminum applications
 - Dirt or loose metal on the workpiece
 - Failure to constantly move across surface
- Bluish discoloration of metal surface indicates:
- Excessive heat caused by circular motion in a small area
 - Excessive pressure
 - Use of worn out or glazed wheels

Inspecting Wheels

Always handle wheels carefully to avoid damage.

Before installing any wheel, always inspect it for cracks. If wheel is cracked, discard it to prevent others from using it.

WARNING Only use wheels with Maximum Safe Operating Speed rated at or above the RPM listed on the “WARNING” section of the tool’s nameplate. This speed is based on the strength of the wheel, allowing for a reasonable measure of safety. It is not meant to imply a best or most efficient operating speed. Do not exceed the Maximum Safe Operating Speed.

Selecting Wheels

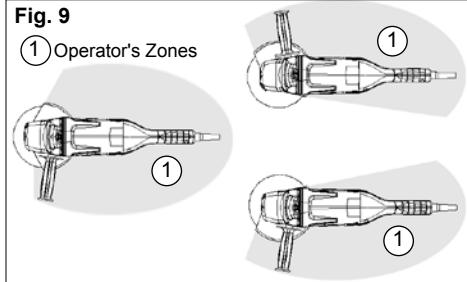
Grinding is the cutting action of thousands of abrasive grains on the face of a grinding wheel. When grinding metals such as steel and iron, choose an aluminum oxide grinding wheel. Select a silicon carbide grinding wheel for stone and concrete. Use cotton reinforced wheels for non-ferrous metals. Type 27 reinforced 1/8" cut-off wheels are suited for small cut-off and shallow notching operations only.

WARNING To reduce the risk of injury when grinding:
 •ALWAYS hold the tool firmly with both hands using the handles provided; before and during grinding
 •NEVER allow the wheel to bind
 •NEVER use a wheel that has been dropped
 •NEVER bang grinding wheel onto work
 •NEVER grind without proper safety equipment

WARNING To reduce the risk of injury when grinding, ALWAYS use the proper guard. ALWAYS properly install the guard.

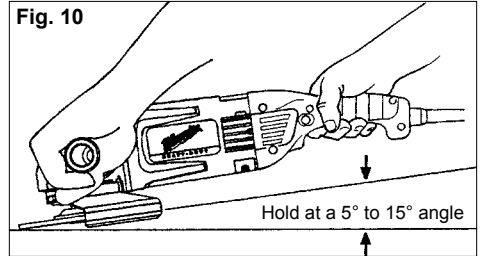
Grinding

1. Depending on your job, position the guard to provide maximum protection for the operator (Fig. 9).



2. If you have just installed a grinding wheel or are just beginning a period of work, test the wheel by letting it spin for one minute before applying it to the workpiece.
NOTE: Out-of-balance wheels can mar workpiece, damage the tool, and cause stress to wheel that may cause wheel failure.

3. Firmly grasp rear handle and side handle before starting and while using tool. Allow wheel to come to full speed before starting to grind.
4. When grinding, hold tool at a 5° to 15° angle as shown, using constant pressure for a uniform finish (Fig. 10). Too great an angle causes too much pressure on small areas which may gouge or burn work surface.



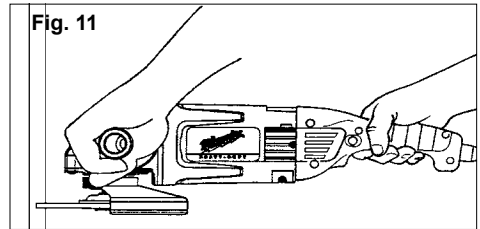
5. Control pressure and surface contact between wheel and workpiece. Too much pressure slows cutting speed.

WARNING A Type 27 guard must be installed when using a Type 27 cut-off wheel to provide maximum protection for the operator if the wheel should break.

Using Type 27 Cut-Off Wheels

Type 27 cut-off wheels are only suited for small cut-off and shallow notching operations.

1. Firmly grasp rear handle and side handle before starting and while using tool. Allow wheel to come to full speed before starting.
2. When using a cut-off wheel, hold tool as shown, using only the edge of the wheel (Fig. 11).



3. Control pressure and surface contact between wheel and workpiece. Too much pressure slows cutting speed.

WARNING A Type 1 guard must be installed when using a Type 1 cut-off wheel to provide maximum protection for the operator if the wheel should break.

Installing and Removing Type 1 Guard Assembly and Adjusting Shoe

1. Unplug tool and place it upside down on a level surface. Remove any accessories from spindle.
2. Loosen the guard screw and slip the guard over the spindle.
Position the guard in the location which offers

best control and guard protection. For operating zones that provide maximum protection for the operator, see Fig. 9. Tighten the guard screw securely.

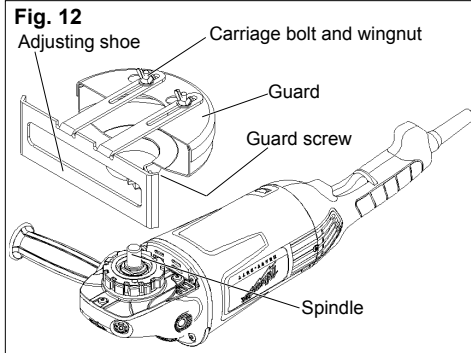
USING WIRE BRUSHES

Selecting Wire Brushes

Wire brushes are useful for removing rust, scale, burrs, weld slag, etc. A wide variety of wire brushes are available for many applications.



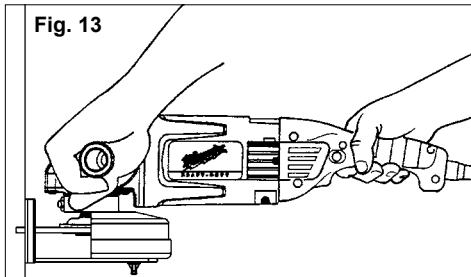
WARNING Everyone in the area must wear protective clothing and safety goggles or face shields. Fatigued wires and residue will fly off the brush with considerable force, causing the potential for serious injuries.



3. To adjust the guard, unplug the tool, loosen the guard screw, rotate the guard to the desired position and retighten the guard screw.
4. To remove the adjusting shoe, loosen the wing nuts, slide the shoe over to the access holes and lift out. To install the adjusting shoe, insert the head of the carriage bolts into guard access holes and slide the shoe over to the far edge of slots. Adjust shoe to desired position and tighten wing nuts securely.
5. To remove the guard, unplug the tool, remove the accessories and reverse the procedure.

Using Type 1 Cut-Off Wheels

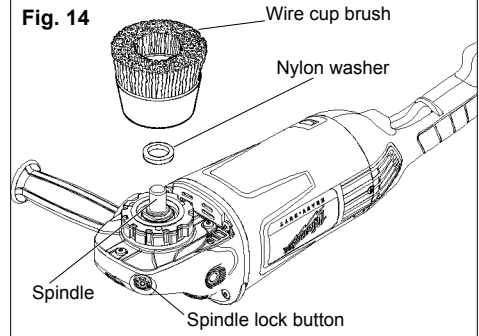
1. Firmly grasp rear handle and side handle before starting and while using tool. Allow wheel to come to full speed before starting.
2. When using a cut-off wheel, hold tool as shown, using only the edge of the wheel (Fig. 13).
3. Control pressure and surface contact between wheel and workpiece. Too much pressure slows cutting speed.



WARNING To reduce the risk of injury, never use a Type 1 cut-off wheel for surface grinding.

Installing Wire Cup Brushes

Fig. 14



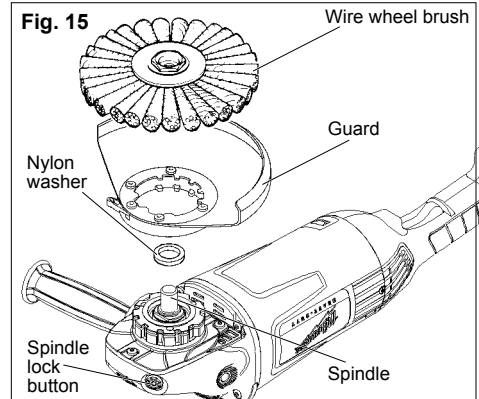
1. Unplug tool and place it upside down on a level surface. Remove any accessories from spindle.
- NOTE:** Never use a guard with a wire cup brush.
2. Thread nylon washer onto spindle. Attach wire cup brush onto spindle.
3. Press the spindle lock button while tightening brush with a wrench (not provided with tool).
4. To remove wire cup brush, unplug tool and reverse procedure.



WARNING Because the wires on wire wheel brushes are directed towards the operator, a Type 27 guard must be used to protect the operator when fatigued wires break.


Installing Wire Wheel Brushes

Fig. 15



MAINTENANCE

1. Unplug tool and place it upside down on a level surface. Remove any accessories from spindle.
2. Thread nylon washer onto spindle. Attach guard and wire wheel brush onto spindle (see Fig. 2 and 3 for attaching guard). Position the guard in the location which offers best control and guard protection. For operating zones that provide maximum protection for the operator, see Fig. 9.
3. Press the spindle lock button while tightening brush with a wrench (not provided with tool).
4. To remove wire wheel brush and guard, unplug tool and reverse procedure.


 **WARNING** To reduce the risk of injury, always unplug your tool before performing any maintenance. Never disassemble the tool or try to do any rewiring on the tool's electrical system. Contact a **MILWAUKEE** service facility for ALL repairs.

Maintaining Tools

Keep your tool in good repair by adopting a regular maintenance program. Before use, examine the general condition of your tool. Inspect guards, switches, tool cord set and extension cord for damage. Check for loose screws, misalignment, binding of moving parts, improper mounting, broken parts and any other condition that may affect its safe operation. If abnormal noise or vibration occurs, turn the tool off immediately and have the problem corrected before further use. Do not use a damaged tool. Tag damaged tools "DO NOT USE" until repaired (see "Repairs").


Under normal conditions, relubrication is not necessary until the motor brushes need to be replaced. After six months to one year, depending on use, return your tool to the nearest **MILWAUKEE** service facility for the following:

- Lubrication
- Brush inspection and replacement
- Mechanical inspection and cleaning (gears, spindles, bearings, housing, etc.)
- Electrical inspection (switch, cord, armature, etc.)
- Testing to assure proper mechanical and electrical operation

 **WARNING** Never exceed Maximum Safe Operating Speed of the brush. Do not use a damaged brush or one which is functioning improperly (throwing wires, out-of-balance, etc.). These conditions increase the possibility of further brush failure and possible injury. Discard and replace damaged brushes immediately.

Using Wire Brushes

1. Do not wear loose clothing when using wire brushes. The wires may catch on loose clothing and pull the clothing into the moving parts.
2. Firmly grasp rear handle and side handle before starting and while using tool. Always test the wire brush for balance and loose or damaged wires by running tool at no load speed for at least one minute before applying it to your work.
3. When applying brush to work, avoid using too much pressure. This causes over-bending of wires and heat build-up resulting in premature wire breakage, rapid dulling and reduced brush life. Instead of using more pressure, try a wire wheel brush with more aggressive cutting action (increased wire size, decreased wire length or different brush type, i.e. knot type instead of crimped wire type).

 **WARNING** To reduce the risk of injury, electric shock and damage to the tool, never immerse your tool in liquid or allow a liquid to flow inside the tool.

Cleaning

Clean dust and debris from vents. Keep the tool handles clean, dry and free of oil or grease. Use only mild soap and a damp cloth to clean your tool since certain cleaning agents and solvents are harmful to plastics and other insulated parts. Some of these include: gasoline, turpentine, lacquer thinner, paint thinner, chlorinated cleaning solvents, ammonia and household detergents containing ammonia. Never use flammable or combustible solvents around tools.

Repairs

If your tool is damaged, return the entire tool to the nearest service center.

ACCESSORIES

 **WARNING** To reduce the risk of injury, always unplug the tool before attaching or removing accessories. Use only specifically recommended accessories. Others may be hazardous.

For a complete listing of accessories refer to your **MILWAUKEE** Electric Tool catalog or go on-line to www.milwaukeetool.com. To obtain a catalog, contact your local distributor or a service center.

LIMITED WARRANTY - USA AND CANADA

Every **MILWAUKEE** power tool (including cordless product – tool, battery pack(s) - see separate & distinct **CORDLESS BATTERY PACK LIMITED WARRANTY** statements & battery charger and Work Lights*) is warranted to the original purchaser only to be free from defects in material and workmanship. Subject to certain exceptions, **MILWAUKEE** will repair or replace any part on an electric power tool which, after examination, is determined by **MILWAUKEE** to be defective in material or workmanship for a period of five (5) years* after the date of purchase unless otherwise noted. Return of the power tool to a **MILWAUKEE** factory Service Center location or **MILWAUKEE** Authorized Service Station, freight prepaid and insured, is required. A copy of the proof of purchase should be included with the return product. This warranty does not apply to damage that **MILWAUKEE** determines to be from repairs made or attempted by anyone other than **MILWAUKEE** authorized personnel, misuse, alterations, abuse, normal wear and tear, lack of maintenance, or accidents.

*The warranty period for, Job Site Radios, M12™ Power Port, M18™ Power Source, and Trade Titan™ Industrial Work Carts is one (1) year from the date of purchase. The warranty period for a LED Work Light and LED Upgrade Bulb is a limited LIFETIME warranty to the original purchaser only, if during normal use the LED bulb fails the Work Light or Upgrade Bulb will be replaced free of charge.

*This warranty does not cover Air Nailers & Stapler, Airless Paint Sprayer, Cordless Battery Packs, Gasoline Driven Portable Power Generators, Hand Tools, Hoist – Electric, Lever & Hand Chain, M12™ Heated Jackets, Reconditioned product and Test & Measurement products. There are separate and distinct warranties available for these products.

Warranty Registration is not necessary to obtain the applicable warranty on a **MILWAUKEE** power tool product. The manufacturing date of the product will be used to determine the warranty period if no proof of purchase is provided at the time warranty service is requested.

ACCEPTANCE OF THE EXCLUSIVE REPAIR AND REPLACEMENT REMEDIES DESCRIBED HEREIN IS A CONDITION OF THE CONTRACT FOR THE PURCHASE OF EVERY **MILWAUKEE** PRODUCT. IF YOU DO NOT AGREE TO THIS CONDITION, YOU SHOULD NOT PURCHASE THE PRODUCT. IN NO EVENT SHALL **MILWAUKEE** BE LIABLE FOR ANY INCIDENTAL, SPECIAL, CONSEQUENTIAL OR PUNITIVE DAMAGES, OR FOR ANY COSTS, ATTORNEY FEES, EXPENSES, LOSSES OR DELAYS ALLEGED TO BE AS A CONSEQUENCE OF ANY DAMAGE TO, FAILURE OF, OR DEFECT IN ANY PRODUCT INCLUDING, BUT NOT LIMITED TO, ANY CLAIMS FOR LOSS OF PROFITS. SOME STATES DO NOT ALLOW THE EXCLUSION OR LIMITATION OF INCIDENTAL OR CONSEQUENTIAL DAMAGES, SO THE ABOVE LIMITATION OR EXCLUSION MAY NOT APPLY TO YOU. THIS WARRANTY IS EXCLUSIVE AND IN LIEU OF ALL OTHER EXPRESS WARRANTIES, WRITTEN OR ORAL. TO THE EXTENT PERMITTED BY LAW, **MILWAUKEE** DISCLAIMS ANY IMPLIED WARRANTIES, INCLUDING WITHOUT LIMITATION ANY IMPLIED WARRANTY OF MERCHANTABILITY OR FITNESS FOR A PARTICULAR USE OR PURPOSE; TO THE EXTENT SUCH DISCLAIMER IS NOT PERMITTED BY LAW, SUCH IMPLIED WARRANTIES ARE LIMITED TO THE DURATION OF THE APPLICABLE EXPRESS WARRANTY AS DESCRIBED ABOVE. SOME STATES DO NOT ALLOW LIMITATIONS ON HOW LONG AN IMPLIED WARRANTY LASTS, SO THE ABOVE LIMITATION MAY NOT APPLY TO YOU, THIS WARRANTY GIVES YOU SPECIFIC LEGAL RIGHTS, AND YOU MAY ALSO HAVE OTHER RIGHTS WHICH VARY FROM STATE TO STATE. This warranty applies to product sold in the U.S.A. and Canada only.

Please consult the 'Service Center Search' in the Parts & Service section of **MILWAUKEE**'s website www.milwaukeekeetool.com or call **1.800.SAWDUST (1.800.729.3878)** to locate your nearest service facility for warranty and non-warranty service on a Milwaukee electric power tool.

LIMITED WARRANTY - MEXICO, CENTRAL AMERICA AND CARIBBEAN

TECHTRONIC INDUSTRIES' warranty is for 5 year since the original purchase date.

This warranty card covers any defect in material and workmanship on this Power Tool.

To make this warranty valid, present this warranty card, sealed/stamped by the distributor or store where you purchased the product, to the Authorized Service Center (ASC). Or, if this card has not been sealed/stamped, present the original proof of purchase to the ASC.

Call toll-free 1 800 832 1949 to find the nearest ASC, for service, parts, accessories or components.

Procedure to make this warranty valid

Take the product to the ASC, along with the warranty card sealed/stamped by the distributor or store where you purchased the product, and there any faulty piece or component will be replaced without cost for you. We will cover all freight costs relative with this warranty process.

Exceptions

This warranty is not valid in the following situations:

- When the product is used in a different manners from the end-user guide or instruction manual.
- When the conditions of use are not normal.
- When the product was modified or repaired by people not authorized by TECHTRONIC INDUSTRIES.

Note: If cord set is damaged, it should be replaced by an Authorized Service Center to avoid electric risks.

Model: _____

Date of Purchase: _____

Distributor or Store Stamp: _____

SERVICE AND ATTENTION CENTER
Av Presidente Mazarik 29 Piso 7, 11570 Chapultepec Morales
Miguel Hidalgo, Distrito Federal, Mexico
Ph. 52 55 4160-3547

IMPORTED AND COMMERCIALIZED BY:
TECHTRONIC INDUSTRIES MEXICO, S.A. DE C.V.
Av Presidente Mazarik 29 Piso 7, 11570 Chapultepec Morales
Miguel Hidalgo, Distrito Federal, Mexico

RÈGLES DE SÉCURITÉ GÉNÉRALES RELATIVES AUX OUTILS ÉLECTRIQUES

⚠ AVERTISSEMENT LIRE TOUTES LES RÈGLES ET INSTRUCTIONS DE SÉCURITÉ.
Ne pas suivre l'ensemble des règles et instructions peut entraîner une électrocution, un incendie ou des blessures graves. **Conserver les règles et les instructions à des fins de référence ultérieure.** Le terme «outil électrique» figurant dans les avertissements ci-dessous renvoie à l'outil électrique à alimentation par le réseau (à cordon) ou par batterie (sans fil).

SÉCURITÉ DU LIEU DE TRAVAIL

- Maintenir la zone de travail propre et bien éclairée. Les zones encombrées ou mal éclairées sont favorables aux accidents.
- Ne pas utiliser d'outil électrique dans une atmosphère explosive, telle qu'en en présence de liquides, de gaz ou de poussières inflammables. Les outils électriques génèrent des étincelles qui peuvent enflammer les poussières ou les fumées.
- Tenir les enfants et les personnes non autorisées à l'écart pendant le fonctionnement d'un outil électrique. Un manque d'attention de l'opérateur risque de lui faire perdre le contrôle de l'outil.

SÉCURITÉ ÉLECTRIQUE

- La fiche de l'outil électrique doit correspondre à la prise d'alimentation. Ne jamais modifier la fiche d'une manière quelconque. Ne pas utiliser d'adaptateur avec les outils électriques mis à la terre (à la masse). Des fiches non modifiées et des prises d'alimentation assorties réduisent le risque de choc électrique.
- Éviter tout contact corporel avec des surfaces reliées à la masse ou à la terre telles que tuyaux, radiateurs, cuisinières et réfrigérateurs. Un risque de choc électrique plus élevé existe si le corps est relié à la masse ou à la terre.
- Ne pas exposer les outils électriques à la pluie ou à l'humidité. Le risque de choc électrique augmente si de l'eau s'infiltré dans un outil électrique.
- Prendre soin du cordon. Ne jamais utiliser le cordon pour transporter, tirer ou débrancher l'outil électrique. Tenir le cordon à l'écart de la chaleur, des huiles, des arêtes coupantes ou des pièces en mouvement. Un cordon endommagé ou emmêlé présente un risque accru de choc électrique.
- Se procurer un cordon d'alimentation approprié en cas d'utilisation d'un outil électrique à l'extérieur. L'utilisation d'un cordon d'alimentation pour usage extérieur réduit le risque de choc électrique.
- S'il est nécessaire d'utiliser l'outil électrique dans un endroit humide, installer un appareil à courant résiduel (RCD). L'utilisation d'un RCD réduit le risque de décharge électrique.

SÉCURITÉ INDIVIDUELLE

- Être sur ses gardes, être attentif et faire preuve de bon sens en utilisant un outil électrique. Ne pas utiliser un outil électrique en cas de fatigue ou sous l'influence de drogues, d'alcool ou de médicaments. Un instant d'inattention lors de l'utilisation d'un outil électrique peut entraîner des blessures graves.

- Porter l'équipement de protection requis. Toujours porter une protection oculaire. Selon les conditions, porter aussi un masque anti-poussières, des bottes de sécurité antidérapantes, un casque protecteur ou une protection auditive afin de réduire les blessures.
- Empêcher les démarrages accidentels. S'assurer que la gâchette est en position d'arrêt avant de brancher l'outil à une source de courant, d'insérer la batterie, de le ramasser ou de le transporter. Le fait de transporter l'outil en gardant le doigt sur la gâchette ou de le brancher lorsque la gâchette est en position de marche favorise les accidents.
- Retirer toute clé de réglage avant de mettre l'outil sous tension. Une clé laissée attachée sur une pièce mobile de l'outil électrique peut entraîner des blessures.
- Ne pas travailler à bout de bras. Bien garder un bon équilibre à tout instant. Ceci permet de mieux préserver la maîtrise de l'outil électrique dans des situations imprévues.
- Porter des vêtements adéquats. Ne pas porter de vêtements amples ni de bijoux. Ne pas approcher les cheveux, vêtements et gants des pièces en mouvement. Les vêtements amples, les bijoux ou les cheveux longs risquent d'être happés par les pièces en mouvement.
- Si des dispositifs sont prévus pour l'extraction et la récupération des poussières, vérifier qu'ils sont connectés et utilisés correctement. L'utilisation de ces dispositifs peut réduire les risques liés aux poussières.

UTILISATION ET ENTRETIEN DE L'OUTIL ÉLECTRIQUE

- Ne pas forcer l'outil électrique. Utiliser l'outil électrique approprié à l'application considérée. L'outil électrique adapté au projet considéré produira de meilleurs résultats, dans des conditions de sécurité meilleures, à la vitesse pour laquelle il a été conçu.
- Ne pas utiliser l'outil électrique si le commutateur ne le met pas sous ou hors tension. Tout outil électrique dont le commutateur de marche-arrêt est inopérant est dangereux et doit être réparé.
- Débrancher la fiche de la prise d'alimentation et/ou la batterie de l'outil électrique avant d'effectuer des réglages, de changer d'accessoires ou de ranger l'outil. De telles mesures de sécurité préventive réduisent le risque de mettre l'outil en marche accidentellement.
- Ranger les outils électriques inutilisés hors de la portée des enfants et ne pas laisser des personnes qui connaissent mal les outils électriques ou ces instructions utiliser ces outils. Les

outils électriques sont dangereux dans les mains d'utilisateurs non formés à leur usage.

- **Entretien des outils électriques. S'assurer de l'absence de tout désalignement ou de grippage des pièces mobiles, de toute rupture de pièce ou de toute autre condition qui pourrait affecter le bon fonctionnement de l'outil électrique. En cas de dommages, faire réparer l'outil avant de l'utiliser de nouveau.** Les outils électriques mal entretenus sont à la source de nombreux accidents.
- **Garder les outils de coupe affûtés et propres.** Les outils de coupe correctement entretenus et bien affûtés risquent moins de se gripper et sont plus faciles à manier.
- **Utiliser l'outil électrique, les accessoires, les grains etc. conformément à ces instructions en tenant compte des conditions de travail et de la tâche à effectuer.** L'utilisation de cet outil électrique pour effectuer une opération pour laquelle il n'est pas conçu peut occasionner une situation dangereuse.

ENTRETIEN

- **Faire effectuer l'entretien de l'outil électrique par un technicien qualifié qui n'utilisera que des pièces de rechange identiques.** La sécurité d'utilisation de l'outil en sera préservée.

RÈGLES DE SÉCURITÉ SPÉCIFIQUES

Règles de sécurité générales pour le meulage des pièces, le nettoyage à l'aide d'une brosse métallique ou le découpage à l'abrasif :

- **Cet outil électrique est conçu pour servir de meuleuse, ponceuse, brosse métallique ou d'outil à tronçonner. Consulter tous les avertissements et toutes les instructions, les illustrations et les précisions fournis avec cet outil électrique.** Ne pas suivre l'ensemble des instructions décrites ci-dessous peut entraîner une électrocution, un incendie ou des blessures graves.
- **Il n'est pas recommandé d'utiliser cet outil électrique pour polir des pièces.** Le fait d'utiliser l'outil pour effectuer des tâches pour lesquelles il n'est pas conçu peut présenter du danger et entraîner des blessures.
- **Ne pas utiliser des accessoires qui ne sont pas spécialement conçus et recommandés par le fabricant.** Le simple fait qu'un accessoire peut s'ajuster sur l'outil électrique ne signifie pas qu'il peut être utilisé en toute sécurité.
- **La vitesse nominale de l'accessoire doit au moins être égale à la vitesse maximale indiquée sur l'outil électrique.** Les accessoires qui sont utilisés à une vitesse supérieure à leur VITESSE NOMINALE peuvent se briser et se détacher.
- **Le diamètre extérieur et l'épaisseur de l'accessoire doivent être conformes à la capacité de l'outil électrique.** Il est impossible d'envelopper ou de contrôler adéquatement un accessoire de dimension inappropriée.
La taille de l'arbre des meules, des brides, des plateaux porte-disque ou de tout autre accessoire doit convenir parfaitement à la broche de l'outil

électrique. Si les accessoires utilisés sont dotés d'alésages centraux qui ne conviennent pas à la pièce de montage de l'outil, ils se déstabiliseront, vibreront de façon excessive et pourront causer une perte de contrôle.

- **Ne pas utiliser un accessoire endommagé. Inspecter l'accessoire avant chaque utilisation afin de s'assurer que les meules, par exemple, sont exemptes d'ébréchantures et de fissures, que le plateau porte-disque est exempt de fissures et qu'il n'est pas usé de façon excessive, et que la brosse métallique ne comprend pas de fils détachés ou craquelés. Si l'outil électrique ou l'accessoire est échappé, s'assurer qu'il n'est pas endommagé ou installer un autre accessoire. Après avoir effectué cette opération, se tenir à distance de l'accessoire en rotation et faire fonctionner l'outil à sa vitesse à vide maximale pendant une minute. S'assurer que personne ne se tient à proximité de l'outil.** Les accessoires endommagés se brisent généralement lors de cette vérification.
- **Porter de l'équipement de protection individuelle. Selon le type d'opération, porter un masque de protection ou des lunettes de sécurité. Au besoin, porter également un masque anti-poussières, un protecteur d'oreille, des gants et un tablier d'atelier résistant aux petits fragments abrasifs ou aux fragments provenant des pièces à travailler. La protection oculaire utilisée doit résister aux débris projetés lors des différentes opérations. La protection oculaire utilisée doit résister aux débris projetés lors des différentes opérations. Le masque anti-poussières et le masque filtrant doivent filtrer les particules produites lors de l'opération. Une exposition prolongée à un bruit fort peut entraîner une perte auditive.**
- **S'assurer que personne ne se tient à proximité du lieu de travail. Toute personne qui entre sur le lieu de travail doit porter l'équipement de protection individuelle requis.** Des fragments provenant de la pièce à travailler ou d'un accessoire brisé peuvent être projetés et causer des blessures, même à des personnes se tenant à une certaine distance du lieu de travail immédiat.
- **Lorsque l'outil est utilisé pour un travail risquant de mettre l'accessoire de coupe en contact avec des fils électriques cachés, le tenir par les surfaces de prise isolées uniquement.** Le contact d'un accessoire de coupe avec un fil sous tension « électrifié » les pièces métalliques exposées de l'outil et peut électrocuter l'utilisateur.
- **Tenir le cordon loin de l'accessoire en rotation.** En cas de perte de contrôle, le cordon peut être coupé ou accroché, et la main ou le bras de l'utilisateur risquent d'entrer en contact avec l'accessoire en rotation.
- **Ne jamais déposer l'outil électrique avant l'arrêt complet de l'accessoire.** L'accessoire en rotation peut attraper la surface et occasionner une perte de contrôle.
- **Ne jamais laisser l'outil électrique fonctionner en le transportant à ses côtés.** L'accessoire en rotation peut s'accrocher accidentellement aux vêtements et entrer en contact avec l'utilisateur.

• **Nettoyer régulièrement les événements d'aération de l'outil électrique.** Le ventilateur du moteur aspire la poussière dans le logement et crée une accumulation excessive de métal fritté, ce qui peut causer un danger électrique.

• **Ne pas faire fonctionner l'outil électrique à proximité de matériaux inflammables.** Les étincelles peuvent enflammer ces matériaux.

• **Ne pas utiliser d'accessoires qui nécessitent des liquides de refroidissement.** L'utilisation d'eau ou d'un autre liquide de refroidissement peut entraîner une électrocution ou un choc électrique.

REMARQUE L'avertissement ci-dessus ne s'applique pas aux outils électriques spécifiquement conçus pour être utilisés avec un système de liquide.

rebonds et avertissements connexes

-au pincement ou à l'accrochage de la meule, du plateau porte-disque, de la brosse ou de tout autre accessoire en rotation. Un pincement ou un accrochage provoque le blocage immédiat de l'accessoire en rotation qui, à son tour, entraîne l'outil incontrôlé dans le sens opposé à la rotation de l'accessoire, à l'endroit du coincement.

-Par exemple, si une meule abrasive est accrochée ou pincée par la pièce à travailler, le rebord de la meule qui entre dans le point de pincement peut s'enfoncer dans la surface du matériau, éjectant la meule ou la faisant rebondir. La meule peut sauter vers l'utilisateur ou loin de lui, selon le sens du mouvement de la meule au point de pincement. Dans ces conditions d'utilisation, les meules abrasives peuvent également se briser.

-Un rebond est attribuable à une mauvaise utilisation de l'outil ou au non-respect des procédures ou des conditions d'utilisation. Pour empêcher les rebonds, respecter les directives décrites ci-dessous.

• Tenir fermement l'outil électrique et placer le corps et les mains de manière à pouvoir résister aux rebonds. **Toujours utiliser la poignée auxiliaire, s'il y en a une, pour assurer un contrôle optimal en cas de rebond ou de réaction de couple lors du démarrage de l'outil.** L'utilisateur peut contrôler les rebonds et les réactions de couple s'il respecte les directives prescrites.

• **Ne jamais placer les mains à proximité de l'accessoire en rotation.** En cas de rebond, l'accessoire peut dévier sur celles-ci.

• **Ne pas positionner le corps à l'endroit où sera entraîné l'outil électrique si un rebond se produit.** Un rebond entraînera l'outil dans le sens opposé au mouvement de la meule, à l'endroit de l'accrochage.

• **Faire preuve d'une extrême prudence au moment d'utiliser l'outil sur des coins ou des rebords tranchants.** Les coins, les rebords tranchants et les surfaces qui tressautent ont tendance à s'accrocher à la pièce en rotation et à causer une perte de contrôle ou des rebonds.

• **Ne pas fixer une lame de sculpteur pour scie à chaîne ou une lame de scie dentée.** Ces deux types de lame occasionnent de nombreux rebonds et des pertes de contrôle fréquentes.

Règles de sécurité spécifiques pour le meulage des pièces et le découpage à l'abrasif :

• Utiliser seulement les types de meule recommandés pour cet outil électrique et le garde-meule spécialement conçu pour la meule utilisée. Il est impossible d'envelopper de façon adéquate et sécuritaire les meules qui ne sont pas spécialement conçues pour l'outil électrique.

• Le garde-meule doit être fixé solidement à l'outil électrique et positionné de manière à garantir une sécurité optimale; il importe donc de diriger le moins possible la meule vers l'utilisateur. La garde aide à protéger l'opérateur des fragments de meule brisés et d'un contact accidentel avec la meule ainsi que des étincelles pouvant enflammer les vêtements.

REMARQUE L'avertissement ci-dessus peut être ignoré pour les meuleuses ou meules de tronçonnage d'une capacité nominale inférieure à 55 mm.

• **Utiliser seulement les meules pour effectuer des opérations pour lesquelles elles sont conçues. Par exemple : ne pas meuler avec le côté d'une meule à tronçonner.** Seule la périphérie des meules à tronçonner abrasives doit être utilisée pour le meulage. Le fait d'appliquer une force latérale sur ces meules peut provoquer leur éclatement.

• **Toujours utiliser des brides de meule non endommagées de formes et de dimensions convenables pour la meule choisie.** Les brides de meule adéquates soutiennent la meule, ce qui minimise les risques de bris de celle-ci. Les brides de meules à tronçonner peuvent différer des brides de meules standards.

• **Ne pas utiliser de meules usées qui proviennent d'outils électriques de plus grandes dimensions.** Les meules conçues pour des outils électriques de plus grandes dimensions ne conviennent pas à la vitesse plus élevée des outils de plus petites dimensions et peuvent éclater.

Règles de sécurité supplémentaires spécifiques pour le découpage à l'abrasif :

• **S'assurer que la meule à tronçonner ne se coince pas et éviter d'appliquer trop de pression. Ne pas régler la meule à une profondeur de coupe excessive.** Le fait d'appliquer trop de pression sur la meule augmente la charge, la tendance de la meule à se tordre ou à se coincer pendant la coupe, ainsi que les risques de rebond ou de bris de la meule.

• **Ne pas se tenir vis-à-vis de la meule en rotation ou derrière celle-ci.** Pendant l'opération, lorsque la meule s'éloigne de l'utilisateur, un rebond pouvant projeter la meule en rotation et l'outil électrique directement vers l'utilisateur peut se produire.

• Si la meule se coince ou si l'opération de coupe est interrompue pour une raison quelconque, éteindre l'outil électrique et le maintenir immobile jusqu'à ce que la meule s'arrête complètement. **N jamais essayer de retirer la meule à tronçonner de la coupe quand la meule est en mouvement, car ceci pourrait provoquer un rebond.** Déterminer et éliminer la cause du blocage de la meule.

• **Ne pas remettre en marche l'outil si celui-ci est dans la pièce à travailler. Permettre à la meule d'atteindre sa vitesse maximale puis la réinsérer dans le trait de coupe avec précaution.** La meule risque de se coincer, de se soulever ou de rebondir

si cette précaution n'est pas prise.

•Soutenir les panneaux ainsi que toute pièce à travailler surdimensionnée afin de minimiser les risques de pincement et de rebond de la meule.

Les pièces à travailler de grandes dimensions ont tendance à fléchir sous leur propre poids. Il importe donc de disposer des supports sous la pièce à travailler, près du trait de coupe ainsi que du rebord de la pièce à travailler, des deux côtés de la meule.

•Redoubler de prudence lors de la découpe d'évidements dans des cloisons existantes ou autres endroits sans visibilité arrière. La meule sortante peut couper les conduites d'eau ou de gaz, le câblage électrique, ainsi que tout autre objet pouvant provoquer un rebond.

Règles de sécurité spécifiques pour le ponçage :

•Ne pas utiliser un papier pour disque abrasif surdimensionné. Suivre les recommandations du fabricant au moment de choisir le papier abrasif. Un papier abrasif qui excède la surface du disque de ponçage présente un danger de lacération et peut s'accrocher, se déchirer, ou entraîner un rebond.

Règles de sécurité spécifiques pour le broissage métallique :

•Porter une attention particulière à la brosse métallique, dont les poils peuvent être projetés même pendant une opération régulière. Éviter de surcharger les poils en appuyant sur la brosse de manière excessive. Les poils de la brosse métallique peuvent pénétrer facilement dans les vêtements léger ou la peau.

•S'il est recommandé d'installer un dispositif protecteur pour utiliser une brosse métallique, s'assurer qu'il n'entre pas en contact avec la brosse. Le diamètre de la brosse métallique peut augmenter en raison de la charge et de la force centrifuge.

•Entretenez les étiquettes et marques de fabricant. Les indications qu'elles contiennent sont précieuses. Si elles deviennent illisibles ou se détachent, faites-les remplacer gratuitement à un centre de service **MILWAUKEE** accrédité.

•AVERTISSEMENT: La poussière de gage par perçage, sclage, perçage et autres travaux de construction contient des substances chimiques reconnues comme pouvant causer le cancer, des malformations congénitales ou d'autres troubles de reproduction. Voici quelques exemples de telles substances :

- Le plomb contenu dans la peinture au plomb.
- Le silice cristallin contenu dans la brique, le béton et divers produits de maçonnerie.
- L'arsenic et le chrome servant au traitement chimique du bois.

Le risque associés à l'exposition à ces substances varient, dépendant de la fréquence des travaux. Afin de minimiser l'exposition à ces substances chimiques, assurez-vous de travailler dans un endroit bien aéré et d'utiliser de l'équipement de sécurité tel un masque antipoussière spécifiquement conçu pour la filtration de particules microscopiques.

SPÉCIFICATIONS

No de Cat.	Volts	A	T/Min. à vide	Dimension Pivot	Dimension Meule
6088-30	120 CA/CD	15	6 000	5/8"-11	178/229 mm 7"/9"
6088-31	120 CA/CD	15	6 000	5/8"-11	178/229 mm 7"/9"
6089-30	120 CA/CD	15	6 000	5/8"-11	178/229 mm 7"/9"
6089-31	120 CA/CD	15	6 000	5/8"-11	178/229 mm 7"/9"

CORDONS DE RALLONGE

Si l'emploi d'un cordon de rallonge est nécessaire, un cordon à trois fils doit être employé pour les outils mis à la terre. Pour les outils à double isolation, on peut employer indifféremment un cordon de rallonge à deux ou trois fils. Plus la longueur du cordon entre l'outil et la prise de courant est grande, plus le calibre du cordon doit être élevé. L'utilisation d'un cordon de rallonge incorrectement calibré entraîne une chute de voltage résultant en une perte de puissance qui risque de détériorer l'outil. Reportez-vous au tableau ci-contre pour déterminer le calibre minimum du cordon. Moins le calibre du fil est élevé, plus sa conductivité est bonne. Par exemple, un cordon de calibre 14 a une meilleure conductivité qu'un cordon de calibre 16. Lorsque vous utilisez plus d'une rallonge pour couvrir la distance, assurez-vous que chaque cordon possède le calibre minimum requis. Si vous utilisez un seul cordon pour brancher plusieurs outils, additionnez le chiffre d'intensité (ampères) inscrit sur la fiche signalétique de chaque outil pour obtenir le calibre minimal requis pour le cordon.

Directives pour l'emploi des cordons de rallonge

- Si vous utilisez une rallonge à l'extérieur, assurez-vous qu'elle est marquée des sigles « W-A » (« W » au Canada) indiquant qu'elle est adéquate pour usage extérieur.
- Assurez-vous que le cordon de rallonge est correctement câblé et en bonne condition. Remplacez tout cordon de rallonge détérioré ou faites-le remettre en état par une personne compétente avant de vous en servir.
- Tenez votre cordon de rallonge à l'écart des objets rancants, des sources de grande chaleur et des endroits humides ou mouillés.

Calibres minimaux recommandés pour les cordons de rallonge*

Fiche signalétique Ampères	Longueur du cordon de rallonge (m)					
	7,6	12,2	22,8	30,4	45,7	60,9
0 - 5,0	16	16	16	14	12	12
5,1 - 8,0	16	16	14	12	10	--
8,1 - 12,0	14	14	12	10	--	--
12,1 - 15,0	12	12	10	10	--	--
15,1 - 20,0	10	10	10	--	--	--

* Basé sur sur une chute de voltage limite de 5 volts à 150% de l'intensité moyenne de courant.

LISEZ ATTENTIVEMENT CES INSTRUCTIONS ET CONSERVEZ-LES POUR LES CONSULTER AU BESOIN.

MISE A LA TERRE



AVERTISSEMENT Si le fil de mise à la terre est incorrectement raccordé, il peut en résulter des risques de choc électrique. Si vous n'êtes pas certain que la prise dont vous vous servez est correctement mise à la terre, faites-la vérifier par un électricien. N'altérez pas la fiche du cordon de l'outil. N'enlevez pas de la fiche, la dent qui sert à la mise à la terre. N'employez pas l'outil si le cordon ou la fiche sont en mauvais état. Si tel est le cas, faites-les réparer dans un centre-service **MILWAUKEE** accrédité avant de vous en servir. Si la fiche du cordon ne s'adapte pas à la prise, faites remplacer la prise par un électricien.

conformément aux codes et ordonnances en vigueur. La fiche du cordon et la prise de courant doivent être semblables à celles de la Figure A.

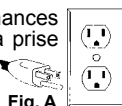


Fig. A

Outils à double isolation : Outils pourvus d'une fiche de cordon à trois dents
Les outils marqués « Double Isolation » n'ont pas besoin d'être raccordés à la terre. Ils sont pourvus d'une double isolation conforme aux exigences de l'OSHA et satisfont aux normes de l'Underwriters Laboratories, Inc., de l'Association canadienne de normalisation (ACNOR) et du « National Electrical Code » (code national de l'électricité). Les outils à double isolation peuvent être branchés sur n'importe laquelle des prises à 120 volt illustrées ci-contre Figure B et C.

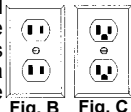


Fig. B

Fig. C

Outils mis à la terre : Outils pourvus d'une fiche de cordon à trois dents

Les outils marqués « Mise à la terre requise » sont pourvus d'un cordon à trois fils dont la fiche a trois dents. La fiche du cordon doit être branchée sur une prise correctement mise à la terre (voir Figure A). De cette façon, si une déféctuosité dans le circuit électrique de l'outil survient, le relais à la terre fournira un conducteur à faible résistance pour décharger le courant et protéger l'utilisateur contre les risques de choc électrique.

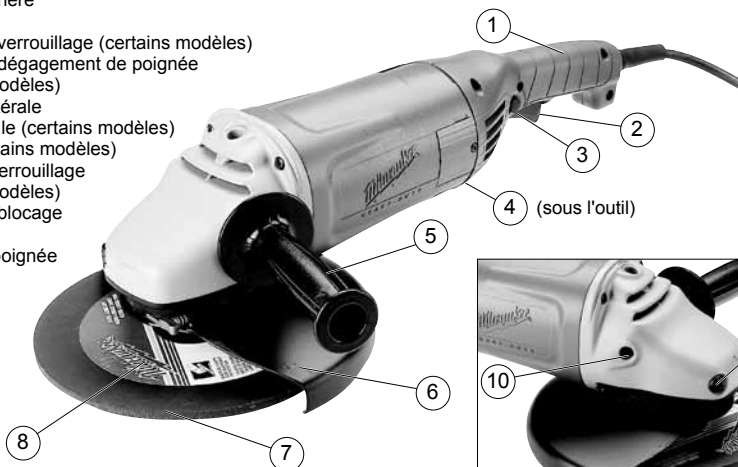
La dent de mise à la terre de la fiche est reliée au système de mise à la terre de l'outil via le fil vert du cordon. Le fil vert du cordon doit être le seul fil raccordé à un bout au système de mise à la terre de l'outil et son autre extrémité ne doit jamais être raccordée à une borne sous tension électrique. Votre outil doit être branché sur une prise appropriée, correctement installée et mise à la terre

PICTOGRAPHIE

	Double Isolation
	Ampères
	Volts
	Courant alternatif ou direct
$n^{\circ} \text{xxxxmin.}^{-1}$	Tours-minute à vide (RPM)
	Underwriters Laboratories, Inc. États-Unis et Canada
	Los estándares mexicanos de la seguridad

DESCRIPTION FONCTIONNELLE

- Poignée arrière
- Détente
- Bouton de verrouillage (certains modèles)
- Bouton de dégagement de poignée (certains modèles)
- Poignée latérale
- Garde-meule (certains modèles)
- Meule (certains modèles)
- Lever de verrouillage (certains modèles)
- Bouton de blocage du pivot
- Cavité de poignée latérale

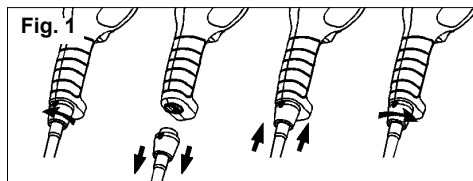


MONTAGE DE L'OUTIL

AVERTISSEMENT Pour minimiser les risques de blessures, débranchez toujours l'outil avant d'y faire des réglages, d'y attacher ou d'en enlever les accessoires. L'usage d'accessoires autres que ceux qui sont spécifiquement recommandés pour cet outil peut comporter des risques.

Retrait et remplacement du cordon Quik-Lok® Certains Modèles

Les cordons Quik-Lok® exclusifs à MILWAUKEE permettent d'installer le cordon ou de le remplacer sur place en un tournemain.



1. Pour retirer le cordon Quik-Lok®, tournez l'écrou du cordon 1/4 de tour vers la gauche et retirez-le.
2. Pour remettre le cordon en place, alignez les rainures à clavettes du connecteur et poussez le connecteur aussi loin que possible. Tournez ensuite l'écrou du cordon 1/4 de tour vers la droite pour le verrouiller.

Pose de la poignée latérale

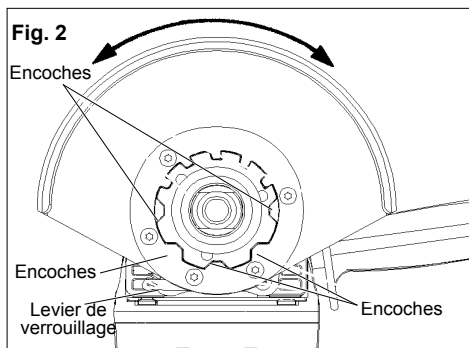
La poignée latérale peut être installée sur le dessus ou sur l'un ou l'autre des côtés de la boîte d'engrenages pour usage gaucher ou droitier. Placez la poignée sur le côté offrant la meilleure maîtrise de l'outil et la meilleure protection du garde-meule. Pour connaître la position offrant la meilleure protection, consultez la vignette Fig. 9. Vissez la poignée dans la cavité filetée sur le côté de l'outil et serrez-la à fond.

AVERTISSEMENT Afin de réduire le risque de blessures au cours du meulage, employez toujours. Le garde approprié et installez-le correctement.

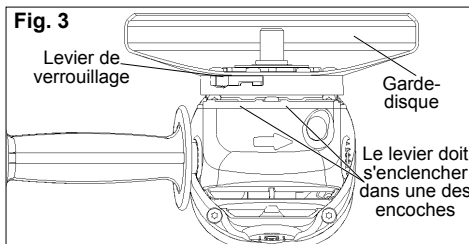
Installation, réglage et retrait du garde-meule Certains Modèles

Le garde-meule doit être utilisé lorsque l'outil sert de rectifieuse. Lorsque l'outil est employé comme ponceuse, il faut retirer le garde-meule.

1. Pour installer le garde-meule, débranchez l'outil et placez-le à l'envers sur une surface plane. Enlevez du pivot tous les accessoires. Alignez les pattes sur les encoches (Fig. 2). Ensuite, appuyez sur le garde-meule pour le fixer en place.



2. Appuyez sur le levier de verrouillage et faites tourner le garde-meule vers une des encoches (Fig. 3).



2. Pour régler la position du garde-meule, appuyez sur le levier de verrouillage et faites tourner le garde vers une des encoches pour la position choisie (Fig. 3). Placez le garde-meule à la position offrant la meilleure maîtrise et la meilleure protection. Pour connaître la position offrant la meilleure protection, consultez la vignette Fig. 9.
3. Pour retirer le garde-meule, débranchez l'outil et placez-le à l'envers sur une surface plane. Appuyez sur le levier de verrouillage et faites tourner le garde-meule pour aligner les pattes sur les encoches (Fig. 2). Ensuite, relevez le garde et écartez-le de l'outil.

MANIEMENT

AVERTISSEMENT Pour minimiser les risques de blessures, portez des lunettes à coques latérales.

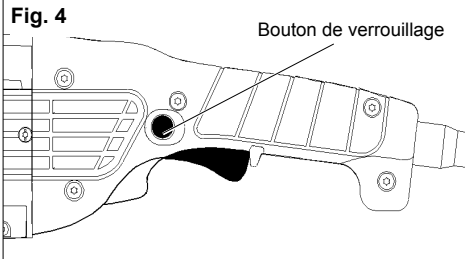
Démarrage et arrêt du moteur

1. Pour mettre l'outil en marche, appuyez sur la détente.
2. Pour arrêter l'outil, relâchez la détente.

AVERTISSEMENT Pour minimiser les risques de blessures, n'employez pas le bouton de déverrouillage du pivot pour freiner la rotation de l'outil tandis qu'il est en usage ou qu'il tourne sur son axe.

Verrouillage de la détente Certains Modèles

Le bouton de verrouillage placé à côté de la détente sert à maintenir la détente en position de marche « ON » pour la rotation interrompre à plein régime.

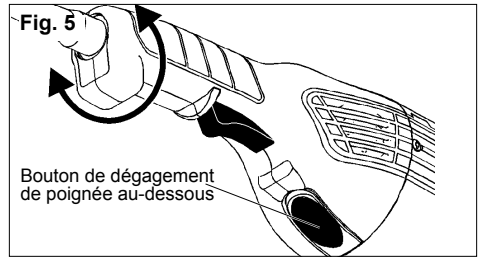


1. Pour verrouiller la détente, enfoncez le bouton de verrouillage tout en appuyant sur la détente. Relâchez la détente.
2. Pour déverrouiller la détente, enfoncez et relâchez la détente.

AVERTISSEMENT Pour minimiser les risques de blessures, n'utilisez pas l'outil alors que le bouton de déverrouillage de la poignée est enfoncé ou que celle-ci n'est pas enclenchée correctement. Si la poignée ne se verrouille pas correctement en place, n'utilisez pas l'outil. Retournez-le immédiatement à un centre-service MILWAUKEE accrédité pour le faire réparer.

Positionnement de la poignée (Certains Modèles)

Cet outil est pourvu d'une poignée arrière réglable. Cette caractéristique permet à l'utilisateur d'ajuster la poignée aux angles de meulage les plus efficaces.



1. Débranchez l'outil.
2. Enfoncez le bouton de déverrouillage de poignée et maintenez-le tandis que vous ferez tourner la poignée arrière à l'une des neuf positions de réglage. Le dispositif de réglage de poignée est pourvu de positionneurs qui permettent l'enclenchement de la poignée à la position désirée. Assurez-vous que la poignée est fermement enclenchée avant d'utiliser l'outil. Placez le garde-meule à la position offrant la meilleure maîtrise et la meilleure protection. Pour connaître la position offrant la meilleure protection, consultez la vignette Fig. 9.

AVERTISSEMENT Pour minimiser les risques de blessures corporelles et dommage à l'outil, n'employez que des accessoires d'un calibre (t/min.) égal ou supérieur à celui qui est indiqué sur la fiche signalétique de l'outil.

Sélection des disques abrasifs et des meules

Utilisez des disques abrasifs et des meules qui sont :

- du calibre adéquat tel qu'indiqué sur la fiche signalétique de l'outil.

- du genre et de la texture adéquats pour la tâche.
- d'un calibre (t/min.) égal ou supérieur à celui qui est indiqué sur la fiche signalétique de l'outil.

Utilisez des disques d'appui, adaptateurs et autres accessoires qui sont :

- de la bonne dimension pour l'outil, le disque abrasif ou la meule.
- d'un calibre (t/min.) égal ou supérieur à celui qui est indiqué sur la fiche signalétique de l'outil.
- l'accessoire approprié à la tâche.

Composants des disques abrasifs et des meules

Les disques abrasifs et les meules sont faits de divers matériaux et conçus pour des tâches variées. Assurez-vous de choisir le disque ou la meule appropriés au travail que vous vous proposez de faire.

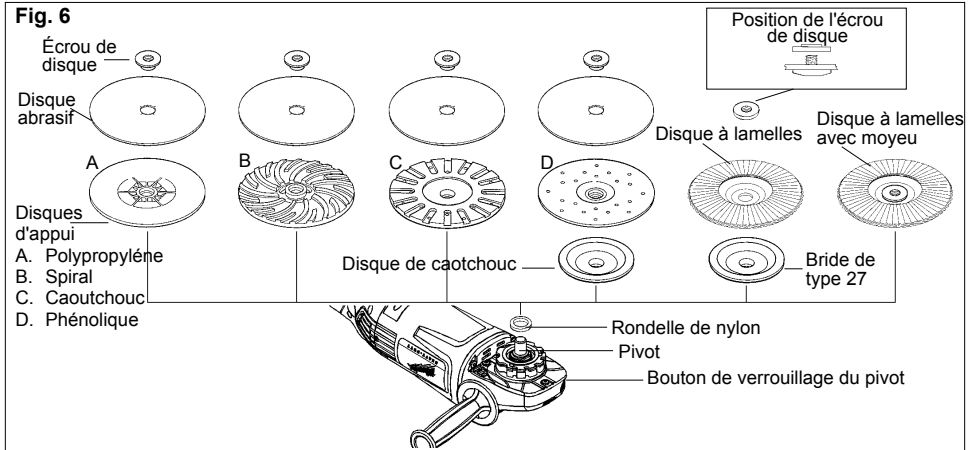
AVERTISSEMENT Pour minimiser les risques de blessures, débranchez toujours l'outil avant d'y faire des réglages, d'y attacher ou d'enlever les accessoires. L'usage d'accessoires autres que ceux qui sont spécifiquement recommandés pour cet outil peut comporter des risques.

UTILISATION DES DISQUES ABRASIFS

Installation du disque d'appui et du disque abrasif

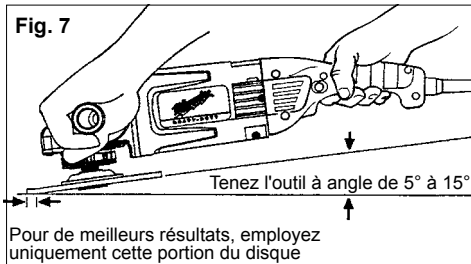
1. Débranchez l'outil et placez-le à l'envers sur une surface unie, tel qu'indiqué. Retirez les accessoires du pivot.
2. Vissez la rondelle de nylon sur le pivot. Installez le disque d'appui et le disque abrasif en vous guidant sur la vignette (Fig. 6) pour déterminer le mode et l'ordre de montage. **N.B.** Lorsque

- vous installez un disque à lamelles sans moyeu, positionnez l'écrou de disque sur la vignette.
3. Pour serrer, appuyez sur le bouton de blocage du pivot pendant que vous visserez l'écrou (sens horaire).
4. Pour retirer le disque d'appui et le disque abrasif, débranchez l'outil et inversez le procédé.



Ponçage

1. Maintenez le matériau à poncer avec une fixation, un étau ou par d'autres moyens afin de libérer vos deux mains pour le contrôle de l'outil. Empoignez fermement la poignée arrière et la poignée latérale avant et après le démarrage. Laissez le disque abrasif atteindre son plein régime avant de commencer à poncer.
2. Tenez la ponceuse-rectifieuse à un angle de 5° à 15°, tel qu'indiqué, afin d'assurer la pression de ponçage et le contrôle de l'outil (Fig. 7). Si l'angle de ponçage est trop grand, il s'ensuivra trop de pression et une usure excessive du disque et du matériau. Si l'angle est trop étroit, le contrôle de l'outil en sera réduit.



3. Ponçez par mouvements larges d'un côté à l'autre en avançant à chaque mouvement jusqu'à l'obtention du fini souhaitable.

Ponçage des marques de soudure et de forgeage

Pour faire disparaître les marques de soudure ou de forgeage, limitez le ponçage à grains grossiers

au seul endroit marqué. Ponçez successivement à plus fins pour lisser la surface.

Ponçage latéral

Pour finir une surface préalablement poncée avec un disque à grains grossier ou une meule, ponçez à angle droit des marques laissées par le disque grossier. Les marques laissées par le ponçage précédent sont faciles à voir et à enlever. Si l'on néglige de poncer latéralement après un changement de disque, il pourra rester des rainures profondes et des marques circulaires à la fin du ponçage.

Fini du métal

Déplacez constamment la ponceuse sur la surface. Travaillez plus prestement sur les endroits arrondis où le contact avec le disque est restreint et la pression plus grande. Une trop grande pression pourra laisser des marques à la fin d'un mouvement. Réduisez la pression vers la fin des mouvements d'un côté à l'autre pour éviter que les côtés ne soient trop usés à l'endroit où le mouvement revient sur lui-même.

Dépistage des dérangements

Les rayures profondes peuvent provenir de :

- Usage d'un grain trop grossier.
- Usage d'un disque encroûté.
- Saleté ou particules de métal sur le matériau à poncer.
- Défaut de poncer perpendiculairement aux marques du ponçage grossier après changement de disque.
- Défaut d'utiliser un disque à grains serrés. Les disques à grains serrés perdent moins souvent leurs grains sur la surface.

Le bleuissement de la surface métallique indique

une surchauffe qui peut provenir de :

- Surchauffe causée par un mouvement circulaire en espace restreint.
- Pression excessive.
- Emploi d'un disque usé ou encroûté.

Choix des disques abrasifs et des grains

Consultez le tableau ci-dessous pour connaître le disque abrasif qui convienne à votre tâche. En général, utilisez des disques à 16, 24 ou 36 grains pour le décapage robuste; 50, 60 ou 80 grains pour le décapage moyen et 120 pour la finition. Commencez toujours avec un disque à grains grossiers pour continuer avec des disques progressivement plus fins. Voir « Catalogue » pour la gamme complète des disques abrasifs *MILWAUKEE*.

Corindon	Aluminium-Zircone Bi-Cut	Céramique
Pour abrasion rapide. Disque d'usage général convenant à la plupart des tâches sur les métaux. Idéal pour l'acier laminé à froid, l'acier inoxydable et les métaux exigeant un abrasif robuste et durable.	Conception unique des grains formant un agglomérat rugueux pour extirper les dépôts et nettoyer rapidement. Idéal pour décaper sans encroûtage la peinture des autos, bateaux, fibre de verre, etc.	Dure trois fois plus longtemps qu'un disque en corindon. Pour le travail général sur les métaux, l'outil idéal pour les tâches robustes.

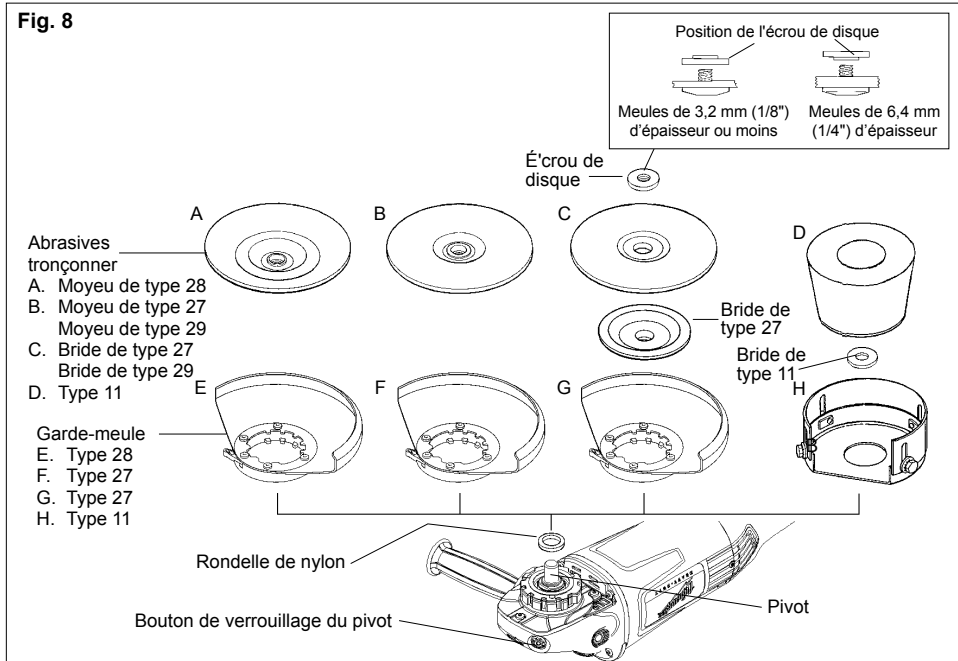
UTILISATION DES MEULES ABRASIVES ET DES MEULES À TRONÇONNER

Installation de la meule

1. Débranchez l'outil et posez-le à l'envers sur une surface plane, tel qu'indiqué. Enlevez les accessoires du pivot.
2. Vissez la rondelle de nylon sur le pivot. Installez le garde-meule et la meule abrasive en vous basant sur la vignette Fig. 8 pour le mode et l'ordre de montage. Consultez les vignettes Fig. 2 et 3 pour l'installation du garde-meule. **N.B.** Lorsque vous optez pour une meule abrasive de type 27 ou type 29, positionnez l'écrou de disque selon l'épaisseur de la meule. Positionnez le garde-meule à l'endroit offrant

- la meilleure maîtrise et la meilleure protection. Pour connaître les zones de travail qui offrent une protection maximale à l'utilisateur. Consultez la vignette Fig. 9. **N.B.** Si vous optez pour un meule-boisseau de type 11, ajustez la jupe du garde-meule pour ne laisser dépasser de 3,2 mm (1/8") de la meule hors du garde-meule.
3. Pour serrer, appuyez sur le bouton de verrouillage du pivot et faites tourner la meule ou le écrou de disque en sens horaire à l'aide de la clé à ergots qui accompagne l'outil.
 4. Pour retirer la meule et le garde-meule, débranchez l'outil et inversez la technique.

Fig. 8



AVERTISSEMENT Pour minimiser les risques de blessures, l'utilisateur devrait être formé au maniement, à l'entretien et à la protection des meules.

Soin des meules

Les meules devraient être protégées de :

- l'eau et l'humidité
- les solvants de tous genres
- les brusques variations de température
- les chutes et les heurts

Les meules devraient être rangées :

- de façon systématique pour permettre le retrait de l'une sans déranger ou endommager les autres
- avec leur fiche signalétique

Les meules ne devraient pas :

- choir
- rouler
- heurter

Si on laisse choir une meule, qu'on la roule, la heurte ou la soumet à de brusques changements de température, ou encore, si elle vient en contact avec des solvants ou de l'humidité, il vaut mieux en disposer immédiatement.

Dépistage des dérangements

Les rayures profondes et les marques circulaires peuvent provenir de :

- Pression inégale
- Utilisation d'une meule encrassée - surtout sur l'aluminium
- Saleté ou particules de métal sur le matériau
- Défaut de déplacer constamment l'outil sur la surface

Le bleuissement d'une surface métallique indique :

- Surchauffe causée par des mouvements circulaires concentrés au même endroit
- Pression trop grande
- Usage d'une meule usée ou encrassée

Inspection des meules

Pour éviter de les endommager, manipulez les meules avec soin. Avant d'en installer une, inspectez-la pour y déceler des fissures. Si la meule est fissurée, disposez-en afin que personne d'autre ne puisse s'en servir.

AVERTISSEMENT N'utilisez que des disques dont la vitesse de rotation sécuritaire excède la vitesse de rotation mentionnée sur la fiche signalétique de l'outil. Cette vitesse de rotation est basée sur la résistance du disque en tenant compte de la sécurité. La vitesse de rotation indiquée n'est pas une norme de rendement, mais une norme de vitesse de rotation sécuritaire qu'il ne faut pas excéder.

Choix des meules

Le meulage s'effectue par l'action abrasive de milliers de grains abrasifs sur la face de la meule. Lorsque vous meulez des métaux comme l'acier et le fer, choisissez une meule en corindon. Pour la pierre et le béton, une meule de carbure de

silicium et pour les métaux non ferreux, une meule renforcée de coton.

Les meules de type 27 renforcées de 3,2 mm (1/8") conviennent pour de petits tronçonnages et des encoches seulement.

AVERTISSEMENT Pour minimiser les risques de blessures au cours du meulage :

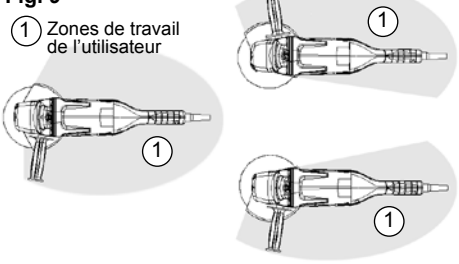
- **TOUJOURS** tenir fermement l'outil par ses poignées avec les deux mains avant et durant le meulage.
- **NE JAMAIS** laisser la meule se coincer.
- **NE JAMAIS** utiliser une meule que l'on a laissé choir.
- **NE JAMAIS** heurter la meule sur le matériau.
- **NE JAMAIS** pratiquer le meulage sans l'équipement de protection nécessaire.

AVERTISSEMENT Afin de réduire les risques de blessures durant le meulage, **TOUJOURS** employer le garde-meule approprié et **TOUJOURS** l'installer correctement.

Meulage

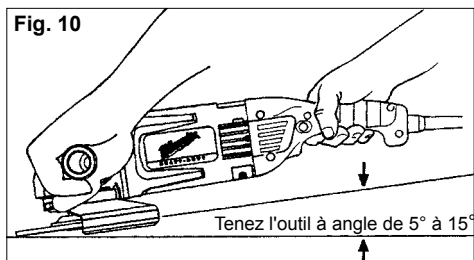
1. Selon le travail effectué, placez le garde-meule de manière à garantir une protection maximale à l'utilisateur (Fig. 9).

Fig. 9



2. Si vous venez tout juste d'installer un disque abrasif ou de commencer le travail, vérifiez la meule en la laissant tourner durant une minute avant de l'appliquer sur le matériau.
N.B. Une meule déstabilisée peut marquer le matériau, causer des dommages à l'outil et imposer une contrainte irrésistible à la meule.
3. Tenez fermement la poignée arrière et la poignée latérale avant de mettre l'outil en marche ou pendant qu'il fonctionne. Laissez la meule atteindre son plein régime avant de commencer le meulage.
4. Pour le meulage, tenez l'outil à un angle de 5° à 15° degrés, tel qu'indiqué, d'assurer une pression constante et un fini uniforme (Fig. 10). Un angle trop grand occasionne une concentration de pression sur de petites surfaces et peut rainurer ou brûler la surface de la pièce à ouvrir.

Fig. 10



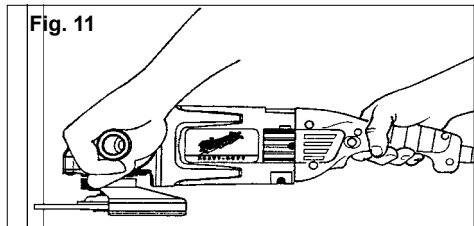
5. Contrôlez la pression et le contact du disque avec la pièce. Une trop grande pression pourra ralentir le meulage.

⚠ AVERTISSEMENT Afin d'assurer la protection maximale de l'utilisateur en cas de bris du disque, un garde-meule de type 27 doit être installé lorsqu'un disque à tronçonner de type 27 est utilisé.

Utilisation des meules à tronçonner de type 27
Les meules de type 27 renforcées conviennent pour de petits tronçonnages et des encoches seulement.

1. Tenez fermement la poignée arrière et la poignée latérale avant de mettre l'outil en marche ou pendant qu'il fonctionne. Laissez la meule atteindre son plein régime avant de commencer le tronçonnage.
2. Lorsque vous employez une meule à tronçonner, tenez l'outil tel qu'indiqué et n'utilisez que le tranchant de la meule (Fig. 11).

Fig. 11



3. Contrôlez la pression de la meule sur la pièce. Une pression trop forte va ralentir la coupe.

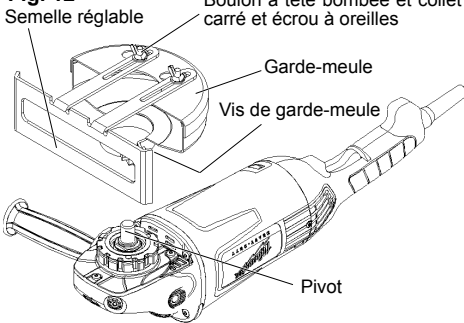
⚠ AVERTISSEMENT Afin d'assurer la protection maximale de l'utilisateur en cas de bris du disque, un garde-meule de type 1 doit être installé lorsqu'un disque à tronçonner de type 1 est utilisé.

Installation et retrait du garde-meule de type 1 et de la semelle réglable

1. Débranchez l'outil et posez-le à l'envers sur une surface plane. Enlevez les accessoires du pivot.
2. Dévissez la vis du garde-meule et glissez-le sur le pivot.
Placez le garde-meule à la position offrant la meilleure maîtrise et la meilleure protection. Pour connaître les zones de travail qui offrent une

protection maximale à l'utilisateur, consultez la vignette Fig. 9. Serrez la vis du garde-meule à fond.

Fig. 12



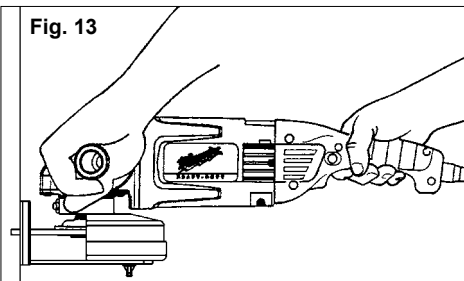
3. Pour ajuster le garde-meule, débranchez l'outil, dévissez la vis du garde-meule, faites tourner le garde-meule à la position désirée puis resserrez la vis du garde-meule.
4. Pour retirer la semelle réglable, dévissez l'écrou à oreilles, glissez la semelle jusqu'aux trous d'accès et retirez-la. Pour installer la semelle réglable, placez la tête des boulons à tête bombée et collet carré dans les trous d'accès du garde-meule et glissez la semelle jusqu'au bout des rainures. Ajustez la semelle à la position désirée et resserrez l'écrou à oreilles à fond.
5. Pour enlever le garde-meule, débranchez l'outil, retirez les accessoires et inversez la technique.

Utilisation des meule à tronçonner de type 1

1. Tenez fermement la poignée arrière et la poignée latérale de l'outil avant et durant le meulage. Laissez le meule atteindre son plein régime avant de commencer le tronçonnage.
2. Si vous utilisez un meule à tronçonner, tenez l'outil tel qu'indiqué en coupant avec le tranchant du disque (Fig. 13).
3. Contrôlez la pression et le contact du meule avec la surface du matériau. Une trop grande pression ralentit la vitesse de coupe.

⚠ AVERTISSEMENT Afin de minimiser les risques de blessures, n'utilisez jamais un disque à tronçonner de type 1 pour meuler une surface.

Fig. 13



UTILISATION DES BROSSES À FILS D'ACIER

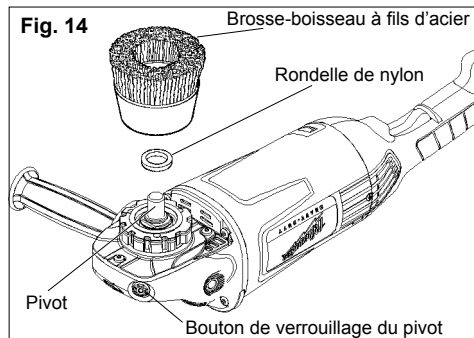
Sélection des brosses à fils d'acier

Les brosses à fils d'acier sont utiles pour enlever rouille, tartre, bavures, scories de soudure etc. Il existe un vaste choix de brosses à fils d'acier pour diverses applications.

⚠ AVERTISSEMENT Les personnes présentes dans l'aire de travail doivent porter des vêtements de protection, des lunettes à coques latérales ou un masque facial. Les fils d'acier rompus et les rognures de meulage peuvent être éjectés avec force et comporter un risque sérieux de blessures graves.

Installation des brosses-boisseau à fils d'acier

Fig. 14



1. Débranchez l'outil et posez-le sur une surface plane. Retirez les accessoires du pivot.
N.B. N'utilisez jamais un garde-meule avec une brosse-boisseau à fils d'acier.
2. Vissez la rondelle de nylon sur le pivot. Fixez la brosse-boisseau sur le pivot.
3. Appuyez sur le bouton de verrouillage du pivot tandis que vous serrez la brosse à l'aide d'une clé (non fournie avec l'outil).
4. Pour retirer la brosse-boisseau à fils d'acier, débranchez l'outil et inversez la technique.

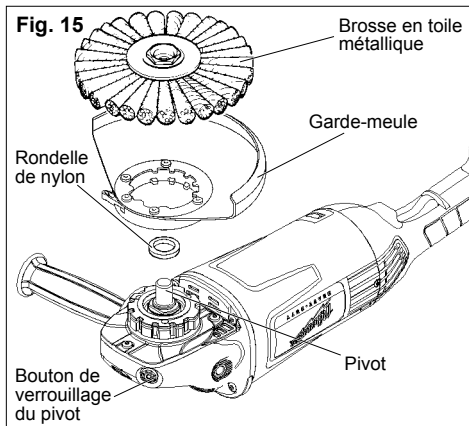
⚠ AVERTISSEMENT Les bouts de fil métallique de la brosse en toile métallique convergent vers l'utilisateur. C'est pourquoi il faut installer un garde-meule de type 27 pour se protéger des fils rompus par l'usure qui sont éjectés durant le meulage.

Installation des brosses en toile métallique

1. Débranchez l'outil et posez-le sur une surface plane. Retirez les accessoires du pivot.
2. Vissez la rondelle de nylon sur le pivot. Fixez le disque et le garde-meule sur le pivot. Voir Fig. 2 et 3 pour installer le garde-meule.
Placez le garde-meule à la position offrant la meilleure maîtrise et la meilleure protection. Pour connaître les zones de travail qui offrent une protection maximale à l'utilisateur, consultez la vignette Fig. 9.

3. Appuyez sur le bouton de verrouillage du pivot tandis que vous serrez le disque à l'aide d'une clé (non fournie avec l'outil).
4. Pour retirer la brosse en toile métallique, débranchez l'outil et inversez la technique.

Fig. 15



⚠ AVERTISSEMENT N'excédez pas la vitesse de rotation sécuritaire pour laquelle la brosse à fils d'acier est calibrée. N'utilisez pas une brosse avariée ou une brosse qui ne fonctionne pas normalement (éjection de fils rompus, flottement etc.). Ces conditions augmentent les risques de bris et de blessures pouvant en résulter. Débarrassez-vous des brosses avariées et employez-en de nouvelles.

Utilisation des brosses à fils d'acier

1. Ne portez pas des vêtements amples lorsque vous vous servez d'une brosse à fils d'acier. Les fils pourraient se prendre dans un vêtement flottant et l'entraîner dans les pièces en mouvement.
2. Tenez fermement la poignée arrière et la poignée latérale avant de mettre l'outil en marche ou pendant qu'il fonctionne. Vérifiez toujours l'équilibre de la brosse à fils d'acier et la présence de fils détachés ou endommagés. Faites tourner la brosse à vide durant au moins une minute avant de l'appliquer au matériau.
3. Lorsque vous appliquez la brosse au matériau, évitez de mettre une trop grande pression qui pourrait aplatir les fils de la brosse, créer de la surchauffe et briser prématurément les fils d'acier, ce qui rendrait la brosse inutilisable à court terme.
Au lieu d'appliquer une grande pression sur une brosse, essayez plutôt une brosse en toile métallique dont l'action est plus mordante ou une brosse à fils plus gros ou plus courts ou d'autres types de brosses telles les brosses à fils noués ou à fils ondulés.

ACCESOIRES

⚠ AVERTISSEMENT Débranchez toujours l'outil avant de changer ou d'enlever les accessoires. L'utilisation d'autres accessoires que ceux qui sont spécifiquement recommandés pour cet outil peut comporter des risques.

Pour une liste complète des accessoires, prière de se reporter au catalogue *MILWAUKEE* Electric Tool ou visiter le site internet www.milwaukeetool.com. Pour obtenir un catalogue, il suffit de contacter votre distributeur local ou l'un des centres-service.

ENTRETIEN

⚠ AVERTISSEMENT Pour minimiser les risques de blessures, débranchez toujours l'outil avant d'y effectuer des travaux de maintenance. Ne faites pas vous-même le démontage de l'outil ni le rebobinage du système électrique. Consultez un centre de service *MILWAUKEE* accrédité pour toutes les réparations.

Entretien de l'outil

Gardez l'outil en bon état en adoptant un programme d'entretien ponctuel. Avant de vous en servir, examinez son état en général. Inspectez-en la garde, interrupteur, cordon et cordon de rallonge pour en déceler les défauts. Vérifiez le serrage des vis, l'alignement et le jeu des pièces mobiles, les vices de montage, bris de pièces et toute autre condition pouvant en rendre le fonctionnement dangereux. Si un bruit ou une vibration insolite survient, arrêtez immédiatement l'outil et faites-le vérifier avant de vous en servir de nouveau. N'utilisez pas un outil défectueux. Fixez-y une étiquette marquée « HORS D'USAGE » jusqu'à ce qu'il soit réparé (voir « Réparations »).

Normalement, il ne sera pas nécessaire de lubrifier l'outil avant que le temps ne soit venu de remplacer les balais. Après une période pouvant aller de 6 mois à un an, selon l'usage, retournez votre outil à un centre de service *MILWAUKEE* accrédité pour obtenir les services suivants:

- Lubrification
- Inspection et remplacement des balais
- Inspection et nettoyage de la mécanique (engrenages, pivots, coussinets, boîtier etc.)
- Inspection électrique (interrupteur, cordon, induit etc)
- Vérification du fonctionnement électromécanique

⚠ AVERTISSEMENT Pour minimiser les risques de blessures, choc électrique et dommage à l'outil, n'immergez jamais l'outil et ne laissez pas de liquide s'y infiltrer.

Nettoyage

Débarrassez les événements des débris et de la poussière. Gardez les poignées de l'outil propres, à sec et exemptes d'huile ou de graisse. Le nettoyage de l'outil doit se faire avec un linge humide et un savon doux. Certains nettoyants tels l'essence, la térébenthine, les diluants à laque ou à peinture, les solvants chlorés, l'ammoniaque et les détergents d'usage domestique qui en contiennent pourraient détériorer le plastique et l'isolation des pièces. Ne laissez jamais de solvants inflammables ou combustibles auprès des outils.

Réparations

Si votre outil est endommagé, retourne l'outil entier au centre de maintenance le plus proche.

GARANTIE LIMITÉE - AUX ÉTATS-UNIS ET AU CANADA

Chaque outil électrique MILWAUKEE (y compris les produits sans fil [outils, piles, chargeur de piles, lampe de travail]; consulter les énoncés de la GARANTIE LIMITÉE DES BLOCS-PILES SANS FIL) est garanti à l'acheteur d'origine être exempt de vice de matériau et de fabrication. Sous réserve de certaines exceptions, MILWAUKEE réparera ou remplacera toute pièce d'un outil électrique qui, après examen par MILWAUKEE, s'est avérée être affectée d'un vice de matériau ou de fabrication pendant une période de cinq (5) ans* après la date d'achat, sauf indication contraire. Retourner l'outil électrique, à un centre de réparations en usine MILWAUKEE ou à un poste d'entretien agréé MILWAUKEE, en port prépayé et assuré. Une copie de la preuve d'achat doit être présentée au moment de retourner le produit. Cette garantie ne couvre pas les dommages que MILWAUKEE détermine être causés par des réparations ou des tentatives de réparation par quiconque autre que le personnel agréé par MILWAUKEE, des utilisations incorrectes, des altérations, des utilisations abusives, une usure normale, une carence d'entretien ou des accidents.

*La période de garantie applicable pour les radios de chantier, le port d'alimentation M12™, Source d'énergie M18™, et les chariots de travail industriels Trade Titan™ est d'une durée d'un (1) an à partir de la date d'achat. La période de la garantie couvrant la lampe de travail à DEL et l'ampoule améliorée à DEL est une garantie A VIE limitée à l'acheteur d'origine seulement; si, lors d'une utilisation normale, l'ampoule à DEL présente une défectuosité, la lampe de travail et l'ampoule seront remplacées sans frais.

*Cette garantie ne s'applique pas aux clouses-agrafeuses pneumatiques, aux pulvérisateurs à peinture sans air, aux blocs piles pour outils sans fil, aux génératrices d'alimentation portatives à essence, aux outils à main, aux monte-charge – électrique, à levier et à chaîne (manuel), aux vestes chauffantes M12™, aux produits résinés, ni aux produits d'essai et de mesure. Il existe des garanties distinctes pour ces produits.

L'enregistrement de la garantie n'est pas nécessaire pour bénéficier de la garantie en vigueur sur un outil électrique MILWAUKEE. La date de fabrication du produit servira à établir la période de garantie si aucune preuve d'achat n'est fournie lorsqu'une demande de service sous garantie est présentée.

L'ACCEPTATION DES RECOURS EXCLUSIFS DE RÉPARATION ET DE REMPLACEMENT DÉCRITS AUX PRÉSENTES EST UNE CONDITION DU CONTRAT D'ACHAT DE TOUT PRODUIT MILWAUKEE. SI VOUS N'ACCEPTÉZ PAS CETTE CONDITION, VOUS NE DEVEZ PAS ACHETER LE PRODUIT. EN AUCUN CAS MILWAUKEE NE SAURAIT ÊTRE RESPONSABLE DE TOUT DOMMAGE ACCESSOIRE, SPECIAL OU INDIRECT, DE DOMMAGES-INTÉRÊTS PUNITIFS OU DE TOUTE DÉPENSE, D'HONORAIRES D'AVOCATS, DE FRAIS, DE PERTE OU DE DÉLAIS ACCESSOIRES À TOUT DOMMAGE, DÉFAILLANCE OU DÉFAUT DE TOUT PRODUIT, Y COMPRIS NOTAMMENT LES PERTES DE PROFIT. CERTAINS ÉTATS ET PROVINCES NE PERMETTANT PAS L'EXCLUSION OU LA LIMITATION DES DOMMAGES DIRECTS OU INDIRECTS, LES RESTRICTIONS CI-DESSUS PEUVENT NE PAS ÊTRE APPLICABLES. CETTE GARANTIE EST EXCLUSIVE ET REMPLACE TOUTE AUTRE GARANTIE EXPRESSE, QU'ELLE SOIT ORALE OU ÉCRITE. DANS LA MESURE PERMISE PAR LA LOI, MILWAUKEE RENONCE À TOUTE GARANTIE IMPLICITE, Y COMPRIS, SANS S'Y LIMITER, TOUTE GARANTIE IMPLICITE DE QUALITÉ MARCHANDE OU D'ADAPTATION À UNE UTILISATION OU À UNE FIN PARTICULIÈRE. DANS LA MESURE OU UNE TELLE STIPULATION D'EXONÉRATION N'EST PAS PERMISE PAR LA LOI, LA DURÉE DE CES GARANTIES IMPLICITES EST LIMITÉE À LA PÉRIODE APPLICABLE DE LA GARANTIE EXPRESSE, TEL QUE DÉCRIT PRÉCÉDEMMENT. CERTAINS ÉTATS ET PROVINCES NE PERMETTANT PAS DE LIMITATION DE DURÉE DES GARANTIES IMPLICITES, LES RESTRICTIONS CI-DESSUS PEUVENT NE PAS ÊTRE APPLICABLES. LA PRÉSENTE CONFÈRE À L'UTILISATEUR DES DROITS LÉGAUX PARTICULIERS; IL BÉNÉFICIE ÉGALEMENT D'AUTRES DROITS QUI VARIENT D'UN ÉTAT À L'AUTRE.

Cette garantie s'applique aux produits vendus aux États-Unis et au Canada uniquement.

Veuillez consulter la rubrique Centre SAV MILWAUKEE, dans la section Pièces & Service du site Web de MILWAUKEE, à l'adresse www.milwaukeeetool.com, ou composer le 1-800-SAWDUST (1-800-729-3878) afin de trouver le centre de réparations en usine MILWAUKEE le plus près.

GARANTIE LIMITÉE – MEXIQUE, AMÉRIQUE CENTRALE ET CARAÏBES

TECHTRONIC INDUSTRIES' garantit le produit pendant cinq ans à partir de la date d'achat d'origine. Le présent bon de garantie couvre tous les vices de matériau et de fabrication qui peut afficher cet outil électrique. Pour assurer la validité de la présente garantie, veuillez présenter le bon de commande, estampillé du sceau du distributeur ou du magasin où le produit a été acheté, au centre de réparations agréé. Si le bon de commande n'a pas été estampillé, veuillez fournir la preuve d'achat d'origine au centre de réparations agréé. Pour un entretien, des pièces, des accessoires ou d'autres composants, composer sans frais le 1-800-832-1949 afin d'obtenir les coordonnées du centre de réparations agréé le plus près.

Procédure pour assurer la validité de la garantie

Présenter le produit au centre de réparations agréé, accompagné du bon de commande estampillé du sceau du distributeur ou du magasin où le produit a été acheté. Toute pièce défectueuse ou tout composant défectueux sera remplacé sans frais. Milwaukee assume tous les frais de transport liés à ce processus de garantie.

Exceptions

La garantie ne s'applique pas dans les situations suivantes :

- Si le produit a été utilisé pour une fin autre que celle indiquée dans le guide de l'utilisateur final ou le manuel d'instructions.
- Si les conditions d'utilisations ne sont pas habituelles.
- Si le produit a été modifié ou réparé par une personne non autorisée par TECHTRONIC INDUSTRIES.

Note : Si le cordon électrique est endommagé, il doit être remplacé par un centre de réparations agréé pour éviter les risques d'électrocution.

Modèle : _____

Date d'achat : _____

Sceau du distributeur ou du magasin : _____

CENTRE DE RÉPARATIONS ET DE SERVICE
Av Presidente Mazarik 29 Piso 7, 11570 Chapultepec Morales
Miguel Hidalgo, Distrito Federal, Mexico
Ph. 52 55 4160-3547

IMPORTÉ ET COMMERCIALISÉ PAR :
TECHTRONIC INDUSTRIES MEXICO, S.A. DE C.V.
Av Presidente Mazarik 29 Piso 7, 11570 Chapultepec Morales
Miguel Hidalgo, Distrito Federal, Mexico

ADVERTENCIAS DE SEGURIDAD GENERALES PARA LA HERRAMIENTA ELÉCTRICA

⚠ ADVERTENCIA LEA TODAS LAS ADVERTENCIAS E INSTRUCCIONES DE SEGURIDAD. Si no sigue todas las advertencias e instrucciones, se pueden provocar una descarga eléctrica, un incendio o lesiones graves.

Guarde todas las advertencias e instrucciones para consultarlas en el futuro.

El término "herramienta eléctrica" en todas las advertencias incluidas más abajo se refiere a su herramienta operada por conexión (cable) a la red eléctrica o por medio de una batería (inalámbrica).

SEGURIDAD EN EL ÁREA DE TRABAJO

- Mantenga limpia y bien iluminada el área de trabajo. Las áreas desordenadas u oscuras contribuyen a que se produzcan accidentes.
- No utilice herramientas eléctricas en atmósferas explosivas, como en la presencia de líquidos, gases o polvo inflamables. Las herramientas eléctricas crean chispas que pueden incendiar el polvo o las emanaciones.
- Mantenga a los niños y otras personas alejadas mientras utiliza una herramienta eléctrica. Las distracciones pueden hacerle perder el control.

SEGURIDAD ELÉCTRICA

- Los enchufes de las herramientas eléctricas deben ser del mismo tipo que el tomacorrientes. Nunca realice ningún tipo de modificación en el enchufe. No use enchufes adaptadores con herramientas eléctricas con conexión a tierra. Se reducirá el riesgo de descarga eléctrica si no se modifican los enchufes y los tomacorrientes son del mismo tipo.
- Evite el contacto corporal con superficies con conexión a tierra, como tuberías, radiadores, estufas y refrigeradores. El riesgo de descarga eléctrica aumenta si su cuerpo está conectado a tierra.
- No exponga la herramientas eléctricas a la lluvia o a condiciones de humedad. El agua que entra en una herramienta eléctrica aumenta el riesgo de descarga eléctrica.
- No abuse del cable. Nunca use el cable para transportar la herramienta eléctrica, tirar de ella o desenchufarla. Mantenga el cable alejado del calor, los bordes afilados o las piezas en movimiento. Los cables dañados o enmarañados aumentan el riesgo de descarga eléctrica.
- Cuando se utiliza una herramienta eléctrica en el exterior, use una extensión que sea apropiada para uso en el exterior. El uso de un cable apropiado para el exterior reduce el riesgo de descarga eléctrica.
- Si debe operar una herramienta eléctrica en un lugar húmedo, utilice un suministro protegido por un dispositivo de corriente residual (RCD). Usar un RCD reduce el riesgo de que se produzcan descargas eléctricas.

SEGURIDAD PERSONAL

- Manténgase alerta, ponga cuidado a lo que está haciendo y use el sentido común cuando utilice una herramienta eléctrica. No use una herramienta eléctrica cuando está cansado o bajo la influencia de drogas, alcohol o medicinas. Despijarse un minuto cuando se utiliza una herramienta eléctrica puede tener como resultado

lesiones personales graves.

- Use un equipo de protección personal. Lleve siempre protección ocular. Llevar un equipo de protección apropiado para la situación, como una máscara antipolvo, zapatos de seguridad antideslizantes, un casco o protección auditiva, reducirá las lesiones personales.
- Evite el encendido accidental. Asegúrese de que el interruptor esté en la posición de apagado antes de conectarlo a la toma de alimentación o a la batería, al levantar o mover la herramienta. Mover herramientas con el dedo en el interruptor o enchufarlas con el interruptor en la posición de encendido contribuye a que se produzcan accidentes.
- Quite todas las llaves de ajuste antes de encender la herramienta. Una llave que esté acoplada a una pieza giratoria de la herramienta puede provocar lesiones personales.
- No se estire demasiado. Mantenga los pies bien asentados y el equilibrio en todo momento. Esto permite tener mejor control de la herramienta eléctrica en situaciones inesperadas.
- Vístase de manera apropiada. No lleve ropa suelta ni joyas. Mantenga el cabello, la ropa y los guantes lejos de las piezas en movimiento. La ropa floja, las joyas o el cabello largo pueden quedar atrapados en las piezas en movimiento.
- Si se proporcionan dispositivos para la conexión de sistemas de recolección y extracción de polvo, asegúrese de que estén conectados y se usen apropiadamente. El uso de estos dispositivos puede reducir los peligros relacionados con el polvo.

USO Y CUIDADO DE LAS HERRAMIENTAS ELÉCTRICAS

- No fuerce la herramienta eléctrica. Use la herramienta eléctrica correcta para la aplicación. La herramienta eléctrica correcta funcionará mejor y de manera más segura a la velocidad para la que se diseñó.
- No use la herramienta eléctrica si el interruptor no la enciende ni la apaga. Cualquier herramienta eléctrica que no se pueda controlar con el interruptor es peligrosa y se debe reparar.
- Desconecte el enchufe de la toma de alimentación y/o la batería de la herramienta eléctrica antes de realizar cualquier ajuste, cambiar accesorios o almacenar las herramientas eléctricas. Dichas medidas preventivas de seguridad reducen el riesgo de que la herramienta se prenda accidentalmente.
- Almacene las herramientas eléctricas fuera del alcance de los niños y no permita que personas no familiarizadas con ellas o estas

instrucciones las utilicen. Las herramientas eléctricas son peligrosas en las manos de usuarios no capacitados.

- **Mantenimiento de las herramientas eléctricas.** Revise que no haya piezas móviles que estén desalineadas o que se atasquen, piezas rotas ni ninguna otra condición que pueda afectar el funcionamiento de la herramienta eléctrica. Si se encuentran daños, haga que le reparen la herramienta antes de usarla. Las herramientas mal mantenidas son la causa de muchos accidentes.
- **Mantenga las herramientas de corte limpias y afiladas.** Es menos probable que se atasquen las herramientas de corte con filos afilados que se mantienen de manera apropiada y también son más fáciles de controlar.
- **Use la herramienta eléctrica, los accesorios, las brocas, etc. siguiendo estas instrucciones, teniendo en cuenta las condiciones de trabajo y la tarea que se va a realizar.** El uso de la herramienta eléctrica para operaciones diferentes de aquellas para las que se diseñó podría originar una situación peligrosa.

MANTENIMIENTO

- **Haga que un técnico calificado realice el mantenimiento de la herramienta eléctrica utilizando solamente piezas de repuesto idénticas.** Esto asegurará que se mantiene la seguridad de la herramienta eléctrica.

REGLAS ESPECIFICAS DE SEGURIDAD

Advertencias de seguridad comunes para operaciones de rectificando, lijado, cepillado con alambre o corte abrasivo:

- **Esta herramienta eléctrica está diseñada para funcionar como rectificadora, lijadora, cepillo de alambre o herramienta de corte.** Lea todas las advertencias, instrucciones e ilustraciones de seguridad y las especificaciones provistas con esta herramienta eléctrica. El incumplimiento de cada una de las instrucciones que se enumeran a continuación podría provocar una descarga eléctrica, incendio y/o lesiones graves.
- **No se recomienda la realización de operaciones como pulido con esta herramienta eléctrica.** Las operaciones para las que no se diseñó esta herramienta eléctrica pueden crear un riesgo y causar lesiones personales.
- **No use accesorios que no estén específicamente diseñados y recomendados por el fabricante de la herramienta.** No es suficiente con que el accesorio pueda acoplarse a la herramienta para garantizar una operación segura.
- **La velocidad nominal del accesorio debe ser al menos equivalente a la velocidad máxima marcada en la herramienta eléctrica.** Los accesorios que operan a una velocidad mayor que su VELOCIDAD NOMINAL pueden quebrarse y lanzar piezas al aire.
- **El diámetro exterior y el grosor de su accesorio deben estar dentro de la clasificación de capacidad de su herramienta eléctrica.** Los accesorios de tamaño incorrecto no pueden resguardarse o controlarse correctamente.

- **El tamaño del eje de los discos, bridas, soportes y cualquier otro accesorio debe encajar correctamente en el husillo de la herramienta eléctrica.** Los accesorios que tengan orificios de eje que no coincidan con la tornillería de montaje de la herramienta eléctrica se desbalancearán, vibrarán excesivamente y pueden ocasionar pérdida de control.

- **No utilice un accesorio dañado.** Antes de cada uso, inspeccione el accesorio, por ejemplo, el disco abrasivo para detectar desportilladuras y grietas, el soporte para detectar grietas y desgastes excesivos, el cepillo de alambre para detectar alambres sueltos o quebrados. Si la herramienta eléctrica o el accesorio cae al suelo, inspecciónelo para detectar daños o instale un accesorio sin daños. Después de inspeccionar e instalar un accesorio, tanto usted como los espectadores deben colocarse alejados del plano del accesorio giratorio y hacer operar la herramienta eléctrica a la máxima velocidad sin carga durante un minuto. Los accesorios dañados normalmente se romperán durante este tiempo de prueba.

- **Utilice equipo de protección personal.** Dependiendo de la aplicación, utilice una careta, gafas o lentes de seguridad. Según corresponda, utilice mascarilla para polvo, protectores auditivos, guantes y mandil de taller capaz de detener pequeños fragmentos abrasivos o de la pieza de trabajo. La protección ocular debe ser capaz de detener residuos voladores generados por las distintas operaciones. La protección ocular debe ser capaz de detener residuos voladores generados por las distintas operaciones. La mascarilla para polvo o el respirador debe ser capaz de filtrar partículas generadas por su operación. La exposición prolongada al ruido de alta intensidad puede ocasionar pérdida auditiva.

- **Mantenga los espectadores a una distancia segura del área de trabajo.** Toda persona que entre al área de trabajo debe utilizar equipo de protección personal. Los fragmentos de la pieza de trabajo o de un accesorio roto pueden salir volando y causar lesiones más allá del área inmediata de operación.

- **Al realizar una operación donde el accesorio de corte pueda entrar en contacto con cableado oculto, sostenga la herramienta eléctrica únicamente de las superficies de empuñadura aisladas.** El contacto del accesorio de corte con un cable que conduzca electricidad puede hacer que las partes metálicas de la herramienta se electrifiquen y podría ocasionar una descarga eléctrica al operador.

- **Posicione el cable de manera que no interfiera con el accesorio giratorio.** Si pierde el control, el cable puede cortarse o engancharse y el brazo o la mano pueden ser jalados hacia el accesorio giratorio.

- **Nunca coloque la herramienta eléctrica sobre una superficie hasta que el accesorio se haya detenido por completo.** El accesorio giratorio puede agarrar la superficie y jalar la herramienta eléctrica, quitándole el control.

- **No opere la herramienta eléctrica mientras la carga a su costado.** El contacto accidental con el

accesorio giratorio podría ocasionar que su ropa se enganchara, jalando el accesorio hacia su cuerpo.

- **Limpie periódicamente las rejillas de ventilación de la herramienta eléctrica.** El ventilador del motor atraerá el polvo hacia el interior de la carcasa y la acumulación excesiva de metal en polvo puede causar riesgos eléctricos.
 - **No opere la herramienta eléctrica cerca de materiales inflamables.** Las chispas podrían incendiar estos materiales.
 - **No utilice accesorios que requieran enfriadores líquidos.** Utilizar agua u otros enfriadores líquidos puede ocasionar electrocución o descarga eléctrica.
- NOTA Esta advertencia no aplica a las herramientas eléctricas diseñadas específicamente para utilizarse con un sistema líquido.**

Contragolpe y advertencias relacionadas

-El contragolpe es una reacción repentina a un disco giratorio, soporte, cepillo o cualquier otro accesorio que se atora o engancha. Los atrones o enganchamientos ocasionan el paro rápido del accesorio giratorio, lo que a su vez ocasiona que la herramienta eléctrica sin control sea forzada en dirección contraria a la rotación del accesorio en el punto de unión.

-Por ejemplo, si un disco abrasivo se atora o engancha con la pieza de trabajo, el borde del disco que está entrando en el punto de agarre puede enterarse en la superficie del material, ocasionando que el disco se salga o se bote. El disco puede saltar hacia el operador o en dirección contraria, dependiendo de la dirección del movimiento del disco en el momento del contacto. Los discos abrasivos también pueden quebrarse bajo estas condiciones.

-El contragolpe es el resultado del uso incorrecto de la herramienta eléctrica y/o de procedimientos o condiciones de operación incorrectos y puede evitarse tomando las precauciones correspondientes que se indican a continuación.

- **Mantenga un agarre firme de la herramienta eléctrica y posicione su cuerpo y su brazo para permitirle resistir las fuerzas del contragolpe. Siempre utilice una empuñadura auxiliar, si se proporciona, para máximo control sobre el contragolpe o la reacción de torque durante el arranque.** El operador puede controlar las acciones de torque o las fuerzas de contragolpe si se toman las precauciones correspondientes.
- **Nunca coloque su mano cerca del accesorio giratorio.** El accesorio puede golpearle la mano con el contragolpe.
- **No coloque su cuerpo en el área hacia donde se moverá la herramienta eléctrica en caso de que ocurra contragolpe.** El contragolpe impulsará la herramienta en la dirección contraria al movimiento del disco en el punto de enganchamiento.
- **Ponga especial cuidado al trabajar en esquinas, bordes afilados, etc. Evite hacer rebotar y enganchar el accesorio.** Las esquinas, los bordes afilados o el rebote tienen una tendencia a ocasionar enganchamientos del accesorio giratorio y ocasionar pérdida de control o contragolpe.
- **No coloque una hoja de cadena para tallar madera ni una hoja de sierra dentada.** Estas

hojas generan contragolpes frecuentes y pérdida de control.

Advertencias de seguridad específicas para operaciones de rectificado y corte abrasivo:

- **Utilice únicamente los tipos de discos que se recomiendan para su herramienta eléctrica y la guarda específica diseñada para el disco seleccionado.** Los discos para los cuales no se diseñó la herramienta eléctrica no pueden resguardarse adecuadamente y son inseguros.
- **La guarda debe colocarse firmemente en la herramienta eléctrica y posicionarse para máxima seguridad, de manera que la mínima cantidad de disco quede expuesta hacia el operador.** La guarda ayuda a proteger al operador de fragmentos rotos de disco y de contacto accidental con el disco y chispas que podrían incendiar la ropa.
- **La guarda ayuda a proteger al operador de fragmentos rotos de disco y de contacto accidental con el disco y chispas que podrían incendiar la ropa.**
- **Los discos deben usarse únicamente para las aplicaciones recomendadas. Por ejemplo: no rectifique con el costado del disco para corte.** Los discos de corte abrasivo tienen por objeto utilizarse en rectificado periférico. Si se aplican fuerzas laterales a estos discos, pueden ocasionar quebradura.
- **Siempre utilice bridas de discos sin daños que sean del tamaño y forma correctos para el disco seleccionado.** Las bridas de disco correctas proveen soporte al disco, reduciendo así la posibilidad de quebradura del mismo. Las bridas de los discos de corte pueden ser diferentes de las vidas de los discos de rectificado.
- **No utilice discos desgastados de herramientas eléctricas más grandes.** Los discos diseñados para herramientas eléctricas más grandes no son adecuados para la mayor velocidad de una herramienta de menor tamaño y pueden explotar.

Advertencias de seguridad específicas adicionales para operaciones de corte abrasivo:

- **No inserte a la fuerza el disco de corte ni aplique presión excesiva. No intente hacer una profundidad de corte excesiva.** Aplicar un exceso de presión al disco aumenta la carga y la susceptibilidad de que el disco se tuerza o se trabe en el corte y la posibilidad de contragolpe o ruptura del disco.
- **No posicione su cuerpo en línea con el disco giratorio ni detrás del mismo.** Cuando el disco, en el punto de operación, se esté alejando de su cuerpo, el posible contragolpe puede impulsar el disco giratorio y la herramienta eléctrica directamente hacia usted.
- **Cuando el disco se esté amarrando o cuando se interrumpa un corte por cualquier motivo, apague la herramienta eléctrica y sosténgala inmóvil hasta que el disco se detenga por completo. Nunca intente retirar el disco del corte mientras aún esté en movimiento, pues puede ocurrir contragolpe.** Investigue y siga una acción correctiva para eliminar la causa del amarre del disco.
- **No reinicie la operación de corte dentro la pieza de trabajo. Deje que el disco alcance la velocidad total y cuidadosamente vuelva a in-**

roducirlo al corte. El disco puede amarrarse, irse hacia arriba o generar contragolpe si la herramienta eléctrica se reinicia dentro de la pieza de trabajo.

- **Provea soporte para los paneles o cualquier pieza de trabajo de gran tamaño para minimizar el riesgo de pellizcamiento y contragolpe del disco.** Las piezas de trabajo grandes tienden a pandearse con su propio peso. Deben colocarse soportes debajo de la pieza de trabajo, cerca de la línea de corte y cerca del borde de la pieza de trabajo a ambos lados del disco.
- **Use precaución adicional al hacer un “corte de bolsillo” en muros existentes u otras áreas donde no haya visibilidad.** El disco saliente puede cortar líneas de gas o agua, cables eléctricos u otros objetos, lo que puede genera contragolpe.

Advertencias de seguridad específicas para operaciones de lijado:

- **No utilice lijas excesivamente grandes para los discos de lijado. Siga las recomendaciones del fabricante al seleccionar la lija.** El papel lija más grande que se extiende más allá del soporte de lijado representa un riesgo de laceración y puede causar atorones, desgarre del disco o contragolpe.

Advertencias de seguridad específicas para operaciones de cepillado con alambre:

- **Tenga en cuenta que las cerdas de alambre se desprenden del cepillo incluso durante la operación ordinaria. No aplique presión excesiva a los alambres aplicando demasiada carga al cepillo.** Las cerdas de alambre pueden penetrar

fácilmente la ropa ligera y/o la piel.

- **Si se recomienda el uso de una guarda para el cepillado con alambre, no permita que haya ninguna interferencia del disco o cepillo de alambre con la guarda.** El diámetro del disco o cepillo de alambre puede expandirse debido a la carga de trabajo y las fuerzas centrífugas.

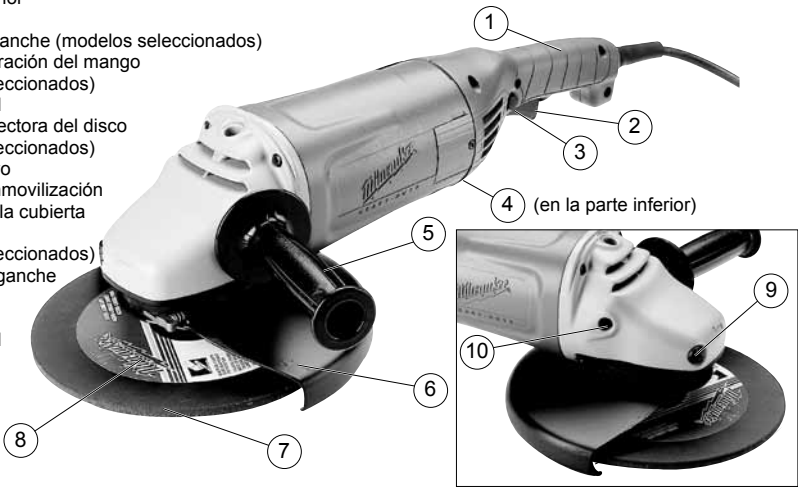
- **Guarde las etiquetas y placas de especificaciones.** Estas tienen información importante. Si son ilegibles o si no se pueden encontrar, póngase en contacto con un centro de servicio de MILWAUKEE para una refacción gratis.

- **ADVERTENCIA:** Algunas partículas de polvo resultantes del lijado mecánico, aserrado, esmerlado, taladrado y otras actividades relacionadas a la construcción, contienen sustancias químicas que se saben ocasionan cáncer, defectos congénitos u otros daños al aparato reproductivo. A continuación se citan algunos ejemplos de tales sustancias químicas:
 - plomo proveniente de pinturas con base de plomo
 - sílice cristalino proveniente de ladrillos, cemento y otros productos de albañilería y
 - arsénico y cromo provenientes de madera químicamente tratada.

El riesgo que usted sufre debido a la exposición varía dependiendo de la frecuencia con la que usted realiza estas tareas. Para reducir la exposición a estas sustancias químicas: trabaje en un área bien ventilada, y utilice equipo de seguridad aprobado como, por ejemplo, máscaras contra el polvo que hayan sido específicamente diseñadas para filtrar partículas microscópicas.

DESCRIPCION FUNCIONAL

1. Mango posterior
2. Gatillo
3. Botón de enganche (modelos seleccionados)
4. Botón de liberación del mango (modelos seleccionados)
5. Mango lateral
6. Cubierta protectora del disco (modelos seleccionados)
7. Disco abrasivo
8. Palanca de inmovilización del ajuste de la cubierta protectora (modelos seleccionados)
9. Segurode enganche de la flecha
10. Entrada para mango lateral



ESPECIFICACIONES

Cat. No.	Volts	A	rpm	Tamaño de Flecha	Tamaño del Disco	Mínimas rpm del Disco
6088-30	120 ca/cd	15	6 000	5/8"-11	178/229 mm (7"/9")	6 500
6088-31	120 ca/cd	15	6 000	5/8"-11	178/229 mm (7"/9")	6 500
6089-30	120 ca/cd	15	6 000	5/8"-11	178/229 mm (7"/9")	6 500
6089-31	120 ca/cd	15	6 000	5/8"-11	178/229 mm (7"/9")	6 500

TIERRA



ADVERTENCIA Puede haber riesgo de descarga eléctrica si se conecta el cable de conexión de puesta a tierra incorrectamente. Consulte con un electricista certificado si tiene dudas respecto a la conexión de puesta a tierra del tomacorriente. No modifique el enchufe que se proporciona con la herramienta. Nunca retire la clavija de conexión de puesta a tierra del enchufe. No use la herramienta si el cable o el enchufe está dañado. Si está dañado antes de usarlo, llévelo a un centro de servicio **MILWAUKEE** para que lo reparen. Si el enchufe no se acopla al tomacorriente, haga que un electricista certificado instale un toma-corriente adecuado.

Herramientas con conexión a tierra:

Herramientas con enchufes de tres clavijas

Las herramientas marcadas con la frase "Se requiere conexión de puesta a tierra" tienen un cable de tres hilo y enchufes de conexión de puesta a tierra de tres clavijas. El enchufe debe conectarse a un tomacorriente debidamente conectado a tierra (véase la Figura A). Si la herramienta se averiara o no funcionara correctamente, la conexión de puesta a tierra proporciona un trayecto de baja resistencia para desviar la corriente eléctrica de la trayectoria

del usuario, reduciendo de este modo el riesgo de descarga eléctrica.

La clavija de conexión de puesta a tierra en el enchufe está conectada al sistema de conexión de puesta a tierra de la herramienta a través del hilo verde dentro del cable. El hilo verde debe ser el único hilo conectado al sistema de conexión de puesta a tierra de la herramienta y nunca se debe unir a una terminal energizada.

Su herramienta debe estar enchufada en un tomacorriente apropiado, correctamente instalado y conectado a tierra según todos los códigos y reglamentos. El enchufe y el tomacorriente deben asemejarse a los de la Figura A.

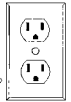


Fig. A

Herramientas con doble aislamiento: Herramientas con clavijas de dos patas

Las herramientas marcadas con "Doble aislamiento" no requieren conectarse "a tierra". Estas herramientas tienen un sistema aislante que satisface los estándares de OSHA y llena los estándares aplicables de UL (Underwriters Laboratories), de la Asociación Canadiense de Estándares (CSA) y el Código Nacional de Electricidad. Las herramientas con doble aislamiento pueden ser usadas en cualquiera de los toma corriente de 120 Volt mostrados en las Figuras B y C.

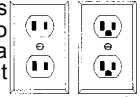


Fig. B Fig. C

EXTENSIONES ELECTRICAS

Las herramientas que deben conectarse a tierra cuentan con clavijas de tres patas y requieren que las extensiones que se utilicen con ellas sean también de tres cables. Las herramientas con doble aislamiento y clavijas de dos patas pueden utilizarse indistintamente con extensiones de dos a tres cables. El calibre de la extensión depende de la distancia que exista entre la toma de la corriente y el sitio donde se utilice la herramienta. El uso de extensiones inadecuadas puede causar serias caídas en el voltaje, resultando en pérdida de potencia y posible daño a la herramienta. La tabla que aquí se ilustra sirve de guía para la adecuada selección de la extensión. Mientras menor sea el número del calibre del cable, mayor será la capacidad del mismo. Por ejemplo, un cable calibre 14 puede transportar una corriente mayor que un cable calibre 16. Cuando use mas de una extensión para lograr el largo deseado, asegúrese que cada una tenga al menos, el mínimo tamaño de cable requerido. Si está usando un cable de extensión para mas de una herramienta, sume los amperes de las varias placas y use la suma para determinar el tamaño mínimo del cable de extensión.

Guías para el uso de cables de extensión

• Si está usando un cable de extensión en sitios al aire libre, asegúrese que está marcado con el

sufijo "W-A" ("W" en Canadá) el cual indica que puede ser usado al aire libre.

- Asegúrese que su cable de extensión está correctamente cableado y en buenas condiciones eléctricas. Cambie siempre una extensión dañada o hágala reparar por una persona calificada antes de volver a usarla.
- Proteja su extensión eléctrica de objetos cortantes, calor excesivo o areas mojadas.







Calibre mínimo recomendado para cables de extensiones eléctricas*

Amperios (En la placa)	Largo de cable de Extensión en (m)					
	7,6	12,2	22,8	30,4	45,7	60,9
0 - 5,0	16	16	16	14	12	12
5,1 - 8,0	16	16	14	12	10	--
8,1 - 12,0	14	14	12	10	--	--
12,1 - 15,0	12	12	10	10	--	--
15,1 - 20,0	10	10	10	--	--	--

* Basado en limitar la caída en el voltaje a 5 volts al 150% de los amperios.

**LEA Y GUARDE TODAS LAS
INSTRUCCIONES PARA FUTURAS
REFERENCIAS.**

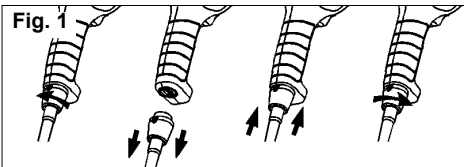
SIMBOLOGÍA

	Doble aislamiento
	Amperios
	Volts
	Corriente continua o alterna
n_0 XXXXmin. ⁻¹	No de revoluciones de carga por minuto (RPM)
	Underwriters Laboratories, Inc., Estados Unidos y Canadá
	Marca mejicana de la aprobación

ENSAMBLAJE DE LA HERRAMIENTA

⚠ ADVERTENCIA Para reducir el riesgo de una lesión, desconecte siempre la herramienta antes de fijar o retirar accesorios, o antes de efectuar ajustes. Utilice sólo los accesorios específicamente recomendados. El uso de otros accesorios puede ser peligroso.

Montaje y desmontaje del cable de cambio rápido Quik-Lok II® (Modelos seleccionados)
Para realizar el cambio o sustitución en forma inmediata en el área de trabajo, MILWAUKEE cuenta con los exclusivos cables Quik-Lok®.



1. Para desmontar el cable Quik-Lok®, gire la tuerca del cable 1/4 de vuelta hacia la izquierda y tire del cable hacia afuera.
2. Para montar el cable Quik-Lok®, alinee las marcas en el conector y presione el conector hacia adentro tanto como pueda. Luego gire la tuerca del cable 1/4 de vuelta hacia la derecha para fijarlo.

Instalación del mango lateral

El mango lateral puede colocarse encima de la caja de engranes o en cualquiera de los lados de la caja de engranes para uso con la mano izquierda o derecha. Coloque el mango en la ubicación que le ofrezca el mejor control y protección de cubierta. Para informarse sobre las zonas de operación que proporcionan la máxima protección para el operador, vea la Fig. 9. Para montarlo, enrosque el mango lateral en la entrada para el mango lateral en el lado deseado de la caja de engranes y aprételo firmemente.

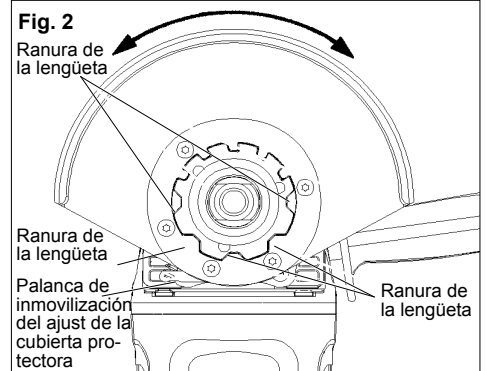
⚠ ADVERTENCIA Para reducir el riesgo de lesiones al esmerilar, utilice SIEMPRE la cubierta protectora adecuada. SIEMPRE instale la cubierta protectora de manera correcta.

Instalación, ajuste y remoción de la cubierta protectora (Modelos seleccionados)

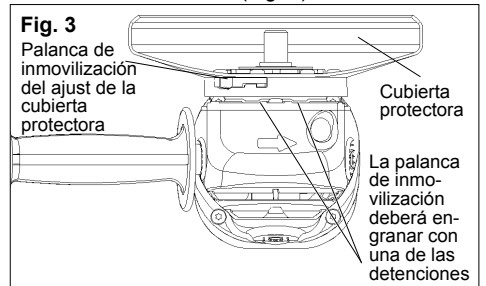
Se debe usar la cubierta protectora cuando se utiliza la herramienta como esmeriladora. La cubierta protectora se debe retirar cuando se utiliza la herramienta como lijadora.

1. Para instalar la cubierta protectora, desenchufe la herramienta y colóquela boca abajo sobre una superficie nivelada. Retire cualquier accesorio de la flecha.

Alinee las lengüetas con las ranuras de las lengüetas (Fig. 2). Luego, presione la cubierta en dirección a la herramienta.



Presione la palanca de inmovilización del ajuste de la cubierta protectora y gire ésta hacia una de las ranuras de detención. La palanca de inmovilización deberá engranar con una de las ranuras de detención (Fig. 3).



2. Para ajustar la cubierta protectora, presione la palanca de inmovilización del ajuste de la cubierta protectora y gire ésta hacia una de las ranuras de detención (Fig. 3).

Coloque la cubierta protectora en la ubicación que le ofrezca el mejor control y resguardo. Para informarse sobre las zonas de operación que proporcionan la máxima protección para el operador. Vea la Fig. 9.

3. Para retirar la cubierta protectora, desenchufe la herramienta y colóquela boca abajo sobre una superficie nivelada. Retire cualquier accesorio de la flecha.

Presione la palanca de inmovilización del ajuste de la cubierta protectora y gire ésta a fin de alinear las lengüetas con las ranuras (Fig. 2). Luego, levante y aleje la cubierta protectora de la herramienta.

OPERACION

⚠ ADVERTENCIA Para reducir el riesgo de lesiones, use gafas protectoras o espejuelos con protección lateral.

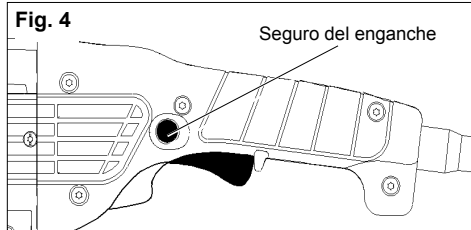
Encendido y paro del motor

1. Para **encender** la herramienta, tire del gatillo.
2. Para **detener** la herramienta, suelte el gatillo.

⚠ ADVERTENCIA Para reducir el riesgo de daños a la herramienta, no utilice el seguro de enganche de la flecha a modo de detener la flecha mientras la herramienta se encuentra en uso o marcha por inercia después de haber sido apagada.

Bloqueo del gatillo Modelos seleccionados

El seguro de enganche mantiene el gatillo en la posición ON (encendido) para uso continuo.



1. Para **bloquear** el gatillo, apriete el seguro de enganche mientras tira del gatillo. Suelte el gatillo.
2. Para **desbloquear** el gatillo, tire del gatillo y suéltelo. El seguro de enganche saltará.

⚠ ADVERTENCIA Para reducir el riesgo de lesiones, no opere la herramienta con el botón de liberación del mango presionado o con el mango fuera de posición. Si el mango no queda correctamente asegurado en su posición, no opere la herramienta. Devuelva la herramienta a un centro de servicio **MILWAUKEE** para una reparación inmediata.

Ajuste de la posición del mango Modelos seleccionados

Esta herramienta se encuentra equipada con un mango posterior ajustable. Esta característica le permite al usuario ajustar el ángulo del mango para alcanzar posiciones de esmerilado óptimas.



1. Desenchufe la herramienta.
2. Presione y sostenga el botón de liberación del mango, y gire el mango posterior hacia una de las nueve posiciones para el mango. La característica de mango ajustable incluye retenes que permiten que el mango enganche en su posición. Asegúrese de que el mango enganche firmemente en su posición.

Coloque la cubierta protectora en la ubicación que le ofrezca el mejor control y resguardo. Para informarse sobre las zonas de operación que proporcionan la máxima protección para el operador, vea la Fig. 9.

⚠ ADVERTENCIA Para reducir el riesgo de lesiones personales y daño a la herramienta, utilice **SOLAMENTE** accesorios con capacidad nominal igual o superior a los RPM listados en la sección "ADVERTENCIA" en la placa de la herramienta.

Selección del disco abrasivo y la rueda abrasiva

Use discos abrasivos y ruedas abrasivas que sean:

- del tamaño correcto según se indica en la placa de la herramienta
- el tipo de disco y grano adecuado para el trabajo a realizar
- de capacidad nominal igual o superior a los RPM listados en la sección "ADVERTENCIA" en la placa de la herramienta

Use respaldos, adaptadores y otros accesorios que sean:

- del tamaño correcto para la herramienta y para el disco abrasivo o la rueda abrasiva
- de capacidad nominal igual o superior a los RPM listados en la sección "ADVERTENCIA" en la placa de la herramienta
- el accesorio adecuado para el trabajo a realizar

Material de discos abrasivos y ruedas abrasivas

Los discos abrasivos y las ruedas abrasivas están compuestos de varios materiales y han sido diseñados para diferentes trabajos. Asegúrese de que ha seleccionado el disco abrasivo y la rueda abrasiva correcta para el trabajo que proyecta realizar.

⚠ ADVERTENCIA Para reducir el riesgo de lesiones, desenchufe siempre la herramienta antes de adjuntar o remover accesorios, o de hacer ajustes. Utilice sólo accesorios específicamente recomendados. El uso de otros accesorios podría resultar peligroso.

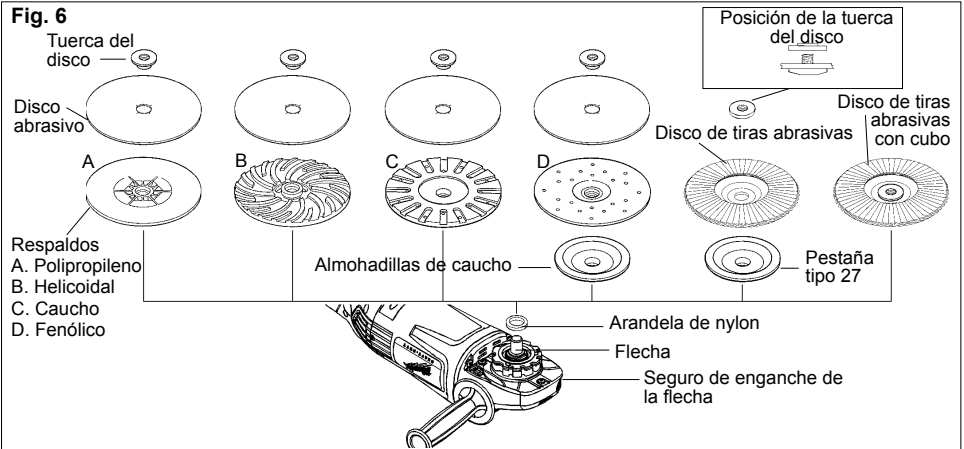
USO DE DISCOS ABRASIVOS

Instalación de discos abrasivos

1. Desenchufe la herramienta y colóquela boca abajo sobre una superficie nivelada. Retire cualquier accesorio de la flecha.
2. Enrosque la arandela de nylon en la flecha. Adjunte el respaldo en el disco abrasivo utilizando la Fig. 6 para determinar el tipo y orden del ensamblaje.

NOTA: Cuando instale el disco de tiras abradi-

3. Para apretarlo, presione el seguro de enganche de la flecha a la vez que gira la tuerca del disco en el sentido de las manecillas del reloj.
4. Para desmontar el disco abrasivo y el respaldo, desenchufe la herramienta e invierta el procedimiento.



Lijado

1. Fije el material sobre el que va a trabajar con pinzas o sujetadores de forma tal que pueda tener ambas manos libres para controlar la herramienta. Sujete firmemente el mango posterior y el mango lateral antes de iniciar el trabajo y durante la operación. Permita que el disco alcance su máxima velocidad antes de iniciar el trabajo.
2. Sostenga la herramienta en un ángulo entre 5° y 15° para asegurar una presión y un control de lijado correctos (Fig. 7). Un ángulo superior al especificado ocasionará demasiada presión y desgaste excesivo tanto del disco como de la pieza de trabajo. Un ángulo inferior al especificado reducirá el control de la herramienta.



3. Lije con pasadas largas y rítmicas, de lado a lado, avanzando hacia adelante para producir el acabado deseado.

Remoción de marcas de martillo soldadura

Al remover marcas de martillo o soldadura, limite el lijado grueso a las áreas inmediatas. Posteriormente, utilice granos finos para emparejar la superficie.

Lijado cruzado

Cuando vaya a realizar el acabado de una superficie que ha sido preparada con una rueda o disco de grano grueso, lije en ángulo recto a las marcas realizadas por el disco de grano más grueso. Las marcas producidas por el lijado o anterior se pueden ver y remover fácilmente para lograr un acabado uniforme. Si no lleva a cabo el lijado cruzado cuando cambia de disco de grano grueso a disco para acabado, podría ocasionar ralladuras profundas y marcas circulares.

Acabado en metal

Haga movimientos constantes a través de la superficie. Trabaje con mayor rapidez en las superficies curvas, donde las áreas de contacto son menores y la presión es mayor. Al final de la pasada podrían aparecer áreas planas si la presión es muy alta. Reduzca la presión al final de cada pasada y cuando haga pasadas en reversa.

Solución a los problemas

Las ralladuras profundas y las marcas circulares pueden deberse al:

- Uso de grano muy grueso
- Uso de disco parcialmente cristalizado
- Polvo o rebabas sueltas en la pieza de trabajo
- No lijar en forma cruzada, a través del grano, cuando se cambió de disco de grano grueso a disco para acabado

Cuando la superficie de metal se torna azulosa, esto indica:

- Exceso de calor ocasionado por movimientos circulares en áreas demasiado pequeñas
- Exceso de presión
- Uso de discos cristalizados o gastados

Selección de discos abrasivos y granos

Consulte la tabla a continuación para seleccionar el tipo de disco adecuado para su trabajo. En forma general, utilice grano 16, 24 ó 36 para remoción de material en bruto grueso; grano 50, 60 ó 80 para remoción de material en bruto de dureza media, y grano 120 para acabados. Comience siempre con un grano grueso, y posteriormente, utilice granos más finos para obtener el acabado deseado. Consulte el catálogo para ver una lista completa de discos abrasivos **MILWAUKEE**.

Oxido de aluminio	Aluminio y Circona de doble corte	Cerámica
Para discos de desbaste rápido y aplicaciones generales en la mayoría de las operaciones en metal. Ideal para acero laminado en frío, acero inoxidable o metales que requieran abrasivos férricos, de larga vida útil y desbaste rápido.	Su diseño especial de grano está dispuesto en grupos para una remoción y limpieza más rápida del material en bruto. Ideal para remover pintura de autos, botes, etc. sin posibilidad de obstrucción.	Su vida útil es hasta 3 veces mayor que la de los discos de óxido de aluminio. Ideales para aplicaciones generales en metal y para trabajos difíciles.

USO DE RUEDAS ABRASIVAS Y RUEDAS DE CORTE

Instalación de ruedas abrasivas

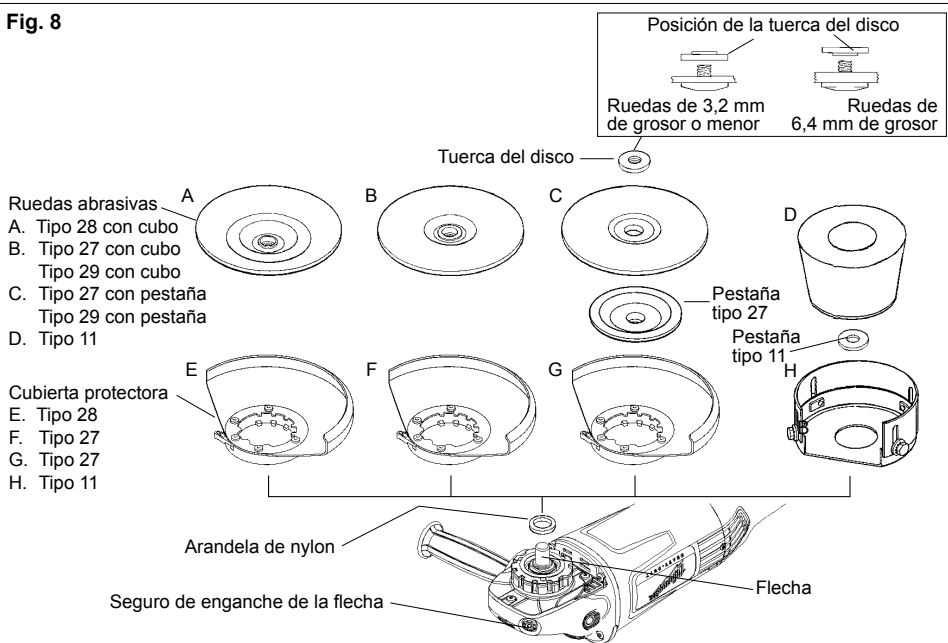
- Desenchufe la herramienta y colóquela boca abajo sobre una superficie nivelada. Retire cualquier accesorio de la flecha.
- Enrosque la arandela de nylon en la flecha. Adjunte la cubierta protectora y la rueda abrasiva utilizando la Fig. 8 para determinar el tipo y orden del ensamblaje (Vea la Fig. 2 y 3 para instrucciones sobre cómo adjuntar la cubierta protectora).

NOTA: Cuando instale ruedas abrasivas tipo 27 o tipo 29, coloque la tuerca del disco de acuerdo al grosor de la rueda.

Coloque la cubierta protectora en la ubicación que le ofrezca el mejor control y resguardo.

- Para informarse sobre las zonas de operación que proporcionan la máxima protección para el operador, Vea la Fig. 9. **NOTA:** Cuando seleccione ruedas abrasivas de cubeta tipo 11, el borde de la cubierta protectora deberá ser ajustado de manera que, como máximo, 3,2 mm de la rueda se extienda más allá de la cubierta protectora.
- Para apretarlo, presione el seguro de enganche de la flecha a la vez que gira la rueda o la tuerca del disco en el sentido de las manecillas del reloj con la llave inglesa suministrada.
- Para desmontar el disco abrasivo y el respaldo, desenchufe la herramienta e invierta el procedimiento.

Fig. 8



ADVERTENCIA Para reducir el riesgo de lesiones, deberá instruirse al operario en el uso, cuidados y protección de los discos abrasivos.

Cuidado de las ruedas abrasivas y las ruedas de corte

Las ruedas abrasivas y las ruedas de corte deben protegerse de:

- humedad y humedad extrema
- cualquier tipo de solvente

- cambios extremos de temperatura
- caídas y golpes

Las ruedas abrasivas y las ruedas de corte deben guardarse:

- de manera organizada de forma tal que puedan tomarse sin perturbar o dañar otras ruedas
- con su información de seguridad

Las ruedas abrasivas y las ruedas de corte NO deben:

- dejarse caer
- rodarse
- golpearse

Si alguna rueda se deja caer, se rueda, se golpea, se somete a cambios extremos de temperatura, o ha entrado en contacto con solventes o humedad, deséchela de inmediato.

Solución de problemas

Las ralladuras profundas y las marcas circulares pueden deberse a:

- Presión irregular
- Uso de un disco parcialmente cristalizado - especialmente en aplicaciones en aluminio
- Polvo o rebabas sueltas en la pieza de trabajo
- No hacer movimientos constantes a través de la superficie

Cuando la superficie de metal se torna azulosa, esto indica:

- Exceso de calor ocasionado por movimientos circulares en áreas demasiado pequeñas
- Exceso de presión
- Uso de discos cristalizados o gastados

Revisión de las ruedas

Maneje siempre las ruedas con cuidado para evitar dañarlas. Antes de instalarlas, revíselas para comprobar que no tengan grietas. Si están agrietadas, deséchelas para evitar que otras personas las usen.



ADVERTENCIA Utilice solamente los discos con una velocidad máxima para una operación segura con capacidad nominal igual o superior a los RPM listados en la sección “ADVERTENCIA” en la placa de la herramienta. Esta velocidad se basa en la resistencia de la rueda y permite una medida de seguridad razonable. Esto no implica que esta velocidad sea mejor u óptima. No exceda la velocidad máxima para una operación segura.

Selección de ruedas

Esmerilar es la acción de cortar con miles de granos abrasivos que se encuentran en la cara de una rueda abrasiva. Cuando esmerile metales, tales como hierro y acero, seleccione una rueda abrasiva de óxido de aluminio. Cuando esmerile piedra o concreto, utilice una rueda abrasiva de carburo de silicio. Utilice ruedas reforzadas de algodón para trabajos en metales no féreos.

Las ruedas de corte reforzadas tipo 27 de 3,2 mm son ideales para operaciones de corte y de acanalado solamente.



ADVERTENCIA Para reducir el riesgo de lesiones al esmerilar:

- Sostenga SIEMPRE la herramienta firmemente con ambas manos y utilice los mangos proporcionados, antes y durante el esmerilado.
- NUNCA permita que la rueda se atasque.
- NUNCA utilice una rueda que se haya dejado caer.
- NUNCA golpee la rueda abrasiva contra la pieza de trabajo.
- NUNCA esmerile sin contar primero con el equipo de seguridad correcto.

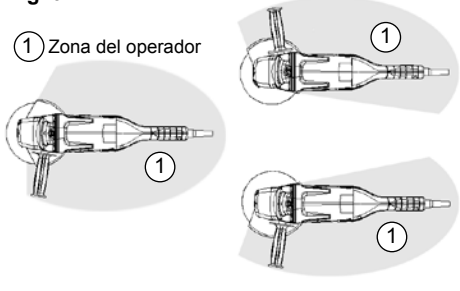


ADVERTENCIA Para reducir el riesgo de lesiones al esmerilar, utilice SIEMPRE la cubierta protectora adecuada. SIEMPRE instale la cubierta protectora de manera correcta.

Esmerilado

1. Según el trabajo a ser realizado, coloque el protector para que este proporcione la máxima protección al operador cómo se muestra (Fig. 9).

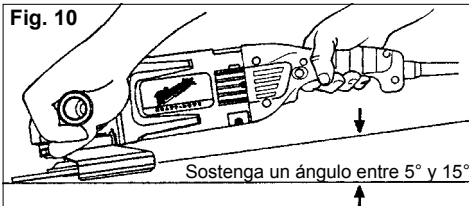
Fig. 9



2. Si usted acaba de instalar una rueda abrasiva o está a punto de comenzar un trabajo, pruebe el disco dejándolo girar por espacio de un minuto antes de aplicarlo sobre la pieza de trabajo.

NOTA: Cuando las ruedas se hallan desbalanceadas, pueden estropear la pieza de trabajo, dañar la herramienta, causar la fatiga de la rueda y provocar que ésta falle.
3. Sujete firmemente el mango posterior y el mango lateral antes de comenzar y mientras utiliza la herramienta. Permita que la rueda alcance su máxima velocidad antes de iniciar el trabajo.
4. Cuando esmerile, sujete la herramienta en un ángulo entre 5° y 15° según se muestra, ejerciendo una presión constante para un acabado uniforme (Fig. 10). Un ángulo superior al especificado ocasionará la concentración de presión en áreas pequeñas, lo que se traduce en daños al material o quemaduras en la superficie de trabajo.

Fig. 10



- Control pressure and surface contact between wheel and workpiece. Too much pressure slows cutting speed.

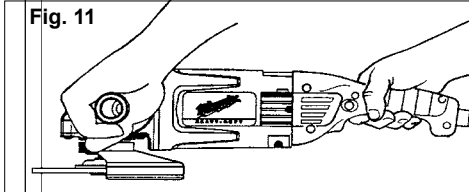
⚠ ADVERTENCIA Se debe instalar una cubierta protectora tipo 27 cuando utilice una rueda de corte tipo 27 a fin de proporcionarle al operador un resguardo máximo en caso que la rueda se rompa.

Usando discos de corte tipo 27

Los discos reforzados tipo 27 son ideales para operaciones de corte y de acanalado solamente.

- Sujete firmemente el mango posterior y el mango lateral antes de comenzar y mientras utiliza la herramienta. Permita que el disco alcance su máxima velocidad antes de iniciar el trabajo.
- Cuando utilice una rueda de corte, sujete la herramienta según se muestra, utilizando solamente el borde de la rueda (Fig. 11).

Fig. 11

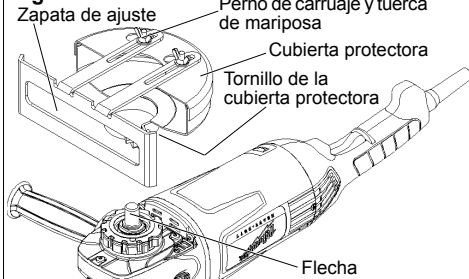


- Controle la presión y el contacto entre la rueda y la pieza de trabajo. Una presión excesiva disminuye la velocidad de corte.

⚠ ADVERTENCIA Se debe instalar una cubierta protectora tipo 1 cuando utilice una rueda de corte tipo 1 a fin de proporcionarle al operador un resguardo máximo en caso que la rueda se rompa.

Instalación y remoción del ensamblaje de la cubierta protectora tipo 1 y zapata de ajuste

Fig. 12



- Desenchufe la herramienta y colóquela boca abajo sobre una superficie nivelada. Retire cualquier accesorio de la flecha.
- Afloje el tornillo de la cubierta protectora y deslice ésta sobre la flecha.

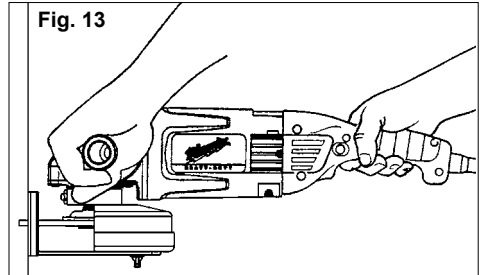
Coloque la cubierta protectora en la ubicación que le ofrezca el mejor control y protección de cubierta. Para informarse sobre las zonas de operación que proporcionan la máxima protección para el operador, vea la Fig. 9. Apriete el tornillo de la cubierta protectora firmemente.

- Para ajustar la cubierta protectora, desenchufe la herramienta, afloje el tornillo de la cubierta protectora, gire ésta hacia la posición deseada y vuelva a apretar el tornillo de la cubierta protectora.
- Para retirar la zapata de ajuste, afloje las tuercas de mariposa, deslice hacia los orificios de acceso y levante. Para instalar la zapata de ajuste, inserte la cabeza de los pernos de carruaje en los orificios de acceso de la cubierta protectora, deslice hacia el extremo distante de las ranuras, ajuste la zapata a la posición deseada y apriete la tuerca de mariposa firmemente.
- Para retirar la cubierta protectora, desenchufe la herramienta, retire los accesorios e invierta el procedimiento.

Uso de las ruedas de corte tipo 1

- Sujete firmemente el mango posterior y el mango lateral antes de comenzar y mientras utiliza la herramienta. Permita que el disco alcance su máxima velocidad antes de iniciar el trabajo.
- Cuando utilice una rueda de corte, sujete la rueda según se muestra, utilizando solamente el borde de la rueda (Fig. 13).

Fig. 13



- Controle la presión y el contacto entre la rueda y la pieza de trabajo. Una presión excesiva disminuye la velocidad de corte.

⚠ ADVERTENCIA Para reducir el riesgo de lesiones, nunca utilice una rueda de corte tipo 1 para esmerilar superficies.

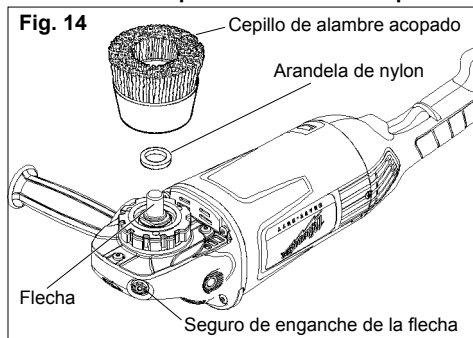
USANDO DE CEPILLOS DE ALAMBRE

Selección de cepillos de alambre

Los cepillos de alambre son útiles para remover óxido, incrustaciones, rebabas, escorias de soldadura, etc. Se dispone de una amplia variedad de cepillos de alambre para diferentes aplicaciones.

⚠ ADVERTENCIA Toda persona que se encuentre en el área de trabajo deberá usar gafas y vestimenta protectora o protección para la cara. Los alambres con cierto grado de fatiga y los residuos podrían salir disparados del cepillo con una fuerza considerable y posiblemente ocasionar lesiones graves.

Instalación de cepillos de alambre acopados



1. Desenchufe la herramienta y colóquela boca abajo sobre una superficie nivelada. Retire cualquier accesorio de la flecha.

NOTA: Nunca utilice una cubierta protectora con un cepillo de alambre acopado.

2. Enrosque la arandela de nylon en la flecha. Adjunte el cepillo de alambre acopado y la flecha.
3. Presione el seguro de enganche de la flecha mientras aprieta el cepillo con una llave (no se incluye con la herramienta).
4. Para retirar el cepillo de alambre acopado, desenchufe la herramienta e invierta el procedimiento.

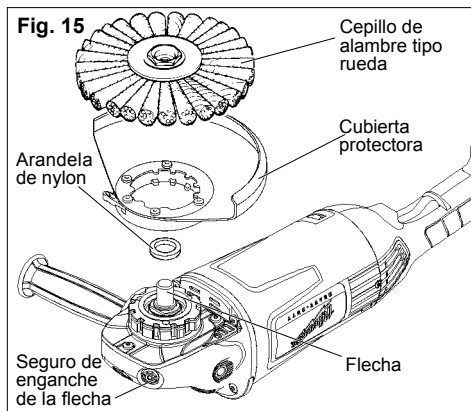
⚠ ADVERTENCIA Dado que los alambres en los cepillos de alambre tipo rueda quedan orientados hacia el operador, se debe utilizar una cubierta protectora tipo 27 a fin de proteger al operador cuando los alambres con cierto grado de fatiga se rompan.

Instalación de los cepillos de alambre tipo rueda

1. Desenchufe la herramienta y colóquela boca abajo sobre una superficie nivelada. Retire cualquier accesorio de la flecha.
2. Enrosque la arandela de nylon en la flecha. Adjunte la cubierta protectora y el cepillo de alambre tipo rueda en la flecha (Vea la Fig. 2 y 3 para instrucciones sobre cómo adjuntar la cubierta protectora). Coloque la cubierta protectora en la ubicación que le ofrezca el mejor control y protección de cubierta. Para informarse so-

bre las zonas de operación que proporcionan la máxima protección para el operador, vea la Fig. 9.

3. Presione el seguro de enganche de la flecha mientras aprieta el cepillo con una llave (no se incluye con la herramienta).
4. Para retirar el cepillo de alambre tipo rueda y la cubierta protectora, desenchufe la herramienta e invierta el procedimiento.




Uso de los cepillos de alambre

1. No lleve puesta vestimenta holgada cuando utilice los cepillos de alambre. Los alambres podrían quedar atrapados en este tipo de vestimenta y tirar de la misma hacia las partes en movimiento.
2. Sujete firmemente el mango posterior y el mango lateral antes de comenzar y mientras utiliza la herramienta. Siempre examine el cepillo de alambre para probar su balance y detectar la presencia de alambres sueltos o defectuosos, operando la herramienta a una velocidad sin carga por espacio de un minuto antes de utilizar con la pieza de trabajo.
3. Cuando utilice el cepillo con la pieza de trabajo, evite ejercer demasiada presión. Esto ocasiona la sobreflexión de los alambres y acumulación de calor, dando como resultado el rompimiento prematuro de los alambres, un desgaste rápido y una menor vida útil del cepillo.

En lugar de ejercer mayor presión, intente con un cepillo de alambre tipo rueda con una acción de corte más agresiva (alambres de mayor tamaño, alambres de menor longitud u otro tipo de cepillo, por ejemplo, cepillo tipo anudado en lugar de cepillo tipo rizado).


⚠ ADVERTENCIA Nunca exceda la velocidad máxima de operación del cepillo. No utilice cepillos dañados o que funcionen inadecuadamente (que lancen partículas o estén desbalanceados). Estas condiciones aumentan el riesgo de una falla posterior mayor y una posible lesión. Deseche y reemplace los cepillos dañados de inmediato.

ACCESORIOS

 **ADVERTENCIA** Para reducir el riesgo de lesiones, siempre desconecte la herramienta antes de cambiar o retirar accesorios. Utilice únicamente accesorios específicamente recomendados para esta herramienta. El uso de accesorios no recomendados podría resultar peligroso.

Para una lista completa de accesorios, refiérase a su catálogo *MILWAUKEE* Electric Tool o visite nuestro sitio en Internet: www.milwaukeetool.com. Para obtener un catálogo, contacte su distribuidor local o uno de los centros de servicio.

MANTENIMIENTO


 **ADVERTENCIA** Para reducir el riesgo de lesiones, desconecte siempre la herramienta antes de darle cualquier mantenimiento. Nunca desarme la herramienta ni trate de hacer modificaciones en el sistema eléctrico de la misma. Acuda siempre a un Centro de Servicio *MILWAUKEE* para TODAS las reparaciones.

Mantenimiento de las herramientas

Adopte un programa regular de mantenimiento y mantenga su herramienta en buenas condiciones. Antes de usarla, examine las condiciones generales de la misma. Inspeccione guardas, interruptores, el cable de la herramienta y el cable de extensión. Busque tornillos sueltos o flojos, defectos de alineación y dobleces en partes móviles, así como montajes inadecuados, partes rotas y cualquier otra condición que pueda afectar una operación segura. Si detecta ruidos o vibraciones anormales, apague la herramienta de inmediato y corrija el problema antes de volver a usarla. No utilice una herramienta dañada. Colóquela en una etiqueta que diga "NO DEBE USARSE" hasta que sea reparada (vea "Reparaciones").

Bajo condiciones normales, no se requiere lubricación hasta que haya que cambiar los carbones. Después de 6 meses a un año, dependiendo del uso dado, envíe su herramienta al Centro de Servicio *MILWAUKEE* más cercano para que le hagan:

- Lubricación
- Inspección y cambio de carbones
- Inspección mecánica y limpieza (engranes, flechas, baleros, carcarza, etc.)
- Inspección eléctrica (interruptor, cable, armadura, etc)
- Probarla para asegurar una operación mecánica y eléctrica adecuada.

 **ADVERTENCIA** Para reducir el riesgo de lesiones, descarga eléctrica o daño a la herramienta, nunca la sumerja en líquidos ni permita que estos fluyan dentro de la misma.

Limpieza

Limpie el polvo y suciedad de las ventilas. Mantenga las empuñaduras de la herramienta limpias, secas y libres de aceite y grasa. Use sólo jabón neutro y un trapo húmedo para limpiar su herramienta ya que algunas sustancias y disolventes limpiadores pueden ocasionar daños a materiales plásticos y partes aislantes. Algunos de estos incluyen: gasolina, trementina, diluyente para barniz, diluyente para pintura, disolventes limpiadores clorados, amoníaco, y detergentes caseros que contengan amoníaco.

Reparaciones

Si su instrumento se daña, vuelva el instrumento entero al más cercano centro de reparaciones.

GARANTÍA LIMITADA - E.U.A. Y CANADA

Se garantiza al comprador original que ninguna de las herramientas eléctricas MILWAUKEE (incluido el producto inalámbrico, la herramienta y las baterías; consulte las declaraciones distintas y por separado en GARANTÍA LIMITADA DEL PAQUETE DE BATERÍAS INALÁMBRICAS y de las luces de trabajo y del cargador de baterías*) presentan defectos en material ni en mano de obra. En un plazo de cinco (5) años* a partir de la fecha de compra y sujeto a ciertas excepciones, MILWAUKEE reparará o reemplazará cualquier parte de una herramienta eléctrica que, luego de ser examinada, MILWAUKEE compruebe que presenta defectos en material o mano de obra, a menos que se indique lo contrario. Se requiere la devolución de la herramienta eléctrica a un centro de mantenimiento de la fábrica MILWAUKEE o a un centro de reparaciones autorizado por MILWAUKEE, con gastos de envío prepagados y asegurados. La devolución del producto debe estar acompañada por un comprobante de compra. Esta garantía no se aplica a los daños que MILWAUKEE establece que fueron ocasionados por reparaciones o intentos de reparación por parte de personal no autorizado por MILWAUKEE, uso indebido, alteraciones, abuso, desgaste y deterioro normal, falta de mantenimiento o accidentes.

*El período de garantía de las radios para obras, del puerto de alimentación M12™, Fuente de poder M18™, y de las carretillas de trabajo industrial Trade Titan™ es de un (1) año a partir de la fecha de compra. El período de garantía de la lámpara de trabajo con diodo luminiscente y del foco mejorado con diodo luminiscente es una garantía VITALICIA limitada para el comprador original únicamente. Si durante el uso normal el foco de diodo luminiscente no funciona, la lámpara de trabajo o el foco mejorado se reemplazará sin carga.

*Esta garantía no cubre las clavadoras aéreas, las engrapadoras, el rociador de pintura inalámbrico, el paquete de baterías inalámbrico, los generadores eléctricos portátiles que funcionan con gasolina, herramientas manuales, elevadores (eléctricos, con palanca y con cadenas manuales), camisas de calefacción M12™, productos reacondicionados y productos de prueba y medición. Se encuentran disponibles garantías distintas para estos productos.

No se necesita registro de garantía para obtener la garantía correspondiente de un producto eléctrico MILWAUKEE. La fecha de fabricación del producto se utilizará para determinar el período de garantía si no se presenta un comprobante de compra en el momento en que se solicita el servicio de garantía.

LA ACEPTACIÓN DE LOS DERECHOS A REPARACIÓN Y REEMPLAZO EXCLUSIVAMENTE DESCRITOS EN EL PRESENTE DOCUMENTO CONSTITUYE UNA CONDICIÓN DEL CONTRATO POR LA COMPRA DE CADA PRODUCTO MILWAUKEE. SI NO ACEPTA ESTA CONDICIÓN, NO DEBE COMPRAR EL PRODUCTO. MILWAUKEE NO SERÁ EN NINGÚN CASO RESPONSABLE DE DAÑOS INCIDENTALES, ESPECIALES, CONSECUENTES O PUNITIVOS, NI DE COSTOS, HONORARIOS DE ABOGADOS, GASTOS, PERDIDAS O DEMORAS SUPUESTAMENTE CAUSADOS COMO CONSECUENCIA DE CUALQUIER DAÑO, FALLA O DEFECTO EN CUALQUIER PRODUCTO, INCLUIDOS, A MODO DE EJEMPLO, RECLAMOS POR PÉRDIDA DE GANANCIAS. ALGUNOS ESTADOS NO PERMITEN LA EXCLUSIÓN O LA LIMITACIÓN DE DAÑOS INCIDENTALES O CONSECUENTES, POR LO TANTO, LAS LIMITACIONES Y EXCLUSIONES ANTERIORES PUEDEN NO APLICARSE PARA USTED. ESTA GARANTÍA ES EXCLUSIVA Y SUSTITUYE A TODAS LAS OTRAS GARANTÍAS EXPRESAS, ESCRITAS U ORALES. SEGÚN LO PERMITA LA LEY, MILWAUKEE SE EXIME DE TODA GARANTÍA IMPLÍCITA, INCLUIDOS, A MODO DE EJEMPLO, TODA GARANTÍA IMPLÍCITA DE COMERCIABILIDAD O IDONEIDAD PARA UN USO O PROPOSITO EN PARTICULAR; EN LA MEDIDA EN QUE DICHA RENUNCIA NO ESTÉ PERMITIDA POR LA LEY, DICHAS GARANTÍAS IMPLÍCITAS ESTÁN LIMITADAS A LA DURACIÓN DE LA GARANTÍA EXPRESA APLICABLE SEGÚN SE DESCRIBE ANTERIORMENTE. ALGUNOS ESTADOS NO PERMITEN LIMITACIONES EN LA DURACIÓN DE UNA GARANTÍA IMPLÍCITA. POR LO TANTO, LA LIMITACIÓN ANTERIOR PUEDE NO APLICARSE PARA USTED. ESTA GARANTÍA LE OTORGA DERECHOS LEGALES ESPECÍFICOS Y TAMBIÉN PUEDE TENER OTROS DERECHOS QUE VARIAN DE ESTADO EN ESTADO.

Esta garantía se aplica a los productos vendidos en los EE. UU. y Canadá.

Consulte 'Service Center Search' (Búsqueda de centro de servicio' en la sección Parts & Services (Piezas y servicios) del sitio web MILWAUKEE, www.milwaukeetool.com o llame al 1.800.SAWDUST (1.800.729.3878) para encontrar su Centro de Servicio de la fábrica de MILWAUKEE más cercano.

PÓLIZA DE GARANTÍA - VALIDA SOLO PARA MÉXICO, AMÉRICA CENTRAL Y EL CARIBE

TECHTRONIC INDUSTRIES., garantiza por 5 años este producto a partir de la fecha original de compra.

Esta garantía cubre cualquier defecto que presenten las piezas, componentes y la mano de obra contenidas en este producto Para América Central y el Caribe se debe confirmar en el Centro de Servicio Autorizado el plazo de la garantía. Para hacer efectiva la Garantía deberá presentar al Centro de Servicio Autorizado la Póliza de Garantía sellada por el establecimiento en donde adquirió el producto. Si no la tienen, podrá presentar el comprobante de compra original. Usted puede llamar sin costo al teléfono 01 800 832 1949 o por correo electrónico a la dirección "servicio@ttigroupna.com", para ubicar el Centro de Servicio Autorizado más cercano a su domicilio, en el cual además podrá adquirir partes, componentes, consumibles y accesorios, que usted necesite.

Procedimiento para hacer válida la garantía

Acuda al Centro de Servicio con el producto y la póliza de garantía sellada por el establecimiento donde realizó la compra. Ahí se reemplazará cualquier pieza o componente defectuoso sin cargo alguno para el usuario final. La empresa se hace responsable de los gastos de transportación razonablemente erogados que se deriven del cumplimiento de la presente garantía.

Excepciones

La garantía perderá validez en los siguientes casos:

- Quando el producto se hubiese utilizado en condiciones distintas a las normales.
- Quando el producto no hubiese sido operado de acuerdo con el instructivo de uso que le acompaña.
- Quando el producto hubiese sido alterado o reparado por personas no autorizadas por TECHTRONIC INDUSTRIES.

Nota: Si el cordón de alimentación es dañado, este debe ser reemplazado por el fabricante o por un Centro de Servicio Autorizado para evitar riesgo.

Modelo: _____

Fecha de Compra: _____

Sello del Distribuidor: _____

CENTRO DE SERVICIO Y ATENCIÓN A CLIENTES
Av Presidente Mazarik 29 Piso 7, 11570 Chapultepec Morales
Miguel Hidalgo, Distrito Federal, Mexico
Tel. 52 55 4160-3547

IMPORTADO Y COMERCIALIZADO POR:
TECHTRONIC INDUSTRIES MEXICO, .S.A. DE C.V.
Av Presidente Mazarik 29 Piso 7, 11570 Chapultepec Morales
Miguel Hidalgo, Distrito Federal, Mexico

UNITED STATES MILWAUKEE Service

MILWAUKEE prides itself in producing a premium quality product that is NOTHING BUT HEAVY DUTY®. Your satisfaction with our products is very important to us! If you encounter any problems with the operation of this tool, or you would like to locate the factory Service/Sales Support Branch or *authorized service station* nearest you, please call...

Additionally, we have a nationwide network of *authorized* Distributors ready to assist you with your tool and accessory needs. Check your "Yellow Pages" phone directory under "Tools-Electric" for the names & addresses of those nearest you or see the 'Where To Buy' section of our website.

1-800-SAWDUST

(1.800.729.3878)

Monday-Friday
7:00 AM - 6:30 PM
Central Time
or visit our website at

www.milwaukeetool.com

For service information, use the 'Service Center Search' icon found in the 'Parts & Service' section.

Contact our Corporate After Sales Service Technical Support about ...

- Technical Questions
- Service/Repair Questions
- Warranty

call: 1-800-SAWDUST

fax: 1.800.638.9582

email: metproductsupport@milwaukeetool.com

Register your tool online at www.milwaukeetool.com and...

- receive important notifications regarding your purchase
- ensure that your tool is protected under the warranty
- become a HEAVY DUTY club member

CANADA - Service MILWAUKEE

MILWAUKEE prides itself in producing a premium quality product that is NOTHING BUT HEAVY DUTY®. Your satisfaction with our products is very important to us!

If you encounter any problems with the operation of this tool, or you would like to locate the factory Service/Sales Support Branch or *authorized service station* nearest you, please call...

1.800.268.4015

Monday – Friday 7:00 – 4:30 CST

fax: 866.285.9049

Milwaukee Electric Tool (Canada) Ltd

140 Fernstaff Court, Unit 4 18129 111 Avenue NW
Vaughan, ON L4K 3L8 Edmonton, AB T5S 2P2

Additionally, we have a nationwide network of *authorized* Distributors ready to assist you with your tool and accessory needs. Call 1.800.268.4015 to find the names and addresses of the closest retailers or consult "Where to buy" on our Web site www.milwaukeetool.com

MILWAUKEE est fier de proposer un produit de première qualité NOTHING BUT HEAVY DUTY®. Votre satisfaction est ce qui compte le plus!

En cas de problèmes d'utilisation de l'outil ou pour localiser le centre de service/ventes ou le *centre d'entretien* le plus proche, appelez le...

1.800.268.4015

Lundi – Vendredi 7:00 – 4:30 CST

fax: 866.285.9049

Milwaukee Electric Tool (Canada) Ltd

140 Fernstaff Court, Unit 4 18129 111 Avenue NW
Vaughan, ON L4K 3L8 Edmonton, AB T5S 2P2

Notre réseau national de distributeurs *agréés* se tient à votre disposition pour fournir l'aide technique, l'outillage et les accessoires nécessaires. Composez le 1.800.268.4015 pour obtenir les noms et adresses des revendeurs les plus proches ou bien consultez la section «Où acheter» sur notre site web à l'adresse www.milwaukeetool.com

MEXICO - Soporte de Servicio MILWAUKEE

CENTRO DE ATENCIÓN A CLIENTES

Av Presidente Mazarik 29 Piso 7

11570 Chapultepec Morales

Miguel Hidalgo, Distrito Federal, Mexico

Telefono 52 55 4160-3547

e-mail: servicio@ttigroupna.com

Adicionalmente, tenemos una red nacional de distribuidores autorizados listos para ayudarle con su herramienta y sus accesorios. Por favor, llame al 01 800 832 1949 para obtener los nombres y direcciones de los más cercanos a usted, o consulte la sección 'Where to buy' (Dónde comprar) de nuestro sitio web en

www.ttigroupmexico.com

Registre su herramienta en línea, en www.ttigroupmexico.com y...

- reciba importantes avisos sobre su compra
- asegúrese de que su herramienta esté protegida por la garantía
- conviértase en integrante de Heavy Duty

MILWAUKEE ELECTRIC TOOL CORPORATION
13135 West Lisbon Road • Brookfield, Wisconsin, U.S.A. 53005